

ADVANCED HIGH CEILING
DUO 4 - Mini



Elegant Up and Downlight Luminaire

The DUO is an elegant up/down pendant from Meteor that has a power-cord free design. With dual switching, tunable white and RGB uplight compatibility, this is a contemporary pendant embedded with brilliant technology and versatility.

Quantity	Type
Projec	Note

Electrical System

- 2500 lm (30W) Uplight: 15W / Downlight: 15W
- Power Input: Universal (120-277V)
- Operating Temperature: -13°F~104°F
- Surge Protection: 2.5KV
- Power Factor Greater than 0.9

LED Technology

- 2700K, 3000K, 3500K, 4000K
- 85 CRI, 93 CRI
- Beam Angle:
 Down: 35°, 45°, 60°, WD
 Up: 35°, 45°, 60°, WD
- UGR ≤19
- Rated Life > 60,000 Hours (L70)

Advanced Dimming

(Proprietary VX Driver is incorporated to all dimming options for video flicker-free lighting)

- **Non-Dimming**
- **DMX:** high resolution dims to 0.1%
 (Supports ANSI E1.20 RDM protocol)
- **Superior 0-10V:** dims to 1%
- **LTE:** Hi-Lume 1% 2-wire LED Driver (120V forward phase only)
- **LDE1:** Hi-Lume 1% EcoSystem LED Driver with Soft-on,
 Fade-to-Black (UNV only)

Housing

- Diameter: 4.8" (122mm)
- Height: 9" (228mm)
- Material: Aluminum
- Weight: 7.5 lbs
- Canopy Height: 2.95"

Mounting

- Power Line Mount 2ft, 4ft, 6ft, 8ft, 10ft with High Lumen Power Suspension (Canopy Height: 2.95")
- Power Line Mount 2ft, 4ft, 6ft, 8ft, 10ft with High Lumen Power Suspension and Remote Power (Canopy Height: 0.84")
- Remote Emergency Pack

Warranty

- 5-year limited warranty

Listing

- ETL Listed



DUO 4 - Mini



How to Specify:

Ordering Example: DUO4M-30-408-U-DMX-6035-B-PL6



4-5 weeks lead time on over 75% of specifications.

Model	Wattage	CCT / CRI	Voltage	Dimming
DUO4M			UNV	
DUO4M DUO4 Mini	30 Downlight: 15W Uplight: 15W	278 2700K / CRI85 308 3000K / CRI85 358 3500K / CRI85 408 4000K / CRI85 279 2700K / CRI93 309 3000K / CRI93 359 2500K / CRI93	U 120-277V	NOD Non-Dimming STV Superior 0-10V dims to 10% SPV Superior 0-10V dims to 1% LTE Hi-Lume 1% 2-wire LED Driver (120V forward phase only) LDE1 Hi-Lume 1% EcoSystem LED Driver with Soft-on, Fade-to-Black (UNV only) DMX DMX dims to 0.1% (XLR Sockets)
<small>NOTE: All dimming options controls Uplight and Downlight Together.</small>				

Beam Angle

Finish

Mounting

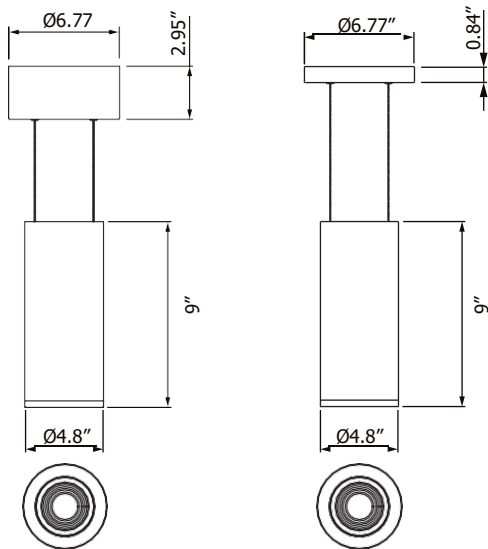
Downlight		Uplight		Finish		Mounting	
15	15°	35	35°	B	Black	PL2	(2 or 4 or 6 or 8 or 10) Power Line Mount
25	25°	60	60°	W	White	PL2RM	(2 or 4 or 6 or 8 or 10) Power Line Mount Remote Power
35	35°	*WD	WIDE			EMP	Remote Emergency Pack
60	60°			B			
*WD	WIDE			W			
<small>*Please factor in-20% lumen output with diffuser.</small>							

Delivered Lumens*

CCT \ Wattage	30W	
	UP (15W)	DOWN (15W)
4000K	1250 lm	1250 lm
3500K	1195 lm	1195 lm
3000K	1160 lm	1160 lm
2700K	1110 lm	1110 lm

*Tolerance ± 8%

Dimensions



With Remote Power
(Remoted length can be 50ft max.)

ADVANCED HIGH CEILING
DUO 4 - Mini

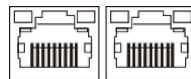


DMX Requirements*

Each DUO 4 Mini DMX unit has TWO CHANNEL per fixture (1 to control uplight, 1 to control downlight). Fixture will be controlled by DMX number controlling intensity. We do not recommend more than 32 fixtures per DMX daisy chain. When placing order, please indicate DMX address (refer to DMX Address example below). DMX address will be listed on the back of each fixture.

CONNECTION	RJ45 (CAT5e)
Common	WHITE/BROWN(PIN7) & BROWN(PIN 8)
Signal -	ORANGE(PIN 2)
Signal +	WHITE/ORANGE(PIN 1)
Spare	-
Spare	-

RJ45 Sockets



DMX IN DMX OUT

The LED fixture provide RJ45 Socket to connect. (DMX cable NOT included.)
 The final fixture should be terminated by the use of DMX Terminator (by others).

Mounting Options

