

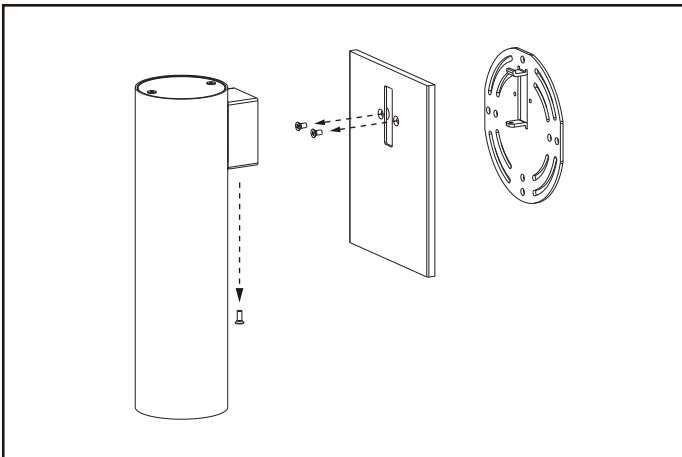
ADVANCED HIGH CEILING DOT 2.5 - Wall Mount Installation



IMPORTANT SAFETY INFORMATION. READ AND FOLLOW ALL SAFETY INSTRUCTIONS

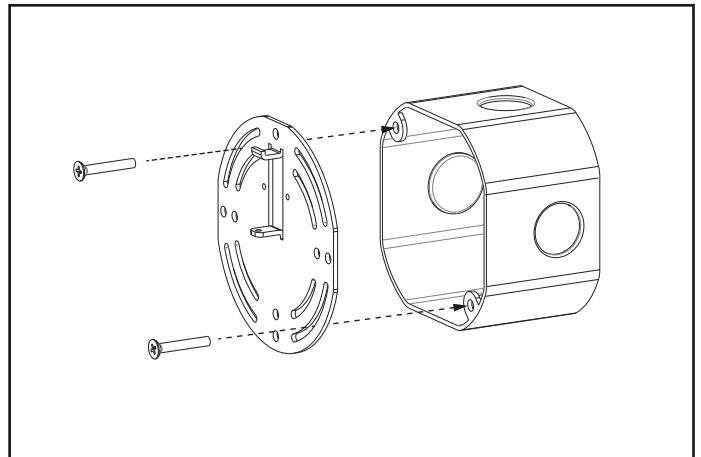
IMPORTANT SAFETY INFORMATION. READ AND FOLLOW ALL SAFETY INSTRUCTIONS. Before wiring to power supply and during servicing or relamping, turn off power at fuse or circuit breaker. All servicing or relamping must be performed by qualified service personnel. Product must be grounded to avoid potential electric shock or other potential hazard. Product must be at locations and at heights and in a manner consistent with its intended use, and in compliance with Electrical Code and local codes.

SAVE THESE INSTRUCTIONS FOR FUTURE REFERENCE.



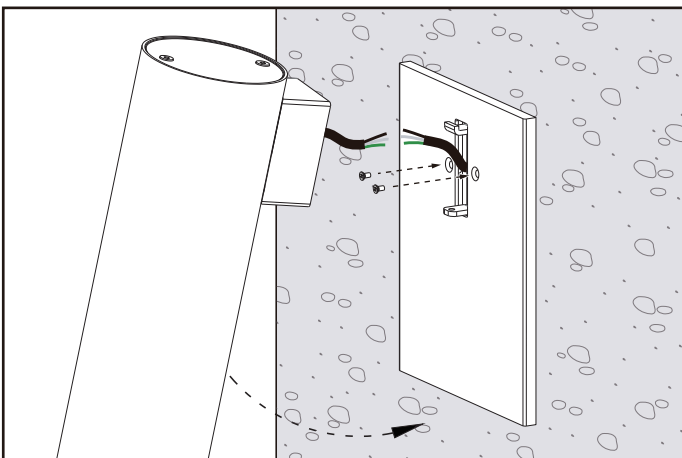
Step 1

Detach mounting plate and canopy from cylinder assembly.



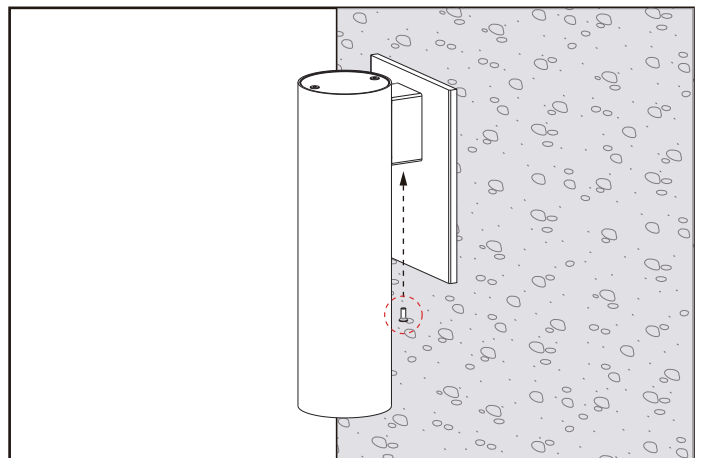
Step 2

Attach mounting plate to junction box with screws from junction box (by others).



Step 3

Attach mounting plate over junction box using screws. Make electrical connections between junction box and fixture (see wiring diagram).



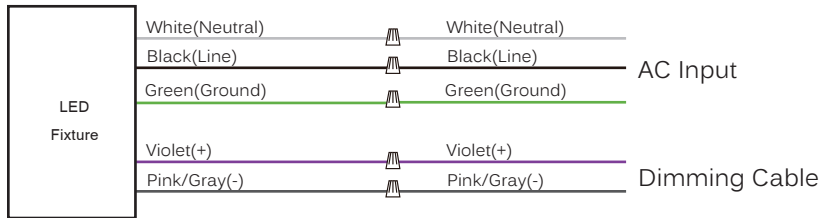
Step 4

Attach fixture to mounting plate and fasten with screw.

ADVANCED HIGH CEILING DOT 2.5 - Wall Mount Installation

Wiring Diagram

0-10V / Superior 0-10V



TRIAC

