

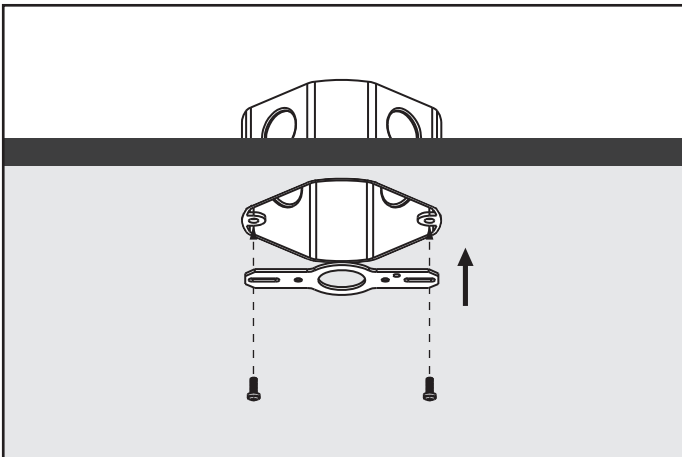
ADVANCED HIGH CEILING DOT - Surface Adjustable Mount



IMPORTANT SAFETY INFORMATION. READ AND FOLLOW ALL SAFETY INSTRUCTIONS

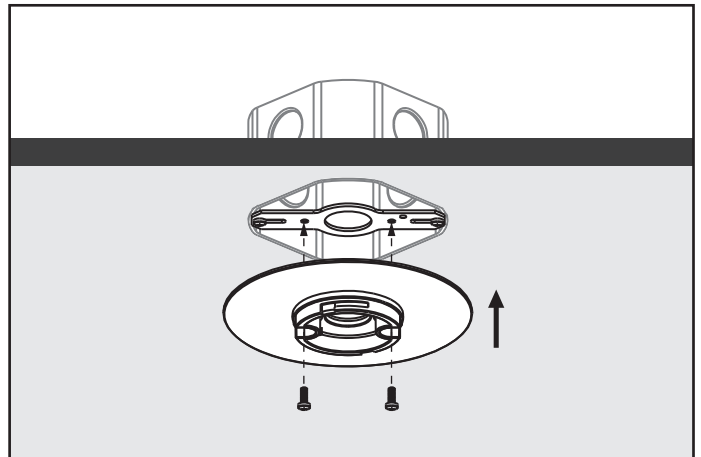
IMPORTANT SAFETY INFORMATION. READ AND FOLLOW ALL SAFETY INSTRUCTIONS. Before wiring to power supply and during servicing or relamping, turn off power at fuse or circuit breaker. All servicing or relamping must be performed by qualified service personnel. Product must be grounded to avoid potential electric shock or other potential hazard. Product must be at locations and at heights and in a manner consistent with its intended use, and in compliance with Electrical Code and local codes.

SAVE THESE INSTRUCTIONS FOR FUTURE REFERENCE.



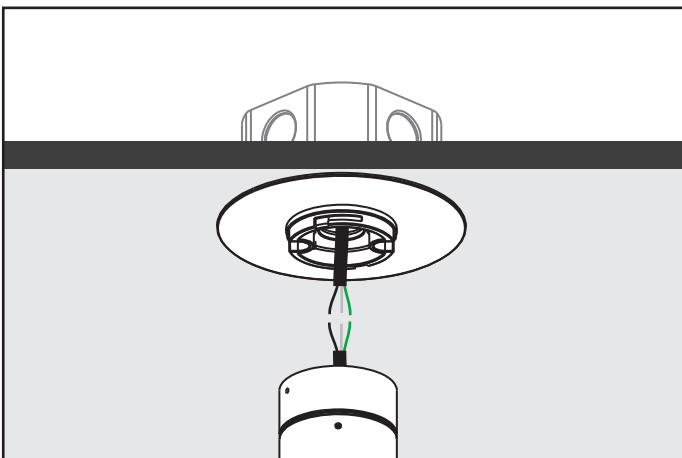
Step 1

Screw in the surface adjustable mount bracket on the junction box using 2 screws.



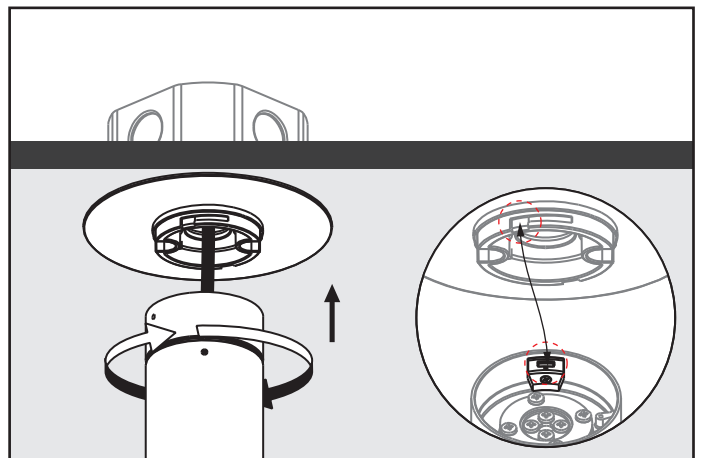
Step 2

Screw the surface adjustable mount plate onto the bracket in the two holes indicated.



Step 3

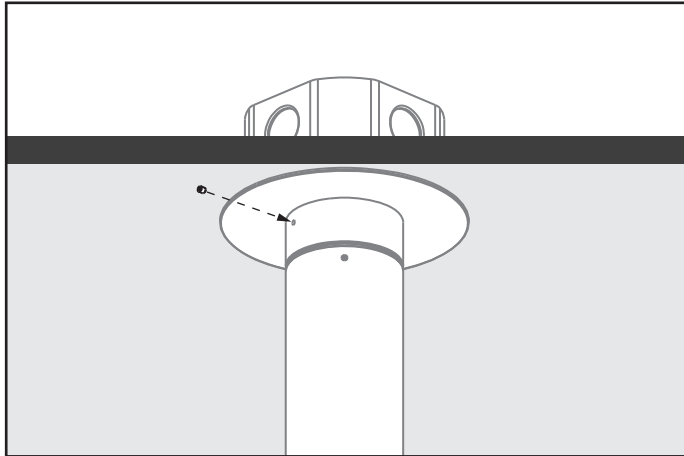
Refer to the wiring diagram for connection to the junction box.



Step 4

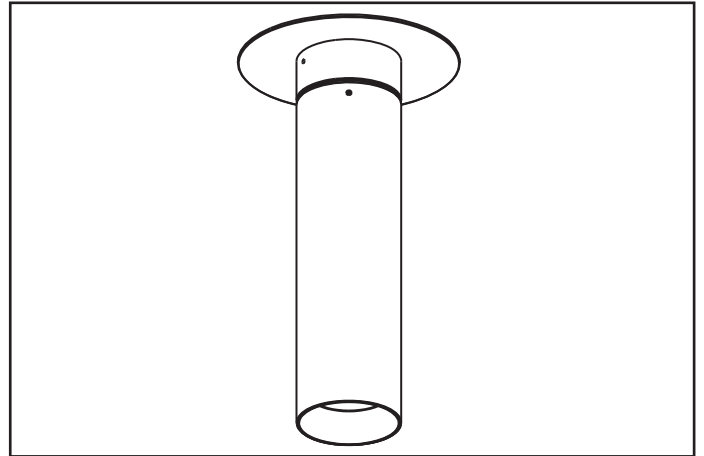
Align the bottom part of the fixture with the surface mount plate by matching the U-shaped openings.

ADVANCED HIGH CEILING DOT - Surface Adjustable Mount



Step 5

Screw in 1 Hex screw to complete installation.



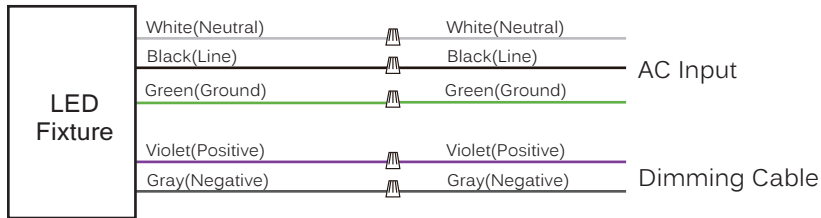
Step 6

Fixture installation complete.

ADVANCED HIGH CEILING DOT - Surface Adjustable Mount

Wiring Diagram

0-10V / Superior 0-10V



TRIAC

