

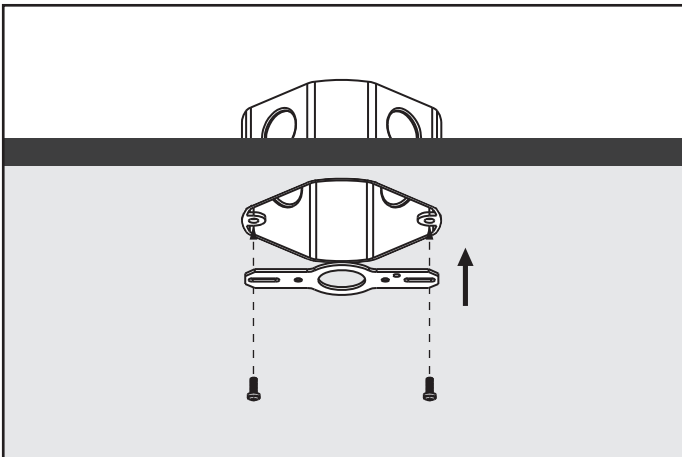
# ADVANCED HIGH CEILING DOT - Stem



## IMPORTANT SAFETY INFORMATION. READ AND FOLLOW ALL SAFETY INSTRUCTIONS

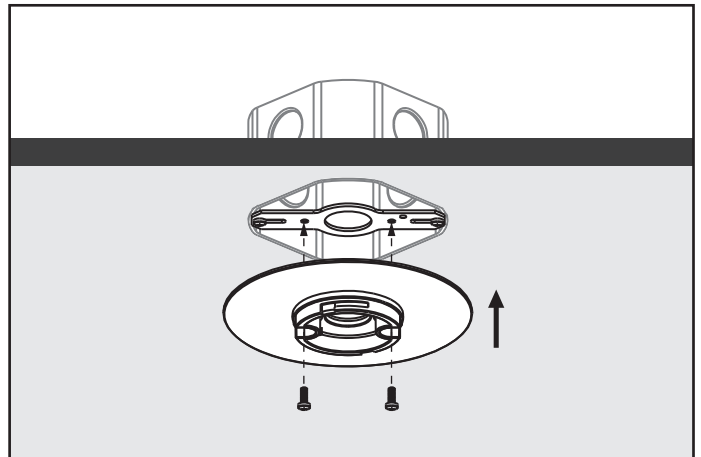
IMPORTANT SAFETY INFORMATION. READ AND FOLLOW ALL SAFETY INSTRUCTIONS. Before wiring to power supply and during servicing or relamping, turn off power at fuse or circuit breaker. All servicing or relamping must be performed by qualified service personnel. Product must be grounded to avoid potential electric shock or other potential hazard. Product must be at locations and at heights and in a manner consistent with its intended use, and in compliance with Electrical Code and local codes.

SAVE THESE INSTRUCTIONS FOR FUTURE REFERENCE.



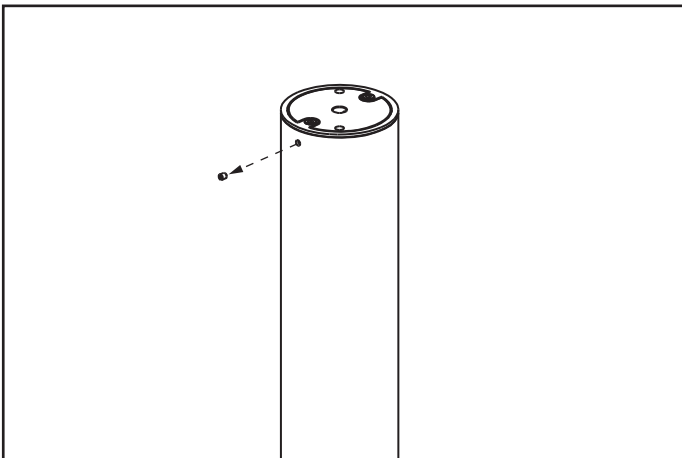
### Step 1

Screw in the stem mount bracket on the junction box using 2 screws.



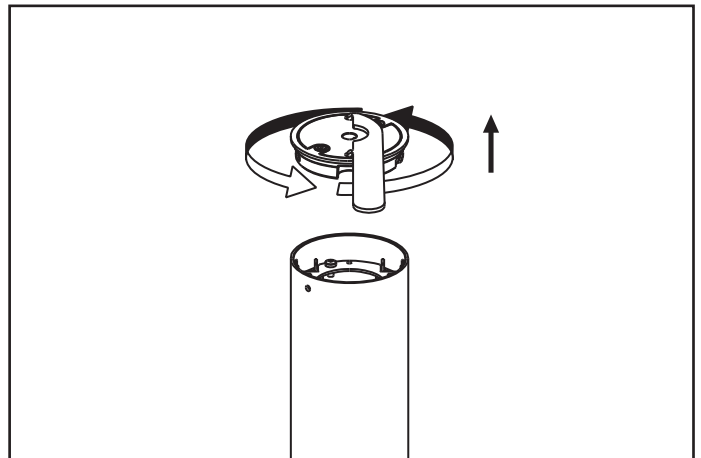
### Step 2

Screw the stem mount plate onto the bracket in the two holes indicated.



### Step 3

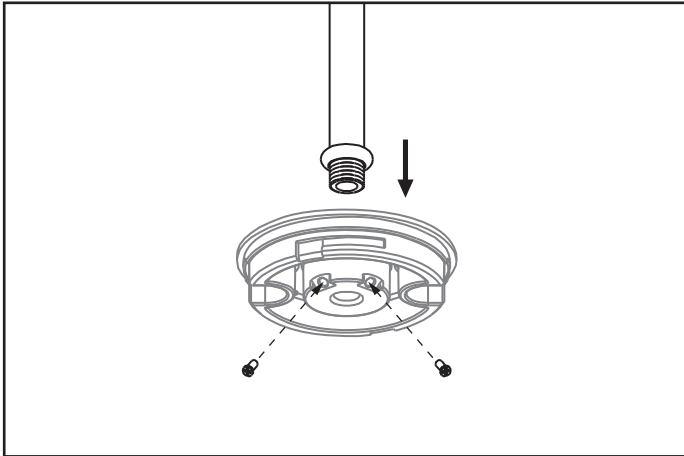
Loosen the hex screw on the side of the fixture.



### Step 4

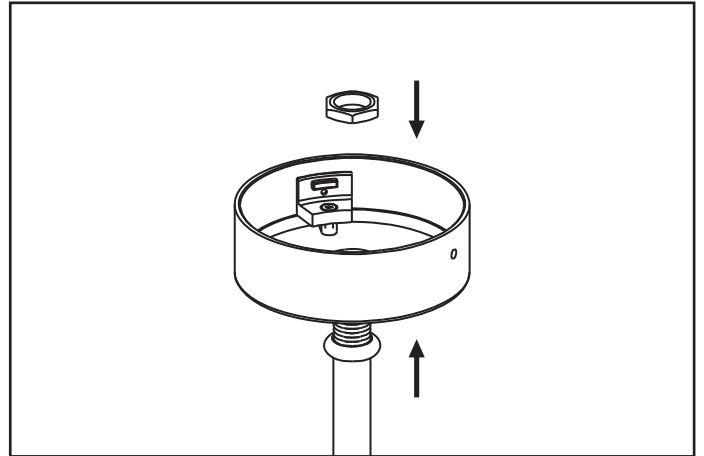
Use the provided tool to open the top fixture plate by turning anti-clockwise.

# ADVANCED HIGH CEILING DOT - Stem



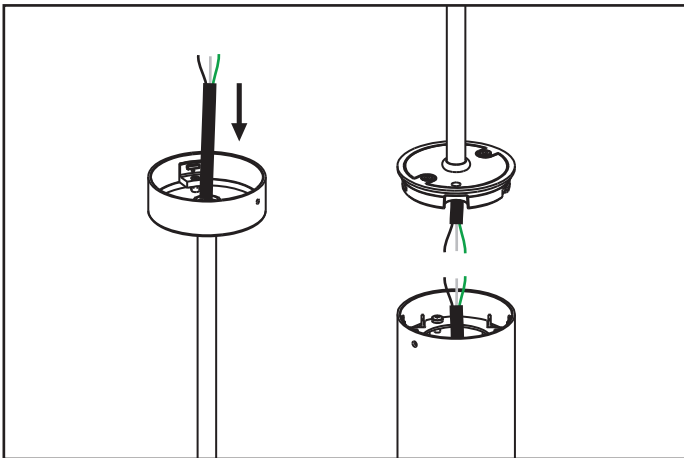
## Step 5

Screw in the stem to the top fixture plate and lock it in place by using the 2 screws as indicated.



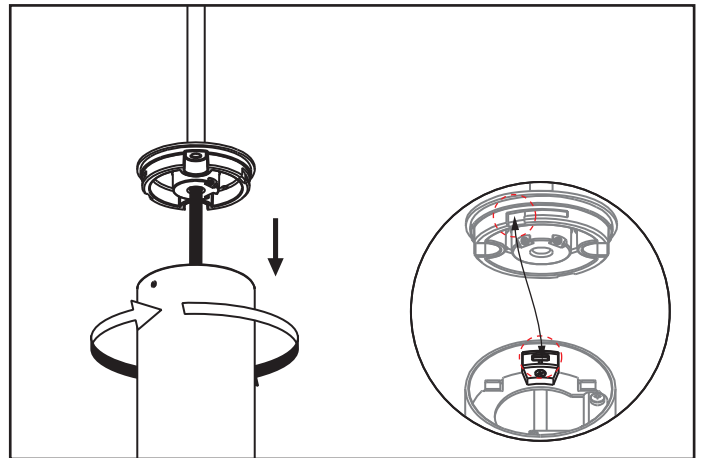
## Step 6

Fasten the stem canopy to the stem by using a Hex bolt.



## Step 7

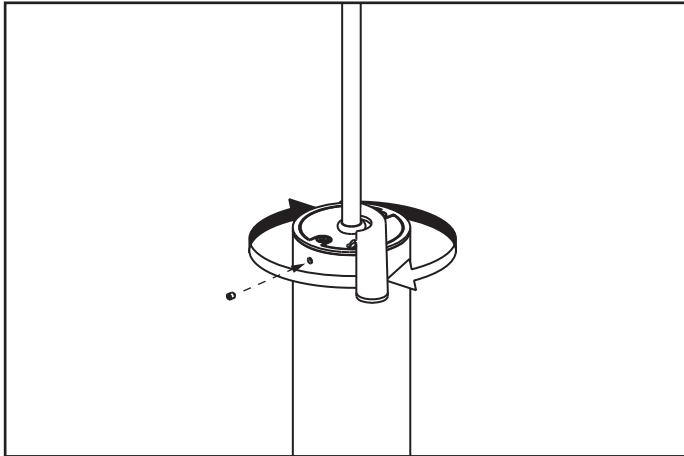
Loop the wire through both ends of the stem, referring to the wiring diagram for connection to the fixture.



## Step 8

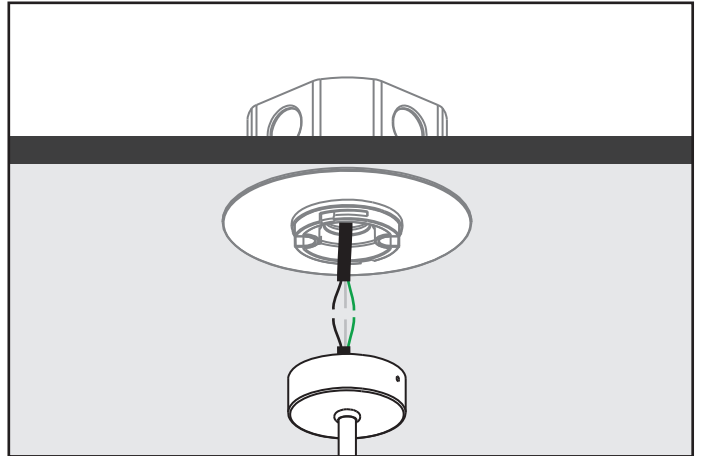
Align the bottom part of the fixture with the stem mount plate by matching the U-shaped openings.

# ADVANCED HIGH CEILING DOT - Stem



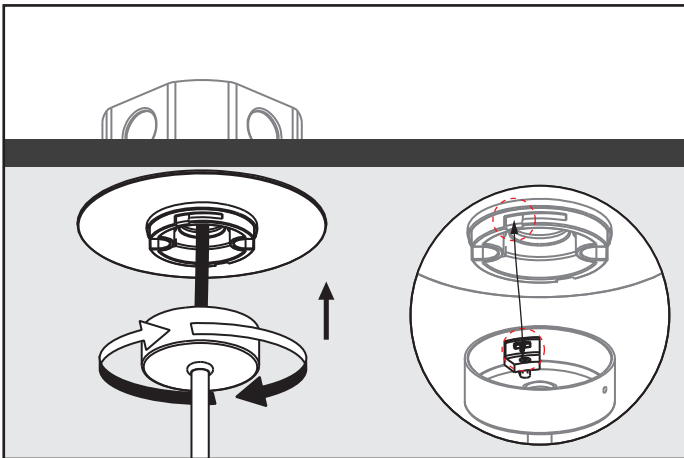
## Step 9

Use the tool and tighten clockwise. Screw in 1 Hex screw to the side of the fixture.



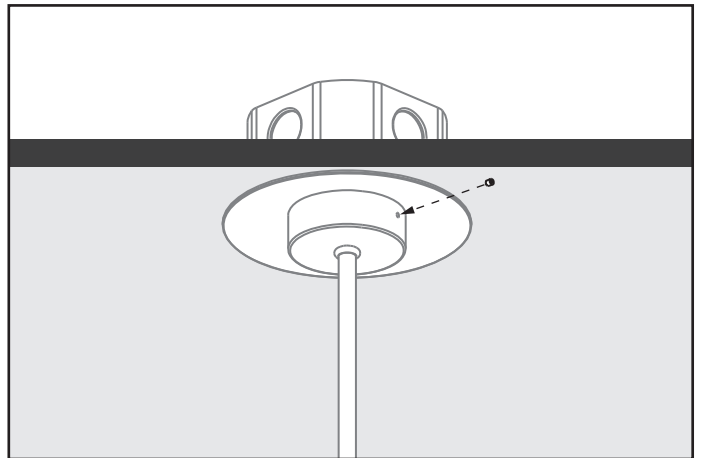
## Step 10

Refer to the wiring diagram for connection to the junction box.



## Step 11

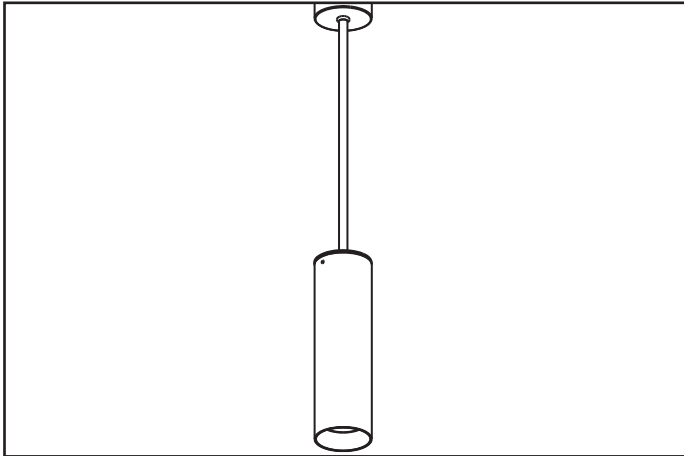
Align the stem canopy cover to the canopy plate by matching the U-shaped openings.



## Step 12

Screw in 1 Hex screw to complete installation.

# ADVANCED HIGH CEILING DOT - Stem

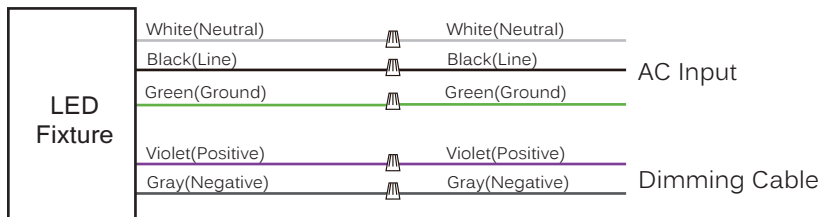


## Step 13

Fixture installation complete.

## Wiring Diagram

0-10V / Superior 0-10V



## TRIAC

