

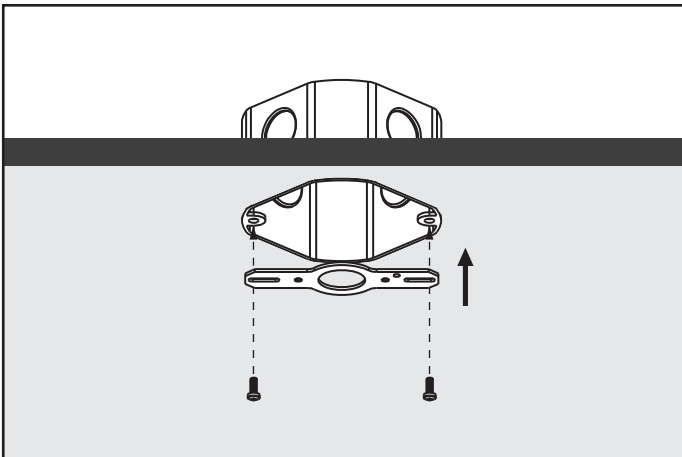
# ADVANCED HIGH CEILING DOT - Stem



## IMPORTANT SAFETY INFORMATION. READ AND FOLLOW ALL SAFETY INSTRUCTIONS

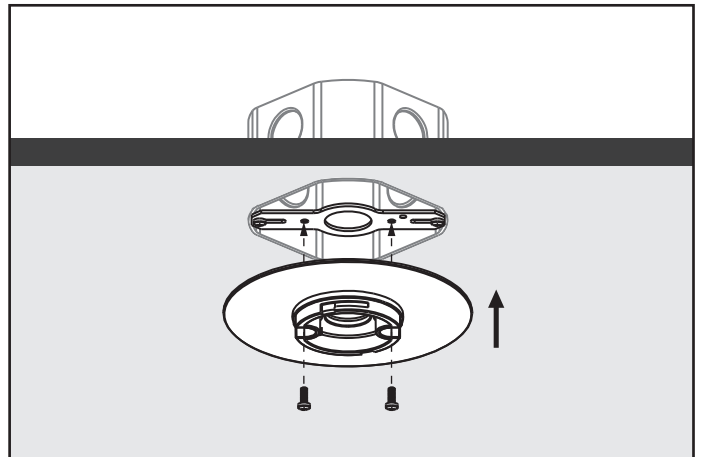
IMPORTANT SAFETY INFORMATION. READ AND FOLLOW ALL SAFETY INSTRUCTIONS. Before wiring to power supply and during servicing or relamping, turn off power at fuse or circuit breaker. All servicing or relamping must be performed by qualified service personnel. Product must be grounded to avoid potential electric shock or other potential hazard. Product must be at locations and at heights and in a manner consistent with its intended use, and in compliance with Electrical Code and local codes.

SAVE THESE INSTRUCTIONS FOR FUTURE REFERENCE.



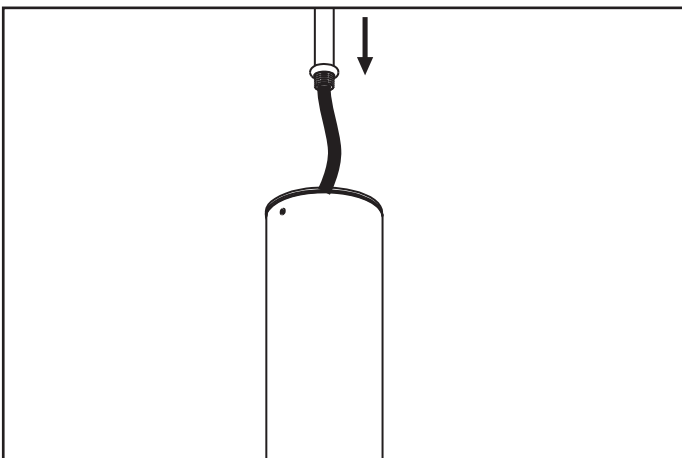
### Step 1

Screw in the stem mount bracket on the junction box using 2 screws.



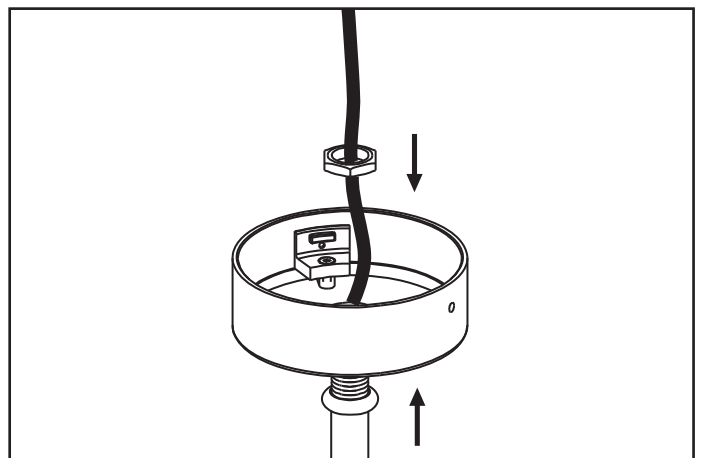
### Step 2

Screw the stem mount plate onto the bracket aligning the two holes indicated.



### Step 3

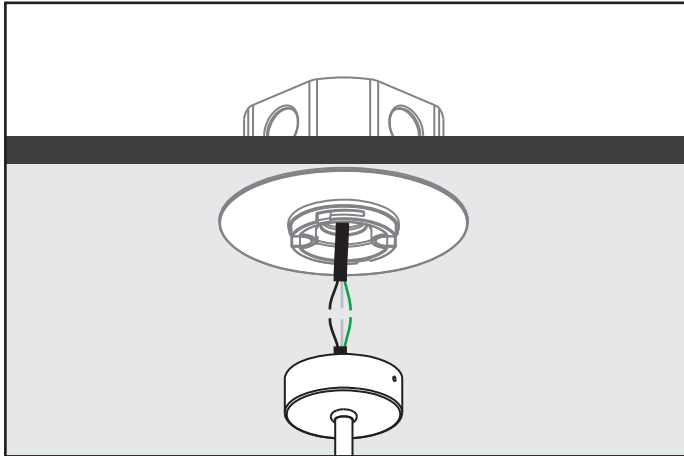
Thread luminaire wiring through stem mount.



### Step 4

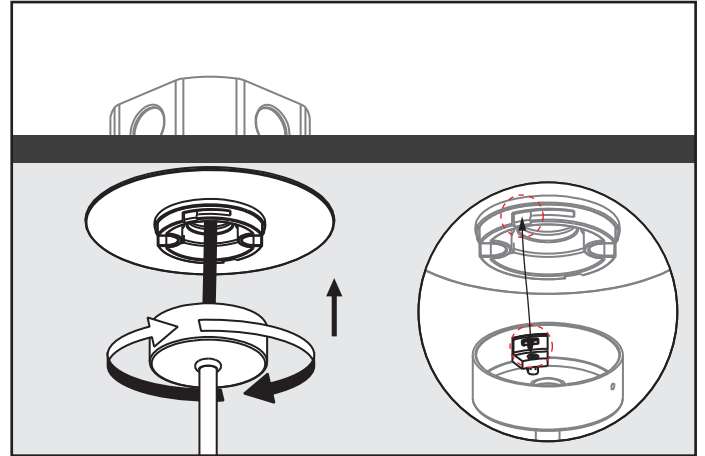
Fasten stem mount canopy and fasten in place using hex nut.

# ADVANCED HIGH CEILING DOT - Stem



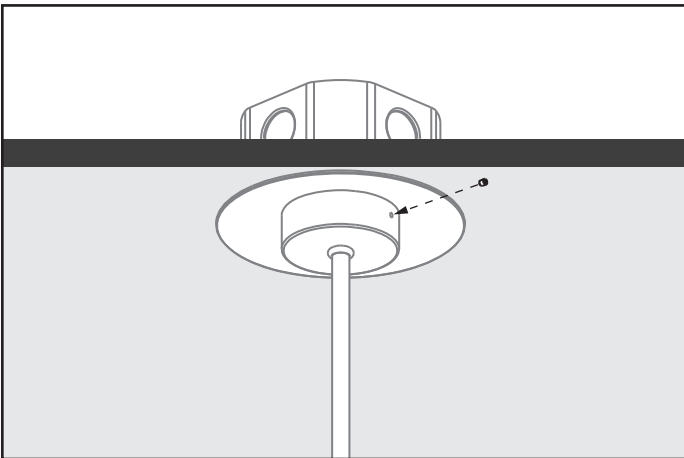
## Step 5

Make electrical connections between junction box and luminaire. Refer to the wiring diagram for a more detailed explanation.



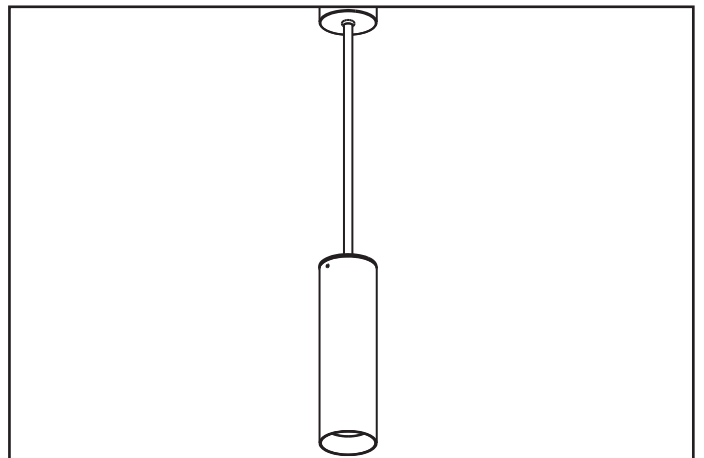
## Step 6

Raise and lock the stem mount canopy to the plate. Twisting until locked in place.



## Step 7

Secure canopy by using the safety screw provided.



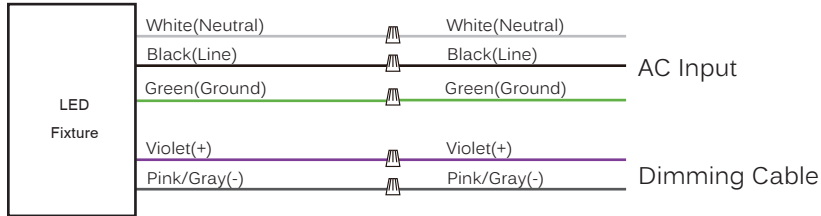
## Step 8

Luminaire installation complete.

# ADVANCED HIGH CEILING DOT - Stem

## Wiring Diagram

0-10V / Superior 0-10V



TRIAC

