

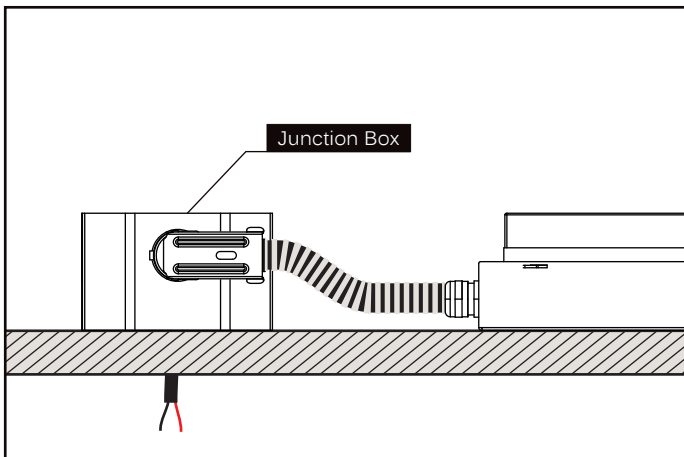
ADVANCED HIGH CEILING DOT - Power Line Mount



IMPORTANT SAFETY INFORMATION. READ AND FOLLOW ALL SAFETY INSTRUCTIONS

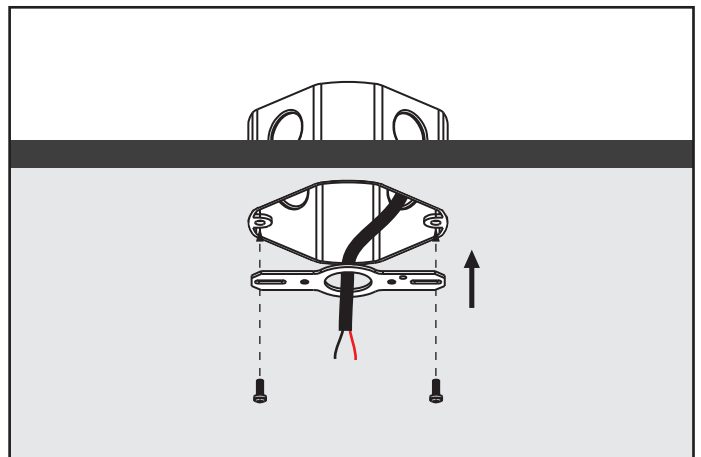
IMPORTANT SAFETY INFORMATION. READ AND FOLLOW ALL SAFETY INSTRUCTIONS. Before wiring to power supply and during servicing or relamping, turn off power at fuse or circuit breaker. All servicing or relamping must be performed by qualified service personnel. Product must be grounded to avoid potential electric shock or other potential hazard. Product must be at locations and at heights and in a manner consistent with its intended use, and in compliance with Electrical Code and local codes.

SAVE THESE INSTRUCTIONS FOR FUTURE REFERENCE.



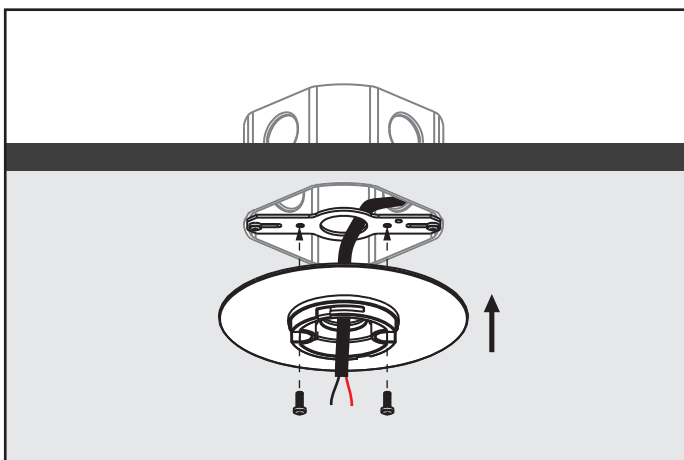
Step 1

Connect remote power to junction box.



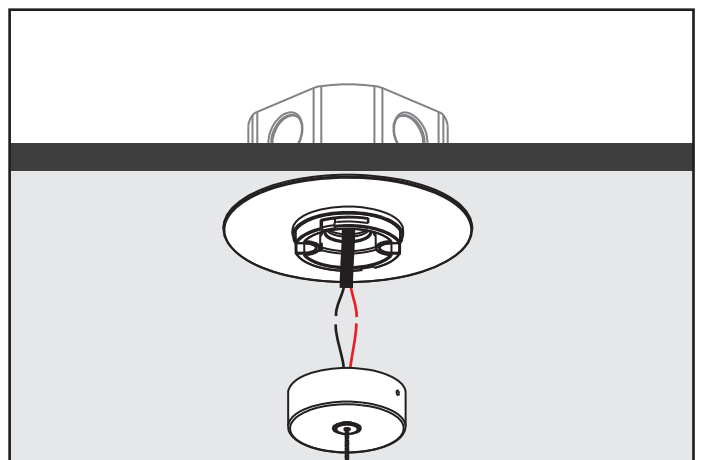
Step 2

Screw in the mounting bracket on the junction box using 2 screws.



Step 3

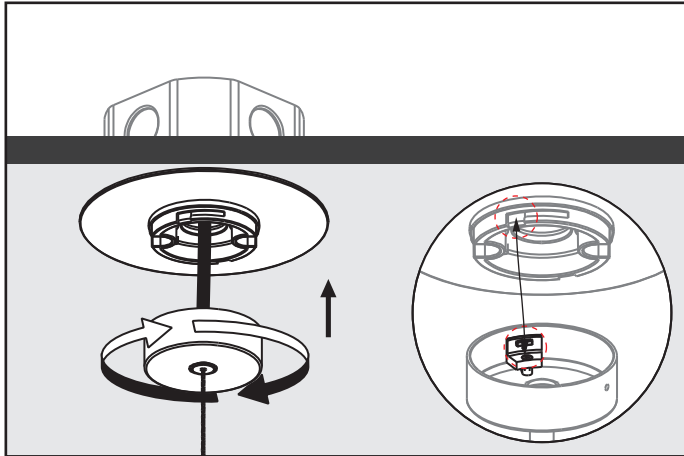
Screw the powerline plate onto the bracket in the two holes indicated.



Step 4

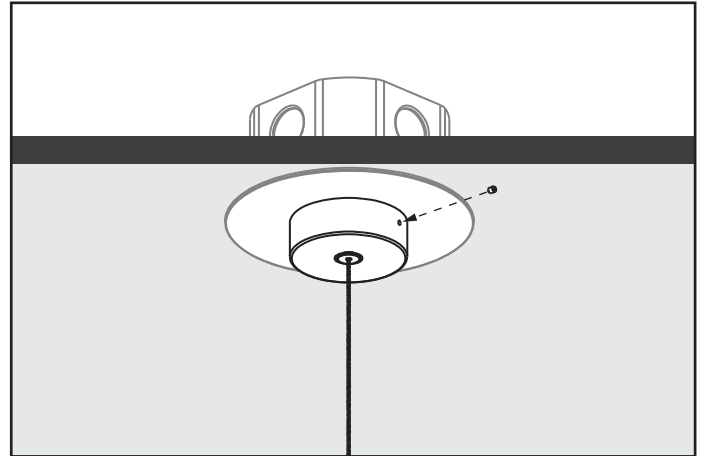
Make a connection to the junction box, referring to the wiring diagram.

ADVANCED HIGH CEILING DOT - Power Line Mount



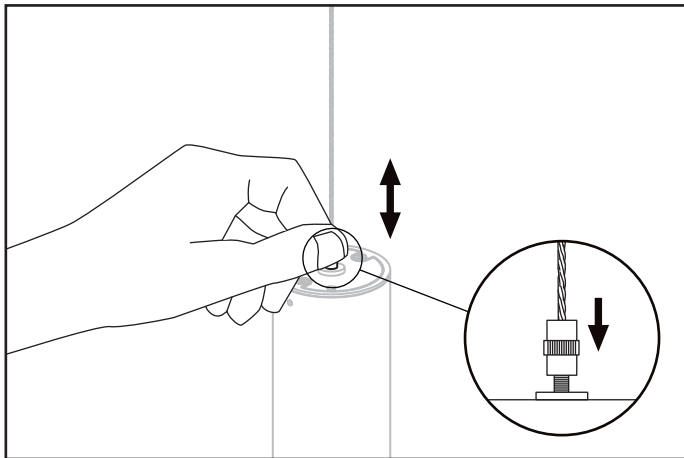
Step 5

Align the powerline canopy to the powerline plate by matching the U-shaped openings.



Step 6

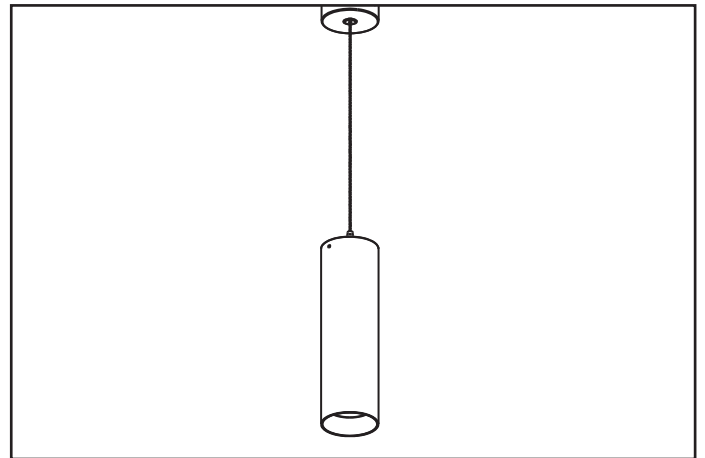
Screw in 1 Hex screw to complete installation.



Step 7

To adjust the cable gripper, simply turn it clockwise by 2 – 3 rotations. Then push down to unclamp the wire.

Note: You can also simply push the wire down to raise the fixture or push down the gripper to lower the fixture. Maximum retractable length is 1 ft.



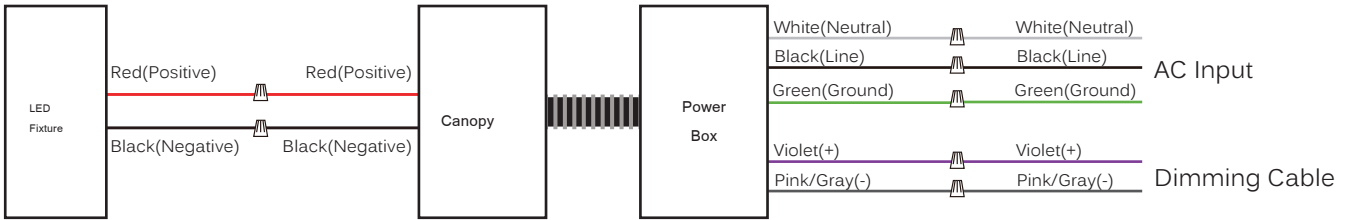
Step 8

Fixture installation complete.

ADVANCED HIGH CEILING DOT - Power Line Mount

Wiring Diagram

0-10V / Superior 0-10V



TRIAC

