

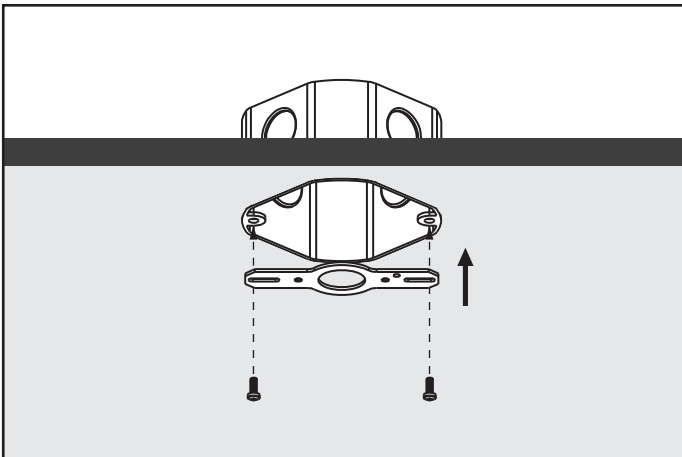
ADVANCED HIGH CEILING DOT - Cord Mount



IMPORTANT SAFETY INFORMATION. READ AND FOLLOW ALL SAFETY INSTRUCTIONS

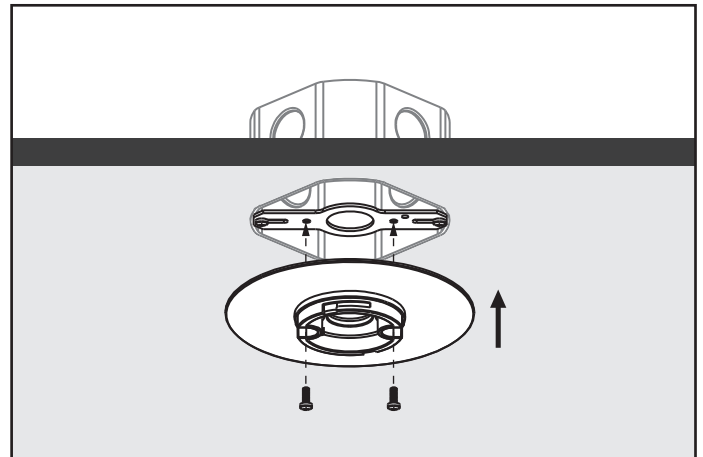
IMPORTANT SAFETY INFORMATION. READ AND FOLLOW ALL SAFETY INSTRUCTIONS. Before wiring to power supply and during servicing or relamping, turn off power at fuse or circuit breaker. All servicing or relamping must be performed by qualified service personnel. Product must be grounded to avoid potential electric shock or other potential hazard. Product must be at locations and at heights and in a manner consistent with its intended use, and in compliance with Electrical Code and local codes.

SAVE THESE INSTRUCTIONS FOR FUTURE REFERENCE.



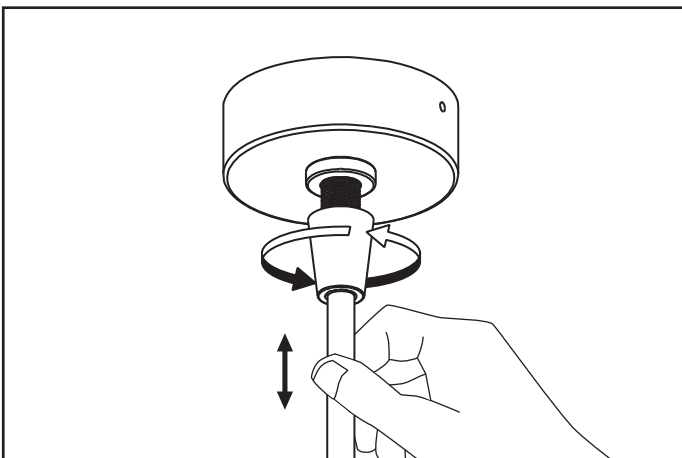
Step 1

Screw in the cord mount bracket on the junction box using 2 screws.



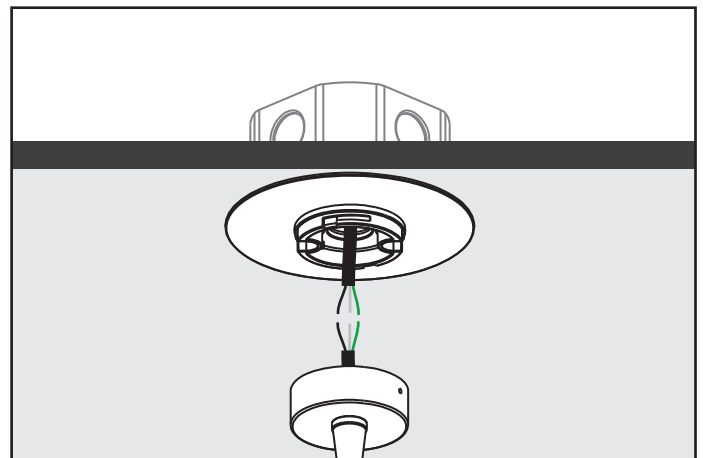
Step 2

Screw the cord mount plate onto the bracket in the two holes indicated.



Step 3

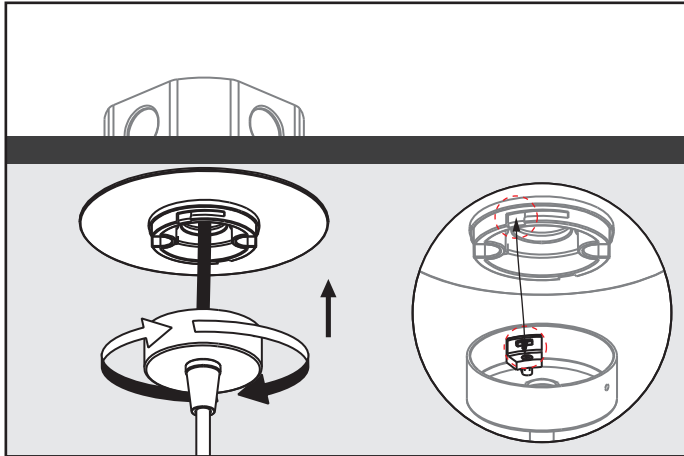
Loosen the cord gripper from the cord mount canopy by turning clockwise and loop through the wire to your desired length. Make sure to tighten once the desired length has been achieved.



Step 4

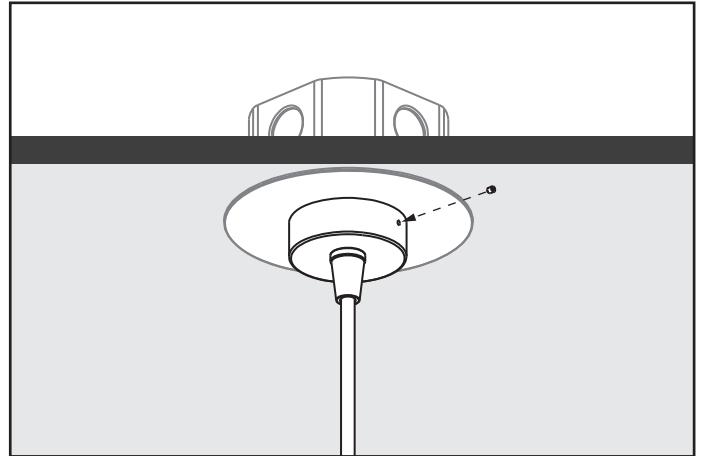
Make a connection to the junction box, referring to the wiring diagram.

ADVANCED HIGH CEILING DOT - Cord Mount



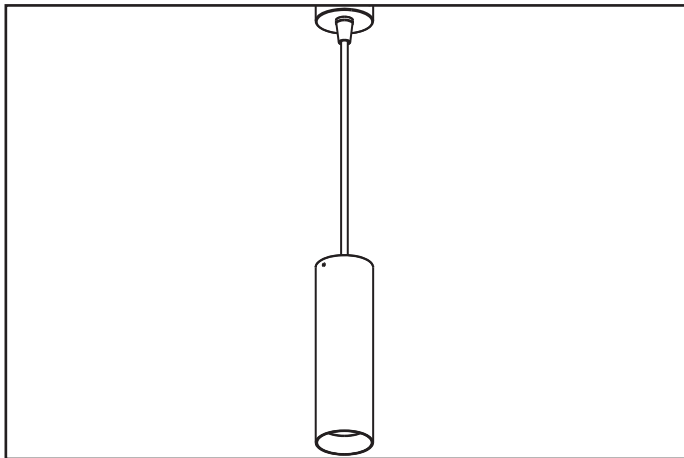
Step 5

Align the cord mount canopy to the cord mount plate by matching the U-shaped openings.



Step 6

Screw in 1 Hex screw to complete installation.



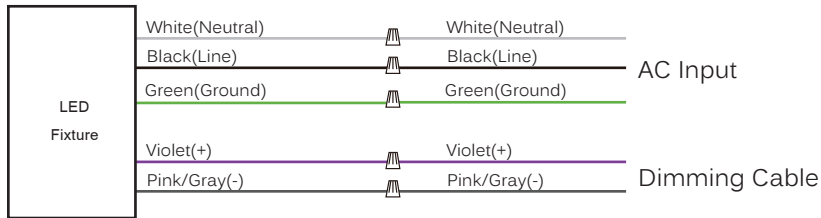
Step 7

Fixture installation complete.

ADVANCED HIGH CEILING DOT - Cord Mount

Wiring Diagram

0-10V / Superior 0-10V



TRIAC

