

Atria 6 - Tunable White Version (ColorFlip™)



6-inch Cylinder utilizing Meteor Lighting's proprietary ColorFlip™ Tunable White solution, that results in superior efficacy and heat management. This product is compatible with all existing 0-10V and DMX control systems. Bringing human centric lighting to your spaces.



| | | | |
|----------|--|------|--|
| Quantity | | Type | |
| Project | | Note | |

Delivered Lumens*

| ColorFlip™ | 2700K | 3000K | 3500K | 4000K | 4500K | 5000K | 5700K | 6500K | *Lumen Multiplier 40° 60° baseline 0.92 |
|--------------------|---------|---------|---------|---------|---------|---------|---------|---------|---|
| DMX CCT Signal (%) | 0% | 10% | 25% | 45% | 60% | 70% | 85% | 100% | |
| 0-10V CCT Voltage | 0 | 1 | 2.5 | 4.5 | 6 | 7 | 8.5 | 10 | |
| 80W | 6165 lm | 6512 lm | 6867 lm | 7214 lm | 7157 lm | 7093 lm | 7028 lm | 6972 lm | |
| 60W | 4306 lm | 4549 lm | 4797 lm | 5039 lm | 5000 lm | 4955 lm | 4909 lm | 4870 lm | |
| 40W | 2992 lm | 3160 lm | 3332 lm | 3501 lm | 3473 lm | 3442 lm | 3411 lm | 3383 lm | |
| CRI | 85 | 86 | 87 | 88 | 88 | 87 | 86 | 85 | |

Electrical System

- 40W, 60W, 80W
- Power Input: Universal (120-277V)
- Operating Temperature: -13°F~112°F
- Surge Protection: 4KV
- Remote Emergency Pack: Bodine BSL20LV
- Power factor greater than 0.9

LED Technology

- ColorFlip™(Tuning White: 2700K ↔ 6500K)
- 85+ CRI
- Beam Angle: 40°, 60°, WD
- Glowing Ring Option
- Rated Life > 60,000 Hours (L70)

Advanced Dimming

- (Proprietary VX Driver is incorporated to all dimming options for video flicker-free lighting)
- DMX: high resolution dims to 0.1% (2 channel) (Supports ANSI E1.20 RDM protocol)
 - Superior 0-10V: dims to 1% (2 channel) 1 channel control dimming. 1 channel control CCT.
 - DALI: dims to 10%

Housing

- Diameter: 6.4" (164mm)
- Height: 17" (381mm)
- Material: Aluminum
- Weight: 19.8 lbs

Mounting

- Surface Mount
- Stem 2ft or 4ft; 45° Swivel Canopy Included
- Adjustable Aircraft Cable 10ft
- Yoke Mount (AC/Dimming cable length: Standard / 6ft)

Warranty

- 5 year limited warranty

Listing

- ETL Damp Location Listed
- FCC
- CE

How To Specify:

METEOR LIGHTING P: 213.255.2060 F: 213.596.3704 www.meteor-lighting.com





Atria 6 - Tunable White Version (ColorFlip™)



Ordering Example:AS6-60-TNW-UNV-DMX-40-GLR-WHT-AD10

4-5 weeks lead time on over 75% of specifications.

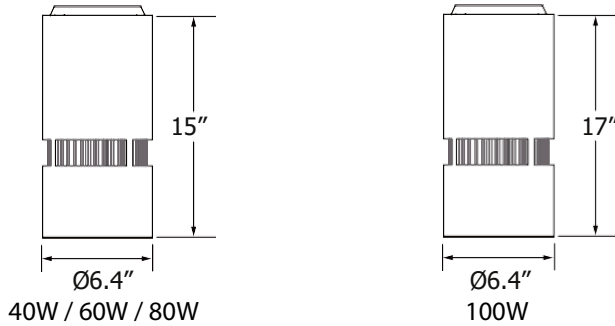
| Model | Wattage | CCT / CRI | Voltage | Dimming |
|---------|---------------|------------------------|---------------------|---|
| AS6 | | | UNV | |
| AS6 | 40 40W | TNW 2700K-6500K | UNV 120-277V | SPV Superior 0-10V dims to dark |
| Atria 6 | 60 60W | | | DMX¹ DMX dims to 0.1% (XLR Sockets) |
| | 80 80W | | | DMX(RJ45) DMX dims to 0.1% (RJ45 Sockets) |
| | | | | DALI DALI dims to 10% |

| Beam Angle | Finish | Rim Finish | Mounting | Accessories |
|---|------------------|---|---|---|
| 40 40° | BLK Black |  | SUM Surface Mount | SPD¹ Surge Protector |
| 60 60° | WHT White |  | ST2 Stem 2ft | EMP Remote Emergency Pack |
| WD* WIDE | | STD Without Ring | ST4 Stem 4ft | CB² Cross Baffle |
| | | GLR Glowing Ring | AD10 Adjustable Cable 10ft | DF³ Diffuser |
| | | | YKM Yoke Mount | |
| Please factor in change in lumen output with diffuser(-20% with WD; -12% with other degrees). | | | *Wall Mount DMX wiring is through 2 DMX Positive / Negative wires | ¹ Surge protector for up to 10KV. Applicable for unstable mains or facilities using high power machineries. ² Please factor in change in lumen output with diffuser (-20% with WD; -12% with other degrees). ³ Please factor in change in lumen output with diffuser (-20% with WD; -12% with other degrees) |

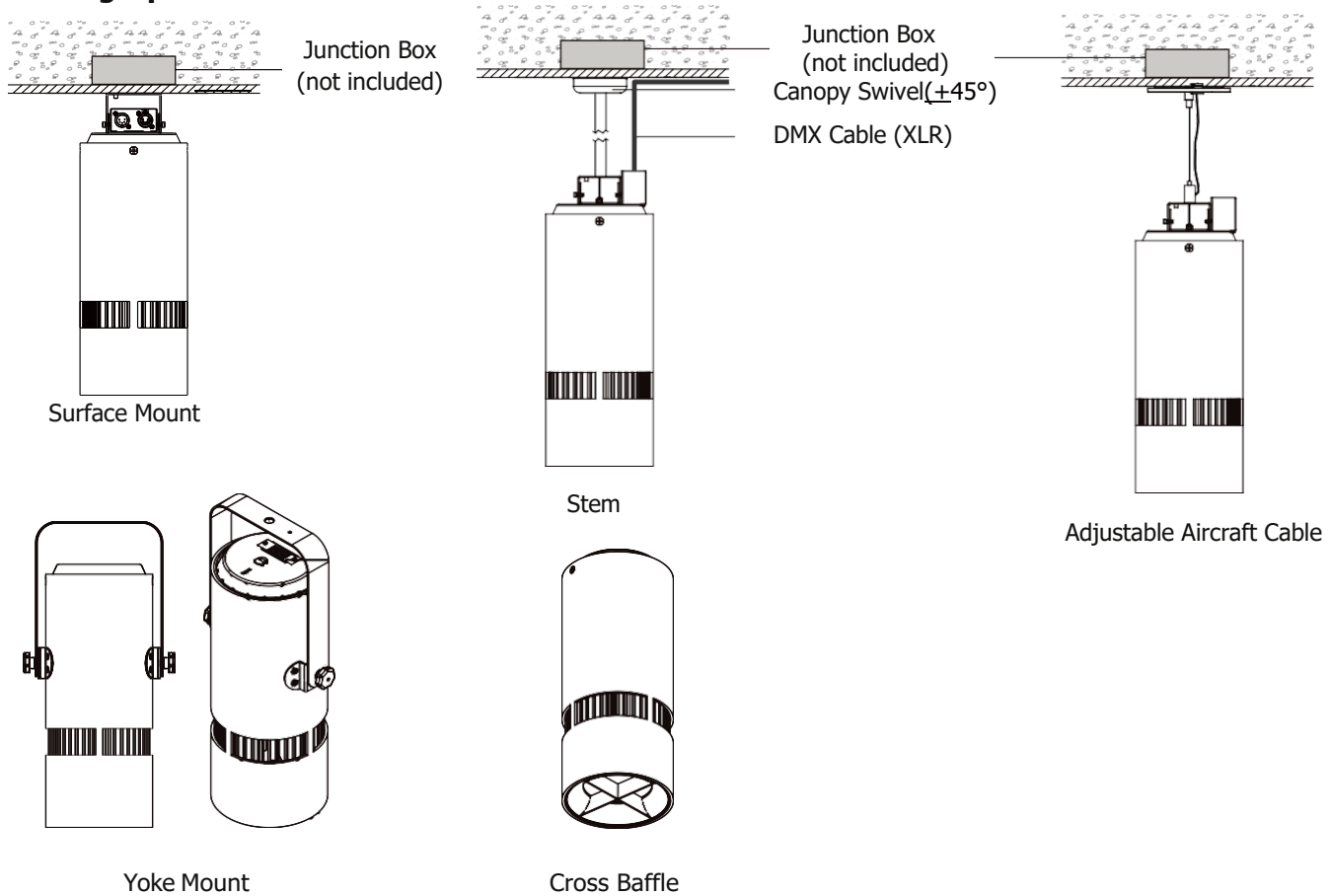
Atria 6 - Tunable White Version (ColorFlip™)



Dimensions



Mounting Options



DMX Requirements*

Each Atria 6 DMX unit has TWO CHANNELS per fixture (1 to control intensity, 1 to control color).

Fixture will be controlled by DMX number controlling intensity.

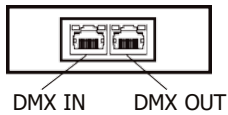
We do not recommend more than 32 fixtures per DMX daisy chain.

When placing order, please indicate DMX address (refer to DMX Address example below). DMX address will be listed on the back of each fixture.

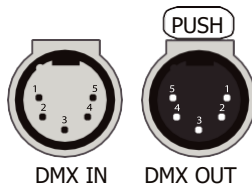
| Fixture | DMX Address | |
|---------|---------------------------|-------------------------|
| | Intensity Control (ex. X) | Color Control (ex. X+1) |
| #1 | 1 | 2 |
| #2 | 3 | 4 |
| #3 | 5 | 6 |

The LED fixture provide RJ45 Socket or XLR socket to connect. (DMX cable NOT included.)
The final fixture should be terminated by the use of DMX Terminator (by others).

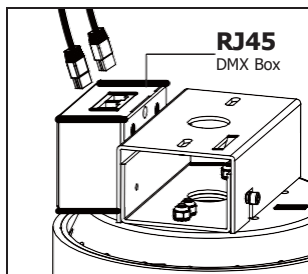
RJ45 Sockets



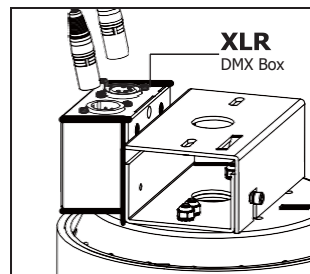
XLR Sockets



| CONNECTION | RJ45 (CAT5e) | 5-PIN XLR |
|------------|----------------------------------|-----------|
| Common | WHITE/BROWN(PIN7) & BROWN(PIN 8) | PIN 1 |
| Signal - | ORANGE(PIN 2) | PIN 2 |
| Signal + | WHITE/ORANGE(PIN 1) | PIN 3 |
| Spare | - | PIN 4 |
| Spare | - | PIN 5 |



Connect DMX by using a standard shielded CAT5/6 cable.

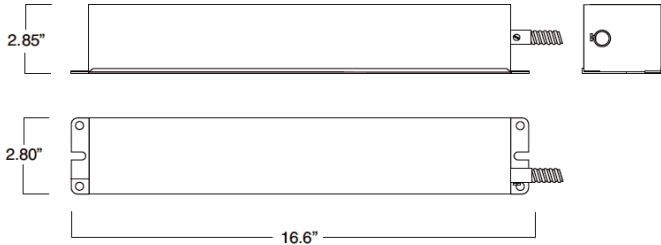


Connect DMX by using a standard DMX512 XLR cable with 5 pin in/out connector (by others).

Atria 6 - Tunable White Version (ColorFlip™)



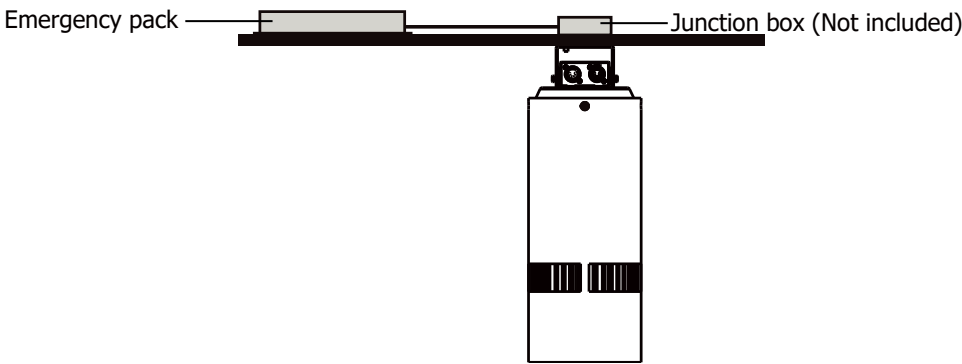
Remote Emergency Pack



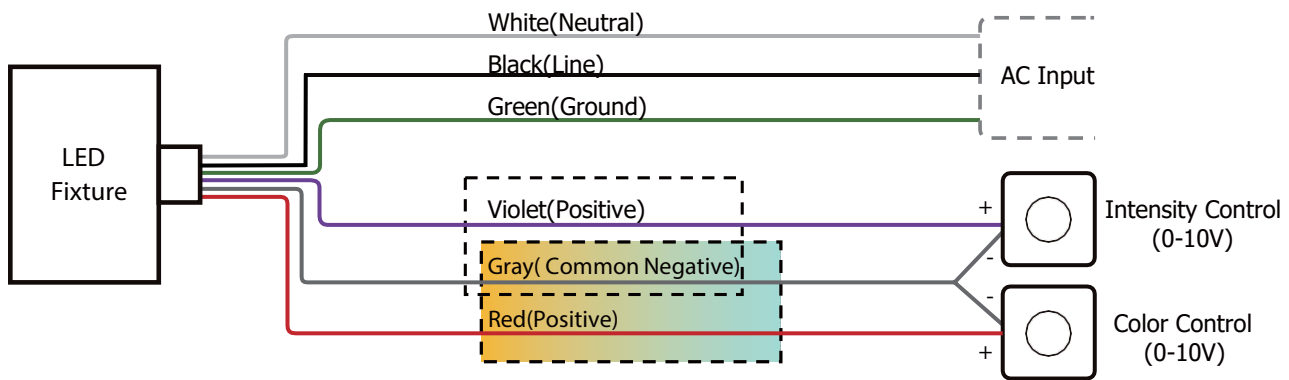
Emergency Pack Lumen Output Table

| | |
|-------|---------|
| CCT | 6500 |
| Lumen | 2000 lm |

Mounting with standard ceiling recessed Junction BOX



Superior 0-10V Wiring Diagram



DMX Wiring Diagram

