

# Atria 6 - Standard



6-inch aperture high lumen cylinder with lumen output 3470 – 9250lm.  
 - Outdoor/Natatorium Rating  
 (Please refer to Outdoor/Natatorium Version spec sheet)  
 - Tunable White  
 (Please refer to Tunable White Version spec sheet)  
 - Warm Dim  
 (Please refer to Warm Dim Version spec sheet)  
 - W+RGB  
 (Please refer to W+RGB Version spec sheet)

| Quantity | Type |
|----------|------|
| Project  | Note |

## Electrical System

- 3895lm (40W)
- 6180lm (60W)
- 7845lm (80W)
- 9250lm (100W)
- Power Input: Universal (120-277V)
- Operating Temperature: -13°F~112°F
- Surge Protection: 4KV
- Remote Emergency Pack: Bodine BSL20LV
- Power factor greater than 0.9

## LED Technology

- 2700K, 3000K, 3500K, 4000K
- 85 CRI, 93 CRI
- Beam Angle: 40°, 60°, WD
- Glowing Ring Option
- Rated Life > 60,000 hours (L70)

## Advanced Dimming

- (Proprietary VX Driver is incorporated to all dimming options for video flicker-free lighting)
- Standard 0-10V: dims to 10%
  - Superior 0-10V: dim to 1 %
  - DMX: high resolution dims to 0.1%  
 (Supports ANSI E1.20 RDM protocol)
  - LTE: Hi-Lume 1% 2-Wire LED Driver (120V forward phase only)
  - LDE1: Hi-Lume 1% EcoSystem LED Driver with Soft-on, Fade-to-Black (UNV only)
  - DALI: dims to 10%

## Housing

- Diameter: 6.4" (164mm)
- Height: 15" (381mm)
- Material: Aluminum
- Weight: 19.8 lbs

## Mounting

- Surface Mount
- Stem 2ft or 4ft; 45° Swivel Canopy Included
- Adjustable Aircraft Cable 10ft
- Yoke Mount (AC/Dimming cable length: Standard / 6ft)
- Wall Mount

## Warranty

- 5 years limited warranty.

## Listing

- ETL Damp Location Listed
- FCC
- CE



# Atria 6 - Standard





## How To Specify:

**Ordering Example:AS6-100-408-UNV-DMX-40-STD-BLK-SUM**

**4-5 weeks lead time on over 75% of specifications.**

| Model   | Wattage         | CCT / CRI                | Voltage             | Dimming  |
|---------|-----------------|--------------------------|---------------------|--|
| AS6     |                 |                          | UNV                 |  |
| AS6     | <b>40</b> 40W   | <b>278</b> 2700K / CRI85 | <b>UNV</b> 120-277V | <b>STV</b> Standard 0-10V dims to 10%  |
| Atria 6 | <b>60</b> 60W   | <b>308</b> 3000K / CRI85 |                     | <b>SPV</b> Superior 0-10V dims to dark   |
|         | <b>80</b> 80W   | <b>358</b> 3500K / CRI85 |                     | <b>DMX<sup>1</sup></b> DMX dims to 0.1% (XLR Sockets)                              |
|         | <b>100</b> 100W | <b>408</b> 4000K / CRI85 |                     | <b>DMX(RJ45)</b> DMX dims to 0.1% (RJ45 Sockets)                                   |
|         |                 | <b>279</b> 2700K / CRI93 |                     | <b>LTE</b> Hi-Lume 1% 2-Wire LED Driver (120V forward phase only)                  |
|         |                 | <b>309</b> 3000K / CRI93 |                     | <b>LDE1</b> Hi-Lume 1% EcoSystem LED Driver with Soft-on, Fade-to-Black (UNV only) |
|         |                 | <b>359</b> 3500K / CRI93 |                     | <b>DALI</b> DALI dims to 10%   |
|         |                 |                          |                     | <sup>1</sup> Wall Mount DMX does not include XLR / RJ45 sockets                    |

| Beam Angle   | Finish           | Rim Finish  | Mounting  | Accessories  |
|--|------------------|---|---|--|
| <b>40</b> 40°  | <b>BLK</b> Black | <br>STD Without Ring | <b>SUM</b> Surface Mount  | <b>SPD<sup>1</sup></b> Surge Protector   |
| <b>60</b> 60°  | <b>WHT</b> White |   | <b>ST2</b> Stem 2ft   | <b>EMP</b> Remote Emergency Pack   |
| <b>WD*</b> WIDE  |                  | <br>GLR Glowing Ring | <b>ST4</b> Stem 4ft   | <b>DF<sup>2</sup></b> Diffuser   |
|  |                  |   | <b>AD10</b> Adjustable Cable 10ft                                 |  |
|  |                  |   | <b>WLM*</b> Wall Mount  |  |
|  |                  |   | <b>YKM</b> Yoke Mount   |  |
| Please factor in change in lumen output with diffuser (-20% with WD; -12% with other degrees). |                  |   | *Wall Mount DMX wiring is through 2 DMX Positive / Negative wires | <sup>1</sup> Surge protector for up to 10KV. Applicable for unstable mains or facilities using high power machinerries.<br><br><sup>2</sup> Please factor in change in lumen output with diffuser (-20% with WD; -12% with other degrees). |

# Atria 6 - Standard



## Delivered Lumens\*

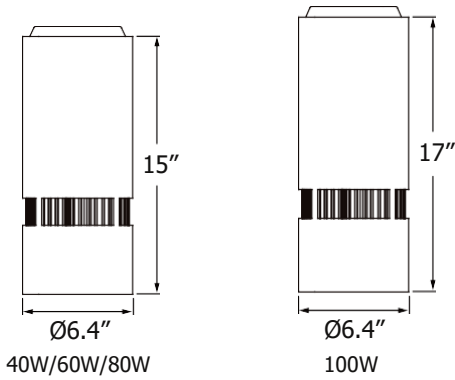
| Wattage         | 40W     | 60W     | 80W     | 100W    |
|-----------------|---------|---------|---------|---------|
| Beam Angle: 40° |         |         |         |         |
| CCT             |         |         |         |         |
| 4000K           | 3895 lm | 6180 lm | 7845 lm | 9250 lm |
| 3500K           | 3710 lm | 5890 lm | 7620 lm | 9130 lm |
| 3000K           | 3640 lm | 5780 lm | 7195 lm | 8900 lm |
| 2700K           | 3470 lm | 5500 lm | 6725 lm | 8210 lm |

\*Tolerance±8%

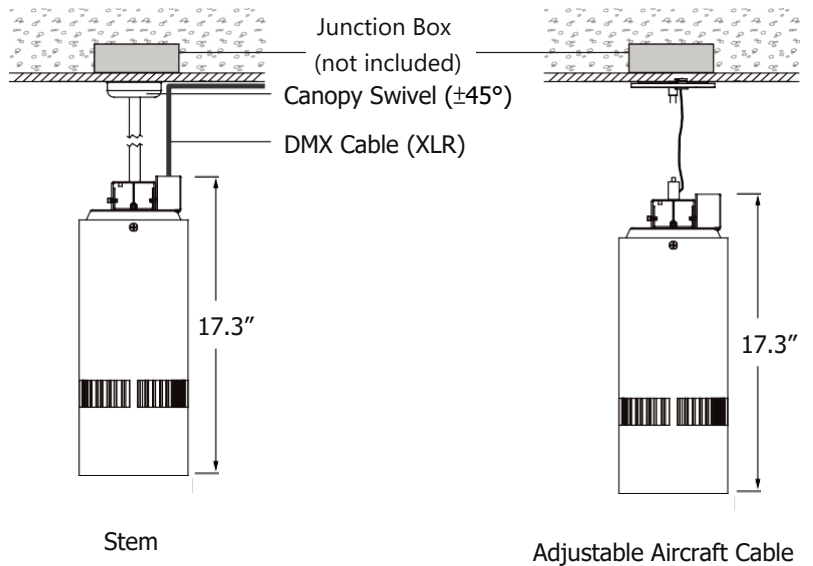
## Current Consumption

| Wattage | 120V  | 277V  |
|---------|-------|-------|
| 40W     | 0.37A | 0.16A |
| 60W     | 0.55A | 0.24A |
| 80W     | 0.73A | 0.32A |
| 100W    | 0.92A | 0.40A |

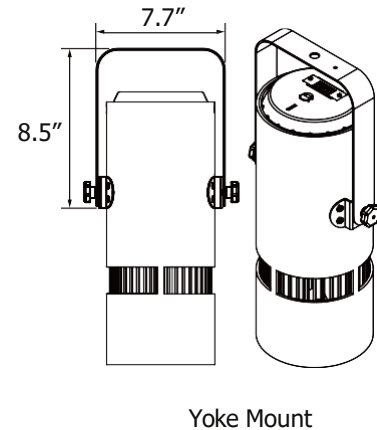
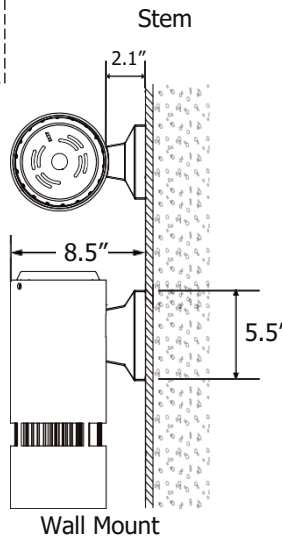
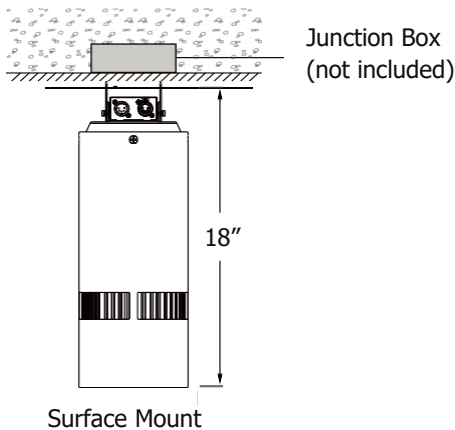
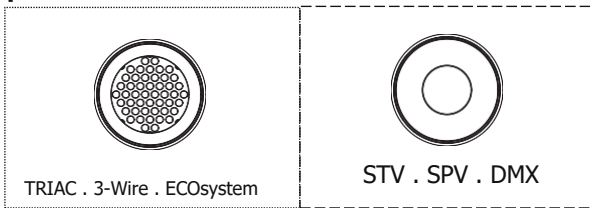
## Dimensions



## Mounting Options



## Appearance



# Atria 6 - Standard



## DMX Requirements

The AS6 LED fixture with DMX is a ONE CHANNEL DMX unit.

When placing order, please indicate DMX address. (The DMX address will be listed on the back of the fixture.)

The LED fixture provide RJ45 Socket or XLR socket to connect. (DMX cable NOT included.)

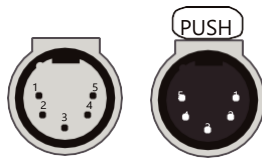
The final fixture should be terminated by the use of DMX Terminator (by others).

### RJ45 Sockets



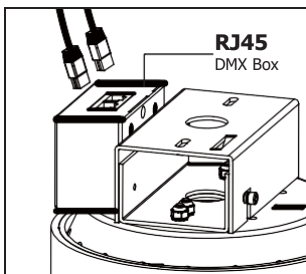
DMX IN DMX OUT

### XLR Sockets

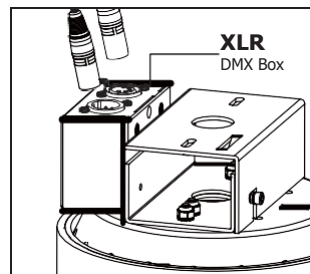


DMX IN DMX OUT

| CONNECTION | RJ45 (CAT5e)                      | 5-PIN XLR |
|------------|-----------------------------------|-----------|
| Common     | WHITE/BROWN(PIN7) & BROWN (PIN 8) | PIN 1     |
| Signal -   | ORANGE (PIN 2)                    | PIN 2     |
| Signal +   | WHITE/ORANGE (PIN 1)              | PIN 3     |
| Spare      | -                                 | PIN 4     |
| Spare      | -                                 | PIN 5     |



Connect DMX by using a standard shielded CAT5/6 cable.



Connect DMX by using a standard DMX512 XLR cable with 5 pin in/out connector (by others).

## Compatible DMX Cabling List

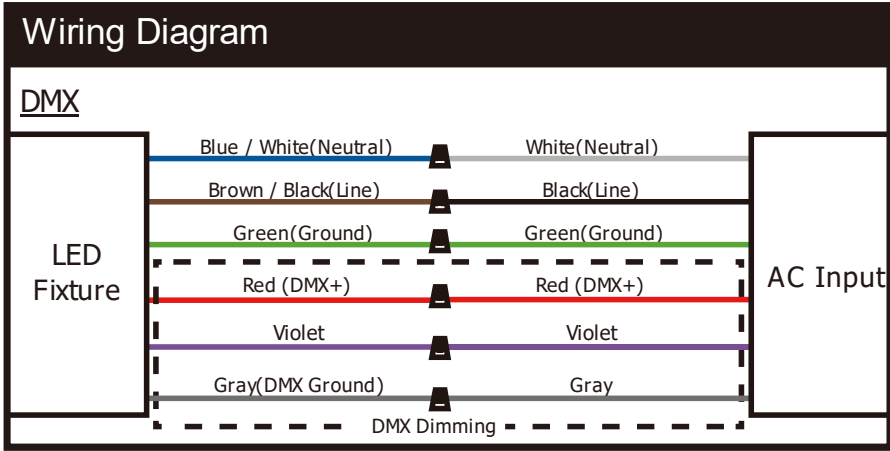
DMX uses a cable consisting of two twisted pairs plus a shield to carry data. The cable must be specifically impedance matched for the digital DMX signal, meaning that microphone cable or other non-rated cable **must not be used to carry DMX**. Network cable (Cat5, 5e or 6 cable) may be used to carry DMX in an installation; however special consideration must be given to shielding and termination. Under no circumstances should solid core cable like Cat5 be terminated into a screw down connector.

Meteor recommends the use of Belden 9729 for DMX installation. Belden 9729 is a two pair cable, which allows for a spare pair for 'out and back' type terminations if needed. Below is a list of other compatible Belden cables.

# Atria 6 - Standard



## DMX Wall Mount Wiring Diagram



- When placing order, please indicate DMX address. (The DMX address will be listed on the back of the fixture.)
- The LED fixture will have 2 DMX positive / Negative wires for connection. The final fixture should be terminated by the use of DMX Terminator (by others)

### Compatible TRIAC Dimmer List

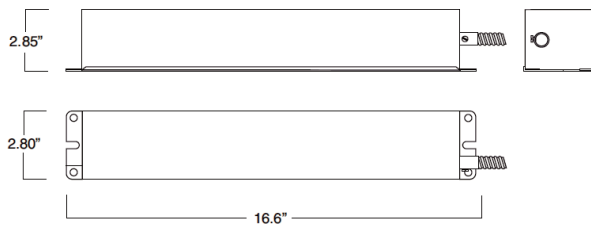
LUTRON PART NO

|           |            |           |                |             |           |           |
|-----------|------------|-----------|----------------|-------------|-----------|-----------|
| RRD-6NA-  | RRT-G5NEW- | RRT-GH    | HQRD-10ND-     | HQRT-GH     | HQRD-HN   | PD-10NXD- |
| RRD-6ND   | RRT-G25LW- | HQRD-6NA- | MRF2-6ND-120-  | HQRT-G25LW- | GT-250M-  | PD-5NE-   |
| RRD-10ND- | RRD-HN     | HQRD-6ND- | MRF2S-6ND-120- | HQRT-G5NEW- | GTJ-250M- |           |

### Emergency Pack Lumen Output Table

| CCT   | 2700K   | 3000K   | 4000K   | 5000K   |
|-------|---------|---------|---------|---------|
| Lumen | 1640 lm | 1760 lm | 1890 lm | 1950 lm |

### Remote Emergency Pack



### Mounting with standard ceiling recessed Junction BOX

