

ADVANCED HIGH CEILING

# Atria 6 - Standard



- 6-inch aperture high lumen cylinder with lumen output 3470 – 9250lm.
- Outdoor/Natatorium Rating  
(Please refer to Outdoor/Natatorium Version spec sheet)
  - Tunable White  
(Please refer to Tunable White Version spec sheet)
  - Warm Dim  
(Please refer to Warm Dim Version spec sheet)
  - W+RGB  
(Please refer to W+RGB Version spec sheet)

Quantity		Type	
Project		Note	

### Electrical System

- 3895lm (40W)
- 6180lm (60W)
- 7845lm (80W)
- 9250lm (100W)
- Power Input: Universal (120-277V)
- Operating Temperature: -13°F~112°F
- Surge Protection: 4KV
- Remote Emergency Pack: Bodine BSL20LV
- Power factor greater than 0.9

### LED Technology

- 2700K, 3000K, 3500K, 4000K
- 85 CRI, 93 CRI
- Beam Angle: 40°, 60°, WD
- Glowing Ring Option
- Rated Life > 60,000 hours (L70)

### Advanced Dimming

- (Proprietary VX Driver is incorporated to all dimming options for video flicker-free lighting)
- Standard 0-10V: dims to 10%
  - Superior 0-10V: dim to 1 %
  - DMX: high resolution dims to 0.1% (Supports ANSI E1.20 RDM protocol)
  - LTE: Hi-Lume 1% 2-Wire LED Driver (120V forward phase only)
  - LDE1: Hi-Lume 1% EcoSystem LED Driver with Soft-on, Fade-to-Black (UNV only)
  - DALI: dims to 10%

### Housing

- Diameter: 6.4" (164mm)
- Height: 15" (381mm)
- Material: Aluminum
- Weight: 19.8 lbs

### Mounting

- Surface Mount
- Stem 2ft or 4ft; 45° Swivel Canopy Included
- Adjustable Aircraft Cable 10ft
- Yoke Mount
- Wall Mount

### Warranty

- 5 years limited warranty.

### Listing

- ETL Damp Location Listed
- FCC
- CE



# Atria 6 - Standard





## How To Specify:

**Ordering Example:AS6-100-408-UNV-DMX-40-STD-BLK-SUM**

**4-5 weeks lead time on over 75% of specifications.**

Model	Wattage	CCT / CRI	Voltage	Dimming
AS6			UNV	
AS6	<b>40</b> 40W	<b>278</b> 2700K / CRI85	<b>UNV</b> 120-277V	<b>STV</b> Standard 0-10V dims to 10%
Atria 6	<b>60</b> 60W	<b>308</b> 3000K / CRI85		<b>SPV</b> Superior 0-10V dims to dark
	<b>80</b> 80W	<b>358</b> 3500K / CRI85		<b>DMX<sup>1</sup></b> DMX dims to 0.1% (XLR Sockets)
	<b>100</b> 100W	<b>408</b> 4000K / CRI85		<b>DMX(RJ45)</b> DMX dims to 0.1% (RJ45 Sockets)
		<b>279</b> 2700K / CRI93		<b>LTE</b> Hi-Lume 1% 2-Wire LED Driver (120V forward phase only)
		<b>309</b> 3000K / CRI93		<b>LDE1</b> Hi-Lume 1% EcoSystem LED Driver with Soft-on, Fade-to-Black (UNV only)
		<b>359</b> 3500K / CRI93		<b>DALI<sup>1</sup></b> DALI dims to 10%
<sup>1</sup> Wall Mount DMX does not include XLR / RJ45 sockets				

Beam Angle	Finish	Rim Finish	Mounting	Accessories
<b>40</b> 40°	<b>BLK</b> Black		<b>SUM</b> Surface Mount	<b>SPD<sup>1</sup></b> Surge Protector
<b>60</b> 60°	<b>WHT</b> White		<b>ST2</b> Stem 2ft	<b>EMP</b> Remote Emergency Pack
<b>WD*</b> WIDE		STD Without Ring	<b>ST4</b> Stem 4ft	<b>DF<sup>2</sup></b> Diffuser
			<b>AD10</b> Adjustable Cable 10ft	
		GLR Glowing Ring	<b>WLM*</b> Wall Mount	
			<b>YKM</b> Yoke Mount	
Please factor in change in lumen output with diffuser(-20% with WD; -12% with other degrees).			*Wall Mount DMX wiring is through 2 DMX Positive / Negative wires	<sup>1</sup> Surge protector for up to 10KV. Applicable for unstable mains or facilities using high power machineries. <sup>2</sup> Please factor in change in lumen output with diffuser (-20% with WD; -12% with other degrees).

# Atria 6 - Standard



## Delivered Lumens\*

Wattage	40W	60W	80W	100W
Beam Angle: 40°				
CCT				
4000K	3895 lm	6180 lm	7845 lm	9250 lm
3500K	3710 lm	5890 lm	7620 lm	9130 lm
3000K	3640 lm	5780 lm	7195 lm	8900 lm
2700K	3470 lm	5500 lm	6725 lm	8210 lm

\*Tolerance±8%

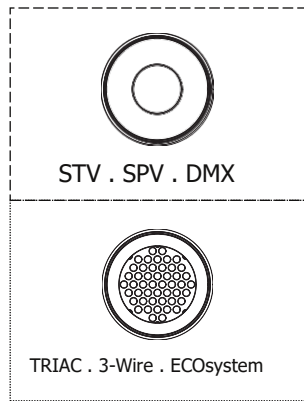
## Current Consumption

Wattage	120V	277V
40W	0.37A	0.16A
60W	0.55A	0.24A
80W	0.73A	0.32A
100W	0.92A	0.40A

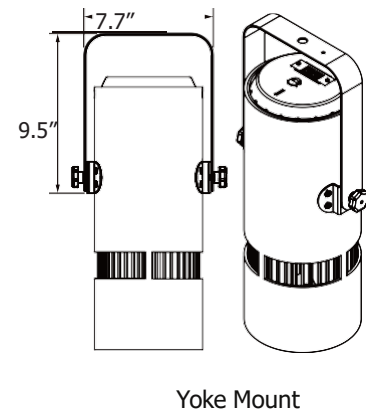
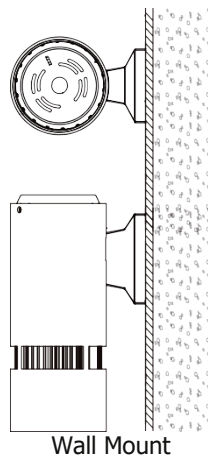
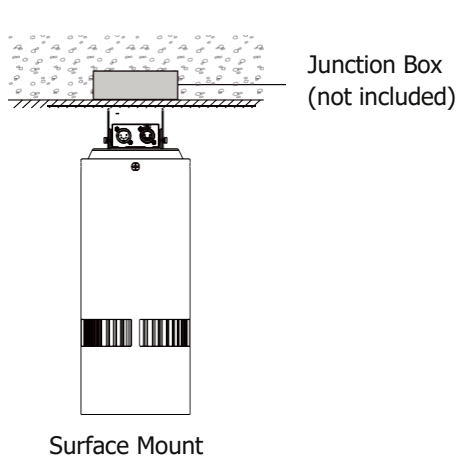
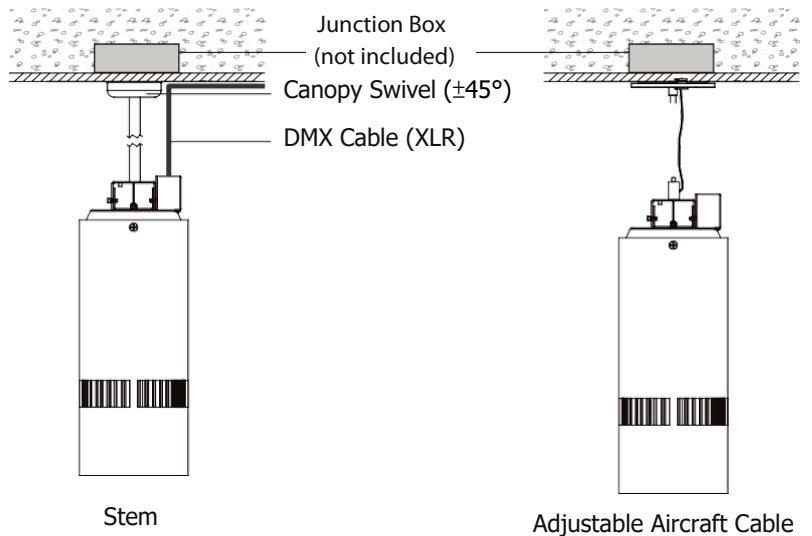
## Dimensions



## Appearance



## Mounting Options



# Atria 6 - Standard



## DMX Requirements

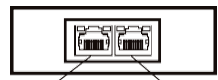
The AS6 LED fixture with DMX is a ONE CHANNEL DMX unit.

When placing order, please indicate DMX address. (The DMX address will be listed on the back of the fixture.)

The LED fixture provide RJ45 Socket or XLR socket to connect. (DMX cable NOT included.)

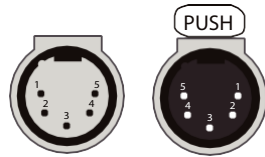
The final fixture should be terminated by the use of DMX Terminator (by others).

### RJ45 Sockets



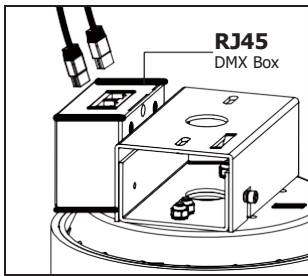
DMX IN DMX OUT

### XLR Sockets

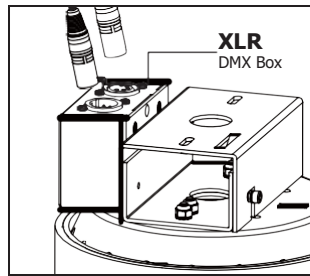


DMX IN DMX OUT

CONNECTION	RJ45 (CAT5e)	5-PIN XLR
Common	WHITE/BROWN(PIN7) & BROWN(PIN 8)	PIN 1
Signal -	ORANGE(PIN 2)	PIN 2
Signal +	WHITE/ORANGE(PIN 1)	PIN 3
Spare	-	PIN 4
Spare	-	PIN 5

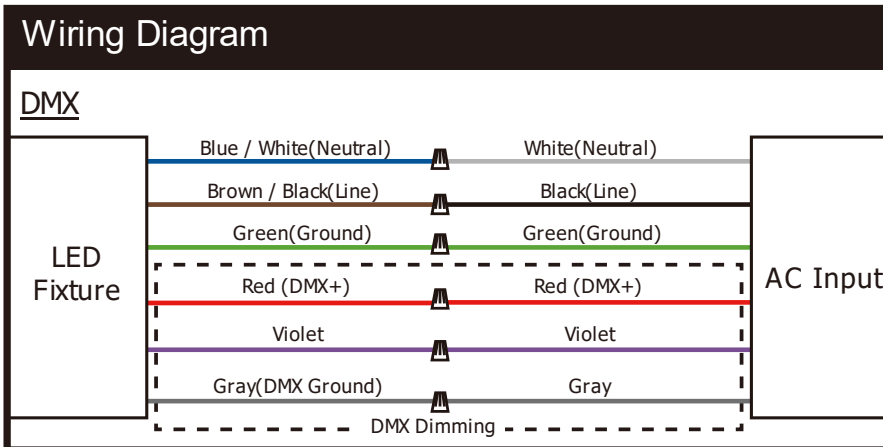


Connect DMX by using a standard shielded CAT5/6 cable.



Connect DMX by using a standard DMX512 XLR cable with 5 pin in/out connector (by others).

## DMX Wall Mount Wiring Diagram



- When placing order, please indicate DMX address. (The DMX address will be listed on the back of the fixture.)
- The LED fixture will have 2 DMX positive / Negative wires for connection.
- The final fixture should be terminated by the use of DMX Terminator (by others).

## Compatible TRIAC Dimmer List

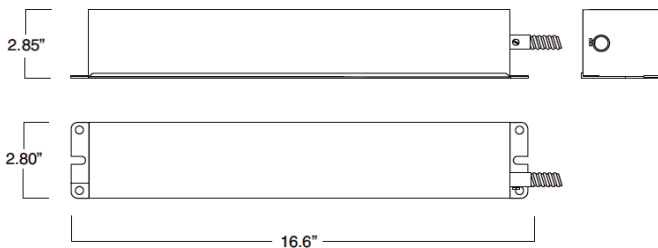
LUTRON PART NO

RRD-6NA-	RRT-G5NEW-	RRT-GH	HQRD-10ND-	HQRT-GH	HQRD-HN	PD-10NXD-
RRD-6ND	RRT-G25LW-	HQRD-6NA-	MRF2-6ND-120-	HQRT-G25LW-	GT-250M-	PD-5NE-
RRD-10ND-	RRD-HN	HQRD-6ND-	MRF2S-6ND-120-	HQRT-G5NEW-	GTJ-250M-	

## Emergency Pack Lumen Output Table

CCT	2700K	3000K	4000K	5000K
Lumen	1640 lm	1760 lm	1890 lm	1950 lm

## Remote Emergency Pack



## Mounting with standard ceiling recessed Junction BOX

