

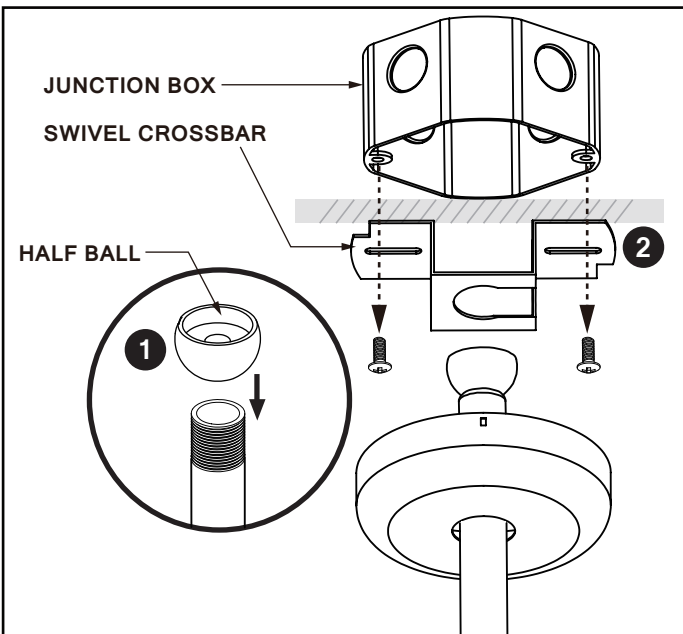
ADVANCED HIGH CEILING Atria 6 - Stem



IMPORTANT SAFETY INFORMATION. READ AND FOLLOW ALL SAFETY INSTRUCTIONS

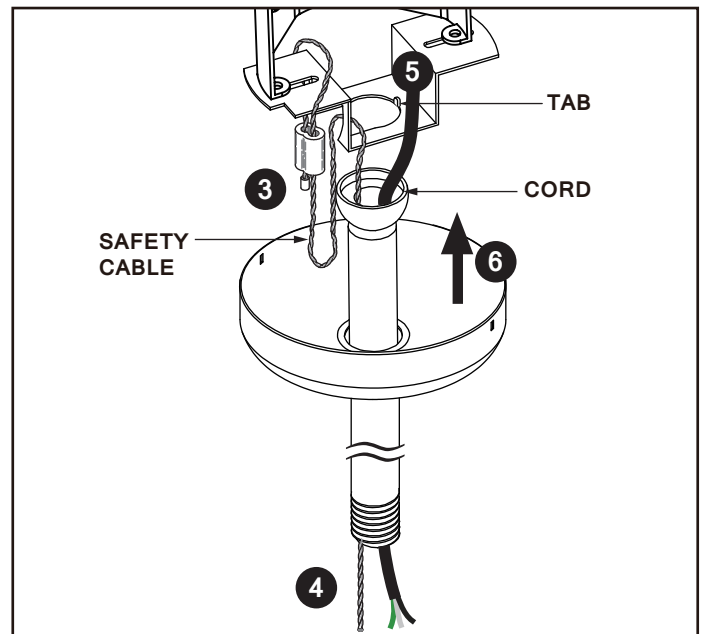
IMPORTANT SAFETY INFORMATION. READ AND FOLLOW ALL SAFETY INSTRUCTIONS. Before wiring to power supply and during servicing or relamping, turn off power at fuse or circuit breaker. All servicing or relamping must be performed by qualified service personnel. Product must be grounded to avoid potential electric shock or other potential hazard. Product must be at locations and at heights and in a manner consistent with its intended use, and in compliance with Electrical Code and local codes.
SAVE THESE INSTRUCTIONS FOR FUTURE REFERENCE.

0-10V / Triac / ECO



Step 1
Secure half ball with stem.

Step 2
Attach swivel crossbar to junction box (Not provided).



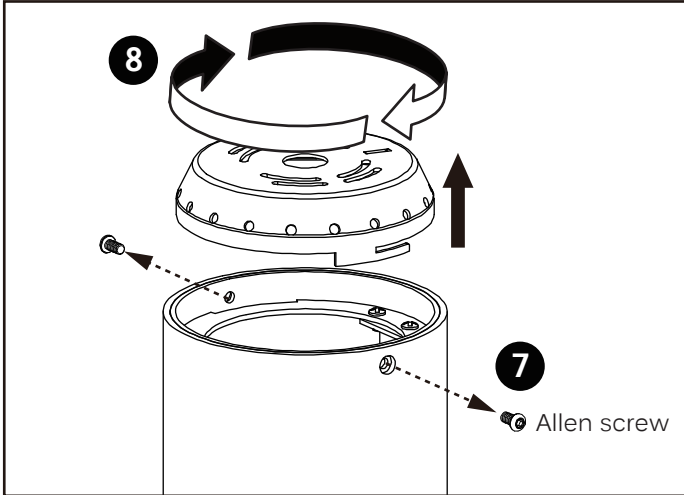
Step 3
Loop the safety cable around swivel crossbar.

Step 4
Feed the safety cable and power cord through the stem and insert half ball joint into slot on swivel crossbar. Align the slot on ball joint with the tab on the swivel crossbar.

Step 5
Make electrical connections in junction box.

Step 6
Install canopy cover by aligning the tabs on crossbar with slots in the cover.

ADVANCED HIGH CEILING Atria 6 - Stem

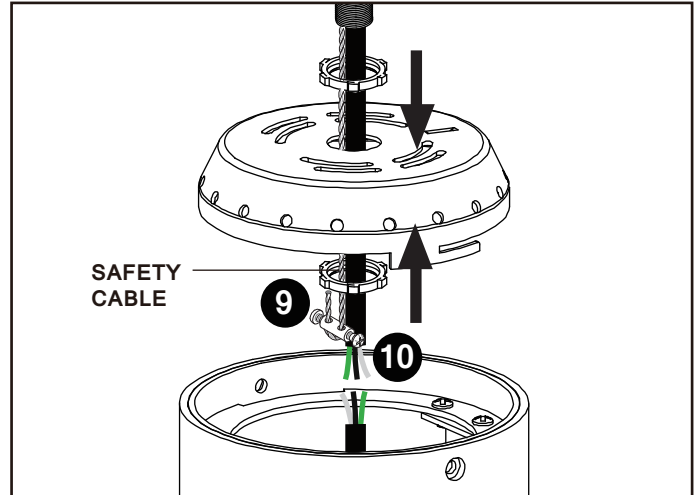


Step 7

Loosen two Allen screws. Twist and remove the lid from fixture.

Step 8

Screw one nut before lid and another after lid. Ensure stem is securely fastened to lid fixture.

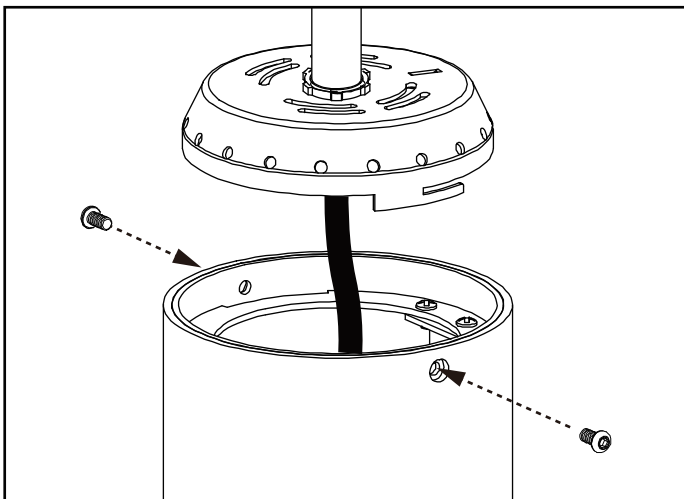


Step 9

Insert the safety cable through safety cable slot on lid and loop the safety cable using locking tube on the other side of stem and tighten the screws.

Step 10

Make electric connection inside the fixture. (See below)



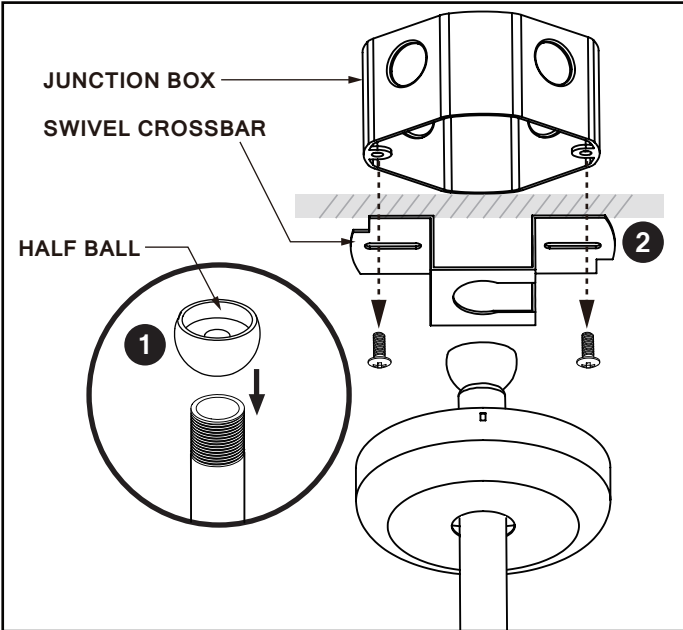
Step 11

Replace lid and secure two Allen screws.

ADVANCED HIGH CEILING Atria 6 - Stem

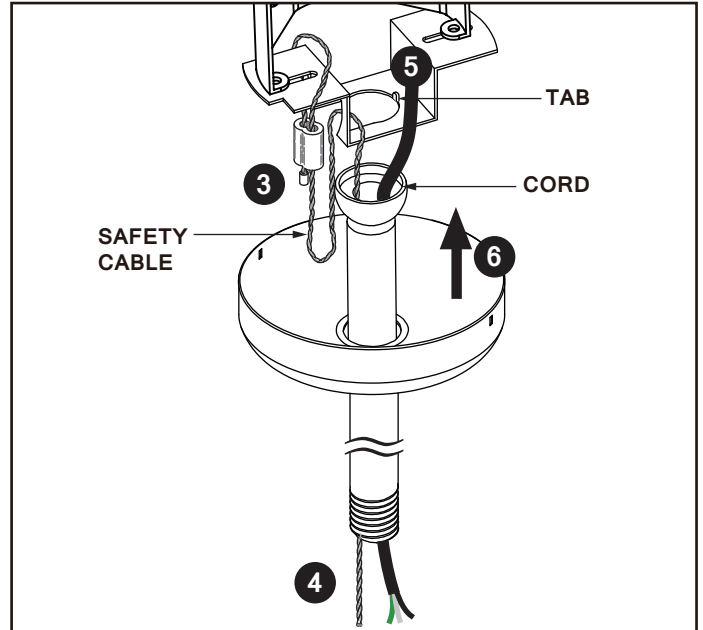


DMX



Step 1
Secure half ball with stem.

Step 2
Attach swivel crossbar to junction box (Not provided).



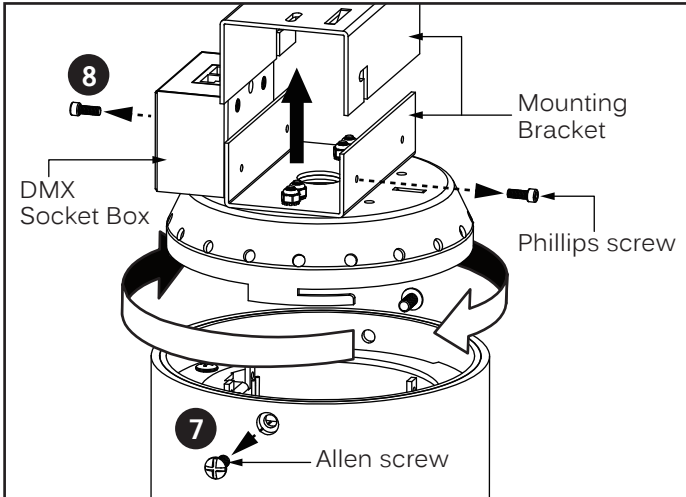
Step 3
Loop the safety cable around swivel crossbar.

Step 4
Feed the safety cable and power cord through the stem and insert half ball joint into slot on swivel crossbar. Align the slot on ball joint with the tab on the swivel crossbar.

Step 5
Make electrical connections in junction box.

Step 6
Install canopy cover by aligning the tabs on crossbar with slots in the cover.

ADVANCED HIGH CEILING Atria 6 - Stem

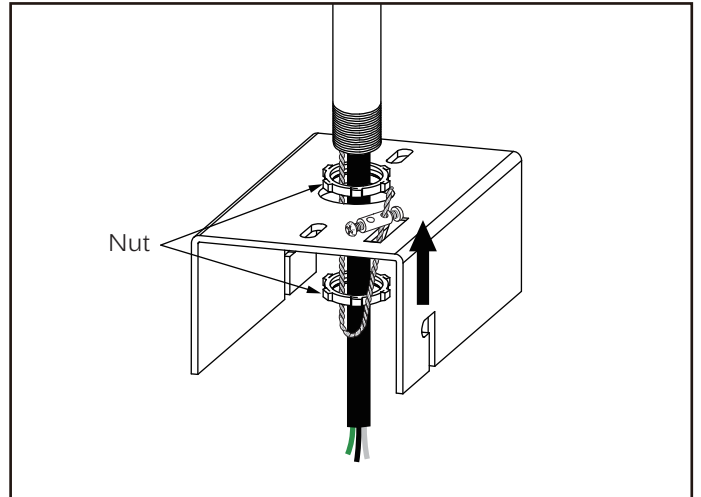


Step 7

Loosen two Allen screws on the side of fixture. Twist and remove the Top Plate from cylinder fixture.

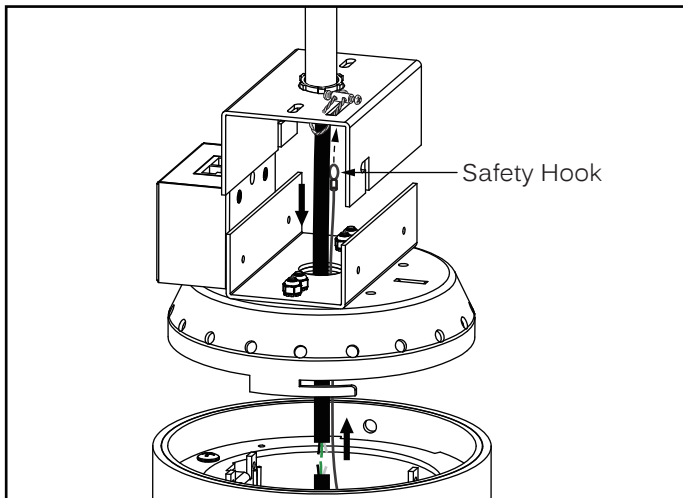
Step 8

Loosen the four phillips screws on the side of the mounting bracket and remove it.



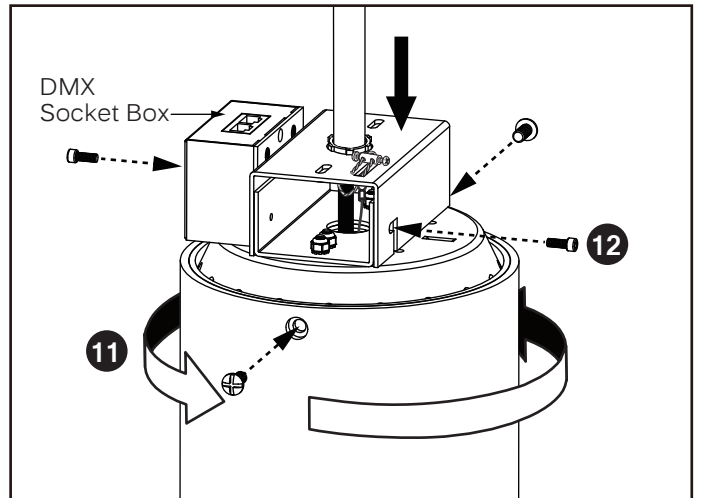
Step 9

Place two screw nuts on either side of the mounting bracket, making sure the safety cable is also placed through, loop and fasten the safety cable through the slot available on the mounting bracket.



Step 10

Route AC cable and safety hook through the Top Plate side hole, and connect the power wires to wires from the fixture (see P6 for circuit diagram).



Step 11

Fasten Top Plate to fixture until it latches on Top Plate and the inside fixture is aligned, and screw the two Allen screws on the side of fixture.

Step 12

Insert the mounting bracket, and screw the four phillips screws on the side of the fixture, finally secure the safety hook.

ADVANCED HIGH CEILING Atria 6 - Stem

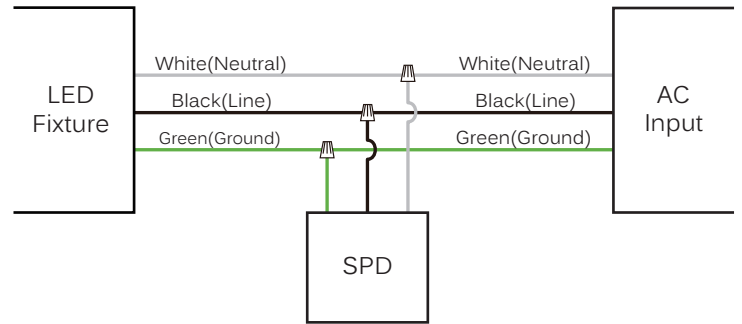


Wiring Diagram

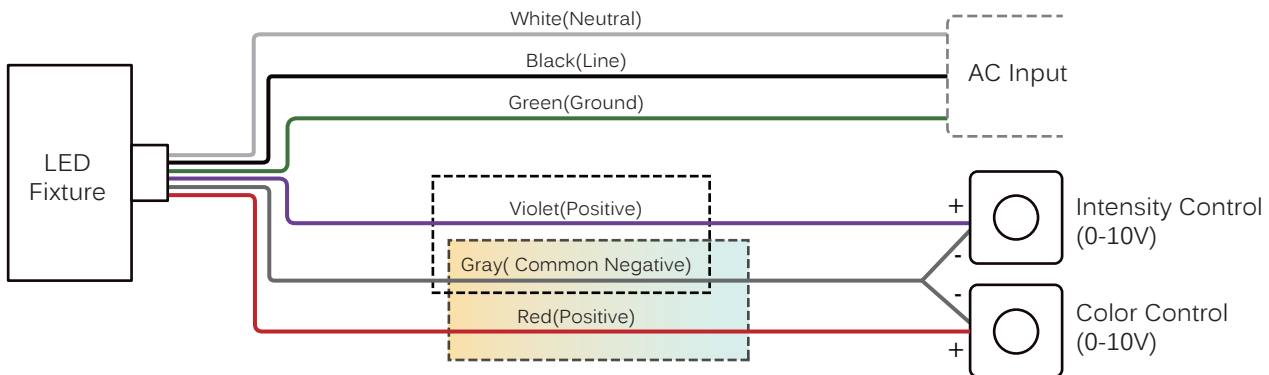
0-10V / Superior 0-10V



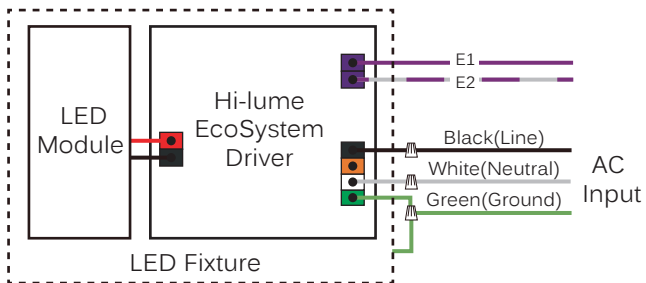
SPD



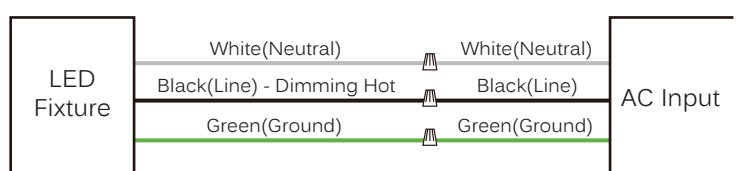
Superior 0-10V Tunable White



ECO



TRIAC



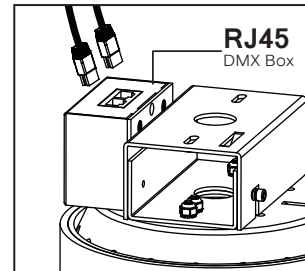
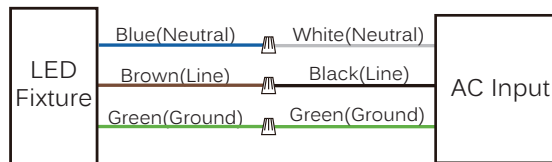
ADVANCED HIGH CEILING

Atria 6 - Stem

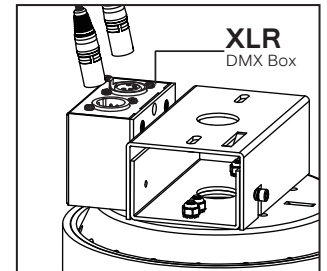


Wiring Diagram

DMX / DMX Tunable White



Connect DMX by using a standard shielded CAT5/6 cable.



Connect DMX by using a standard DMX512 XLR cable with 5 pin in/out connector (by others).

***The last fixture has to be terminated with a DMX Terminator (by others).**

Application note : Wiring for DMX/RDM lighting systems

DMX/RDM is a robust and reliable system for lighting control. However, if not implemented correctly, problems can arise such as random flashing of lights, erratic operation and delays in responding to commands. This document explains the best practices in DMX wiring.

Important things to consider are:

1. DMX is a three-wire system. Use all three!
2. DMX is based on the EIA-485/RS-485 standard.
3. Always use cable specifically designed for DMX / RS-485. These cables have an impedance of 120Ω and a low capacitance. For instance : Belden 9841 or 3105a.
4. DMX must be terminated with a 120Ω resistor to prevent reflections.
5. A daisy chain topology should be used.
6. After 32 unit loads a repeater/booster should be used.
(Important : For tunable white fixtures, After "32" unit loads a repeater/booster should be used.)
7. Keep cabling below 200 meters between the controller and the last driver.
8. It is generally considered good practice to provide separate DMX in and DMX out / DMX thru connections to your fixture to aid in installation. This can be in the form of pigtails, RJ-45 connectors or 5-pin XLR connectors.
9. Use twisted pair cables with an impedance of 120Ω and a low capacitance.
10. UTP Cat5 or Cat6 network cable can also be used but have a slightly lower impedance of 100Ω.
11. If shielded cable is used, only connect shield to ground on one side (typically, the controller should have its shield terminal connected to ground).
12. Not following the above recommendations may seem to work at first, but can cause problems. Sometimes after weeks of seemingly normal operation.