

ADVANCED HIGH CEILING

Atria 4 - Standard



Architectural 4-inch aperture cylinder that balances elegant design with best-in-class performance. Lumen package range of 1338 lm – 5650lm. Damp location rated for indoor use only.



Quantity	Type
Project	Note

Electrical System

- 1500lm (15W)
- 2205lm (25W)
- 2690lm (35W)
- 4305lm (45W)
- 5650lm (65W)
- Power Input: Universal (120-277V)
- Operating Temperature: -13°F~104°F
- Surge Protection: 2.5KV
- Remote Emergency Pack: Bodine BSL20LV
- Power Factor Greater than 0.9

LED Technology

- 2700K, 3000K, 3500K, 4000K
- 85 CRI, 93 CRI
- Beam Angle: 15°, 25°, 35°, 60°, WD
- Glowing Ring Option
- Rated Life > 60,000 Hours (L70)

Advanced Dimming

(Proprietary VX Driver is incorporated to all dimming options for video flicker-free lighting)

- DMX: high resolution dims to 0.1% (Supports ANSI E1.20 RDM protocol)
- Standard 0-10V: dims to 10%
- Superior 0-10V: dims to 1%
- DALI: dims to 10%

15W/25W/35W/45W only:
 - LTE: Hi-Lume 1% 2-wire LED Driver (120V forward phase only)
 - LDE1: Hi-Lume 1% EcoSystem LED Driver with Soft-on, Fade-to-Black (UNV only)

Housing

- Diameter: 4.8" (122mm)
- Height: 12.6" (320mm)
- Material: Aluminum
- Weight: 8 lbs

Mounting

- Surface Mount
- Stem 2ft or 4ft; 45° Swivel Canopy Included
- Adjustable Aircraft Cable 10ft
- Sloped Adjustable Aircraft Cable 10ft
- Wall Mount
- Yoke Mount

Warranty

- 5-year limited warranty

Listing

- Energy Star Rated
- ETL Damp Location Listed
- FCC
- CE



Atria 4 - Standard






How To Specify:

Ordering Example: AS4-45-408-UNV-DMX-25-STD-BLK-SUM

4-5 weeks lead time on over 75% of specifications.

Model	Wattage	CCT / CRI	Voltage	Dimming
AS4			UNV	
AS4	15 15W	278 2700K / CRI85	UNV 120-277V	SPV Superior 0-10V dims to 1%
Atria 4	25 25W	308 3000K / CRI85		STV Standard 0-10V dims to 10%
	35 35W	358 3500K / CRI85		DMX¹ DMX dims to 0.1% (XLR Sockets)
	45 45W	408 4000K / CRI85		DMX(RJ45)¹ DMX dims to 0.1% (RJ45 Sockets)
	65 65W	279 2700K / CRI93		LTE² Hi-Lume 1% 2-wire LED Driver (120V forward phase only)
		309 3000K / CRI93		LDE1² Hi-Lume 1% EcoSystem LED Driver with Soft-on, Fade-to-Black (UNV only)
		359 3500K / CRI93	DALI² DALI dims to 10%	
				¹ DMX option not compatible with WLM
				² Option is not compatible with 65W.

Beam Angle	Finish	Rim Finish	Mounting	Accessories
15 15°	BLK Black WHT White	 STD Standard Trim  GLR Glow Trim  MLT Mid-Lit Trim	SUM Surface Mount	DF* Diffuser
25 25°			ST2 Stem 2ft	EMP Remote Emergency Pack
35 35°	ST4 Stem 4ft			
60 60°	AD10 Adjustable Cable 10ft			
WD* WIDE	SAD10 Sloped Adjustable Cable 10ft			
	YKM Yoke Mount			
	WLM Wall Mount			
<p>*Please factor in -20% change in lumen output with diffuser.</p>				<p>*Please factor in change in lumen output with diffuser (-20% with WD; -12% with other degrees).</p>

Atria 4 - Standard

Delivered Lumens*

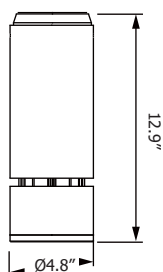
Wattage	15W	25W	35W	45W	65W
CCT	Beam Angle: 25°				
4000K	1500 lm	2205 lm	2690 lm	4305 lm	5650 lm
3500K	1460 lm	2180 lm	2620 lm	4210 lm	5590 lm
3000K	1380 lm	2060 lm	2480 lm	3980 lm	5280 lm
2700K	1338 lm	1990 lm	2400 lm	3720 lm	5120 lm

*Tolerance±8%

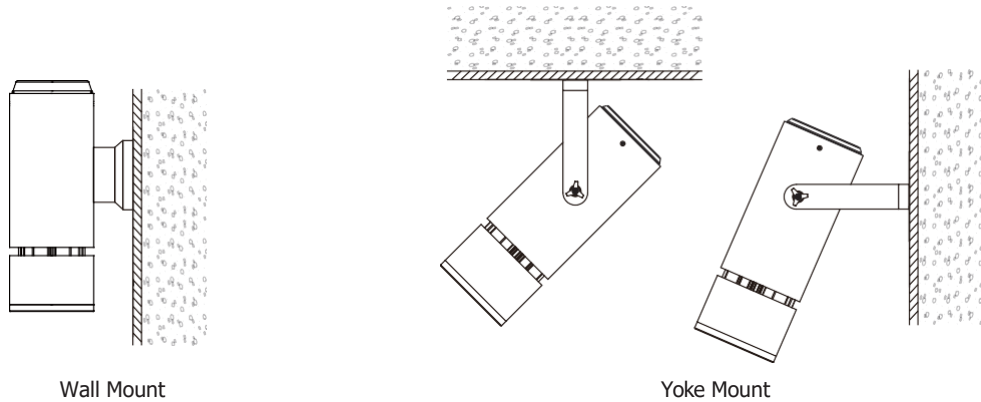
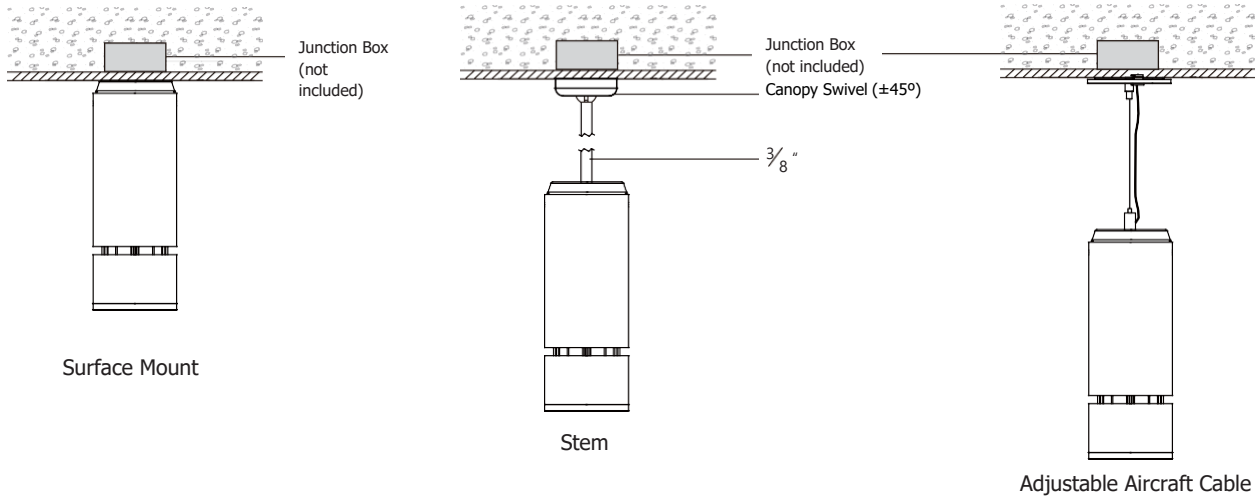
Current Consumption

Wattage	120V	277V
15W	0.17A	0.08A
25W	0.23A	0.11A
35W	0.34A	0.15A
45W	0.45A	0.20A
65W	0.64A	0.29A

Dimensions



Mounting Options



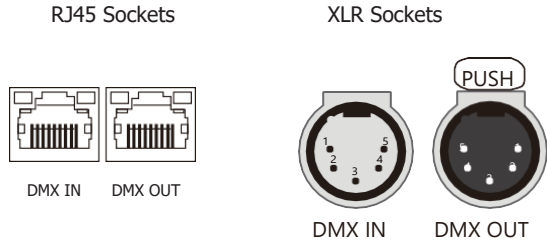
Atria 4 - Standard

DMX Requirements*

The Atria 4 LED fixture with DMX is a ONE CHANNEL DMX unit.

When placing order, please indicate DMX address. (The DMX address will be listed on the back of the fixture.) The LED fixture provide RJ45 Socket or XLR socket to connect. (DMX cable NOT included.)

The final fixture should be terminated by the use of DMX Terminator (by others).



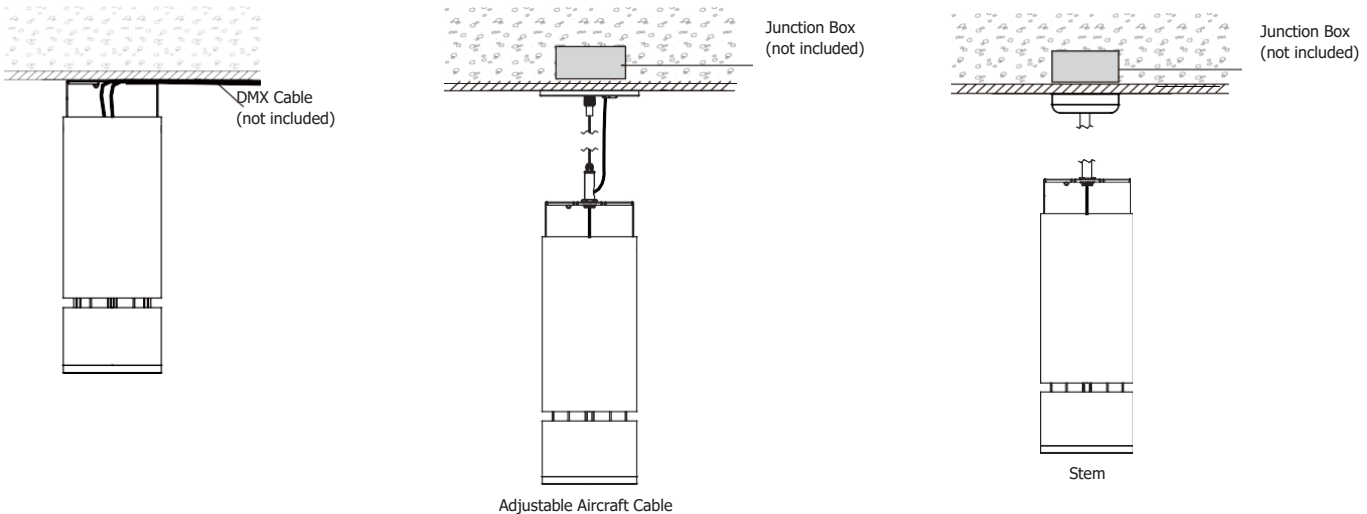
CONNECTION	RJ45 (CAT5e)	5-PIN XLR
Common	WHITE/BROWN(PIN7) & BROWN (PIN 8)	PIN 1
Signal -	ORANGE (PIN 2)	PIN 2
Signal +	WHITE/ORANGE (PIN 1)	PIN 3
Spare	-	PIN 4
Spare	-	PIN 5

Compatible DMX Cabling List

DMX uses a cable consisting of two twisted pairs plus a shield to carry data. The cable must be specifically impedance matched for the digital DMX signal, meaning that microphone cable or other non-rated cable **must not be used to carry DMX**. Network cable (Cat5, 5e or 6 cable) may be used to carry DMX in an installation; however special consideration must be given to shielding and termination. Under no circumstances should solid core cable like Cat5 be terminated into a screw down connector.

Meteor recommends the use of Belden 9729 for DMX installation. Belden 9729 is a two pair cable, which allows for a spare pair for 'out and back' type terminations if needed. Below is a list of other compatible Belden cables.

DMX Mounting Configurations



Compatible LTE Dimmer List

LUTRON PART NO.

RRD-6NA-	RRT-G5NEW-	RRT-GH	HQRD-10ND-	HQRT-GH	HQRD-HN	PD-10NXD-
RRD-6ND	RRT-G25LW-	HQRD-6NA-	MRF2-6ND-120-	HQRT-G25LW-	GT-250M-	PD-5NE-
RRD-10ND-	RRD-HN	HQRD-6ND-	MRF2S-6ND-120-	HQRT-G5NEW-	GTJ-250M-	

Emergency Pack Lumen Output Table

CCT	2700K	3000K	4000K	5000K
Lumen	1640 lm	1760 lm	1890 lm	1950 lm

Remote Emergency Pack

