

ADVANCED HIGH CEILING
REV 6 - Retrofit



6-inch aperture high lumen recessed downlight with lumen output 3470 – 10450lm for new and retrofit applications.



| | |
|----------|------|
| Quantity | Type |
| Project | Note |

Electrical System

- 3990lm (40W)
- 6490lm (60W)
- 8040lm (80W)
- 10450lm (100W)
- Power Input: 120V or 277V
- Operating Temperature: -40°F~112°F
- Surge Protection: 4KV
- Emergency Pack with Mounting Plate: Bodine BSL20LV
- Power Factor Greater than 0.9

LED Technology

- 2700K, 3000K, 3500K, 4000K, 5000K
- 75 CRI, 85 CRI, 93 CRI
- Beam Angle: 40°, 60°, 100° (with diffuser)
- Rated Life > 60,000 hours (L70)

Advanced Dimming

(Proprietary VX Driver is incorporated to all dimming options for video flicker-free lighting)

- **Standard 0-10V** dims to 10%
- **Superior 0-10V:** dim to 1 %
- **DMX:** high resolution dims to 0.1% (Supports ANSI E1.20 RDM protocol)
- **LTE:** Hi-Lume 1% 2-wire LED Driver (120V forward phase only)
- **LDE1:** Hi-Lume 1% EcoSystem LED Driver with Soft-on, Fade-to-Black (UNV only)
- **DALI:** dims to 10%

Retrofit

- Non-IC Rated, insulation must be kept > 1ft from housing
- Aperture: 6.3" (160mm)
- Opening of Mounting Frame: 6.35" (162mm) to 7.0" (178mm) Max
- Oversize Trim: 8" (203mm)
- Maximum Ceiling Thickness: 2" (50.8mm)
- Tool-less top access allows service from above and below.
- Light engine, optics, and driver(s) accessible from below ceiling
- Weight: 11.02lbs
- Goof Ring 8": Aluminum, standard white finish; O. D. 10"; other

Warranty

- 5 years limited warranty.

Listing

- ETL Damp Location Listed
- FCC



How To Specify:

Ordering Example: RS6R-80-308-120-SPV-40-BLK

4-5 weeks lead time on over 75% of specifications.

| Model | Wattage | CCT / CRI | Voltage | Dimming |
|---------------------|-----------------|--------------------------|-----------------|---|
| RS6R | | | | |
| RS6R | 40 40W | 278 2700K / CRI85 | 120 120V | NOD Non-Dimming |
| REV 6 inch Retrofit | 60 60W | 308 3000K / CRI85 | 277 277V | STV Standard 0-10V dims to 10% |
| | 80 80W | 358 3500K / CRI85 | | SPV Superior 0-10V dims to 1% |
| | 100 100W | 408 4000K / CRI85 | | DMX DMX dims to 0.1% (XLR Sockets) |
| | | 507 5000K / CRI75 | | DMX(RJ45) DMX dims to 0.1% (RJ45 Sockets) |
| | | 279 2700K / CRI93 | | LTE Hi-Lume 1% 2-wire LED Driver (120V forward phase only) |
| | | 309 3000K / CRI93 | | LDE1 Hi-Lume 1% EcoSystem LED Driver with Soft-on, Fade-to-Black (UNV only) |
| | | 359 3500K / CRI93 | | DALI* DALI dims to 10% |
| | | | | *Option not available for 100W. |

Beam Angle Finish Accessories

| | | |
|---|------------------|---|
| 40 40° | BLK Black | SPD¹ Honey Comb |
| 60 60° | WHT White | DF² Diffuser |
| WD* WIDE | | GR8³ Goof Ring 8" to 10" |
| *Please factor in change in lumen output with diffuser (-20% with WD; -12% with other degrees). | | ¹ Surge protector for up to 10KV. Applicable for unstable mains or facilities using high power machineries. ² Please factor in change in lumen output with diffuser (-20% with WD; -12% with other degrees). ³ Includes New Reflector. |

Delivered Lumens*

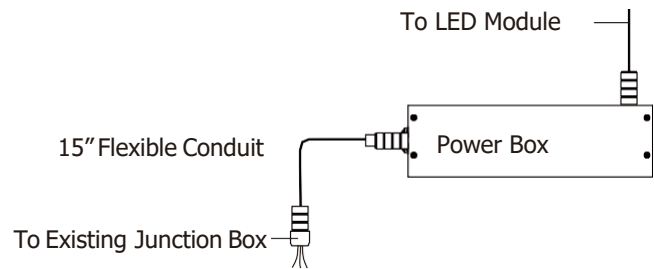
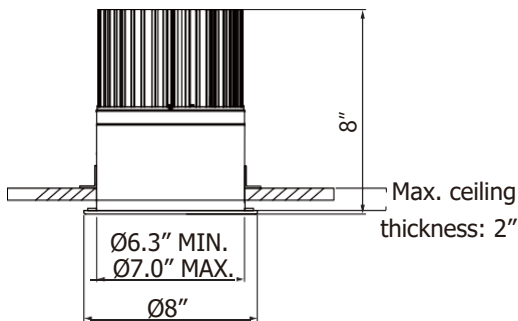
| Wattage \ CCT | 40W | 60W | 80W | 100W |
|-----------------|---------|---------|---------|----------|
| Beam Angle: 40° | | | | |
| 5000K | 3990 lm | 6490 lm | 8040 lm | 10450 lm |
| 4000K | 3895 lm | 6180 lm | 7845 lm | 9250 lm |
| 3500K | 3710 lm | 5890 lm | 7620 lm | 9130 lm |
| 3000K | 3640 lm | 5780 lm | 7195 lm | 8900 lm |
| 2700K | 3470 lm | 5500 lm | 6725 lm | 8210 lm |

*Tolerance±8%

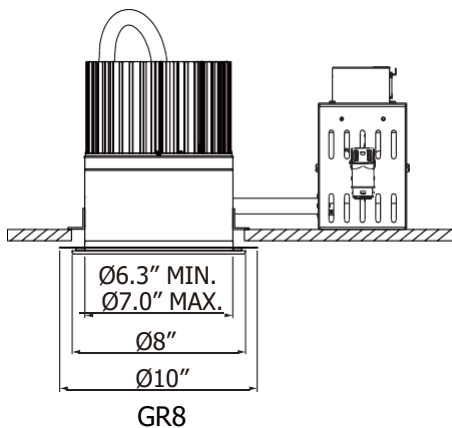
Current Consumption

| Wattage \ Volt | 120V | 277V |
|----------------|-------|-------|
| 40W | 0.37A | 0.16A |
| 60W | 0.55A | 0.24A |
| 80W | 0.73A | 0.32A |
| 100W | 0.92A | 0.40A |

Dimensions



Goof Ring



DMX Requirements

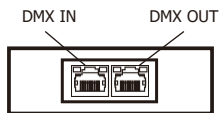
The REV 6 LED fixture with DMX is a ONE CHANNEL DMX unit.

When placing order, please indicate DMX address. (The DMX address will be listed on the back of the fixture.)

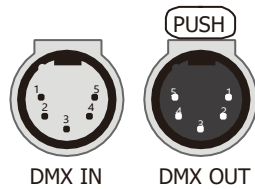
The LED fixture provide RJ45 Socket or XLR socket to connect. (DMX cable NOT included.)

The final fixture should be terminated by the use of DMX Terminator (by others).

RJ45 Sockets



XLR Sockets



| CONNECTION | RJ45 (CAT5e) | 5-PIN XLR |
|------------|-----------------------------------|-----------|
| Common | WHITE/BROWN(PIN7) & BROWN (PIN 8) | PIN 1 |
| Signal - | ORANGE (PIN 2) | PIN 2 |
| Signal + | WHITE/ORANGE (PIN 1) | PIN 3 |
| Spare | - | PIN 4 |
| Spare | - | PIN 5 |

Compatible DMX Cabling List

DMX uses a cable consisting of two twisted pairs plus a shield to carry data. The cable must be specifically impedance matched for the digital DMX signal, meaning that microphone cable or other non-rated cable **must not be used to carry DMX**. Network cable (Cat5, 5e or 6 cable) may be used to carry DMX in an installation; however special consideration must be given to shielding and termination. Under no circumstances should solid core cable like Cat5 be terminated into a screw down connector.

Meteor recommends the use of Belden 9729 for DMX installation. Belden 9729 is a two pair cable, which allows for a spare pair for 'out and back' type terminations if needed. Below is a list of other compatible Belden cables.

Compatible LTE Dimmer List

LUTRON PART NO.

| | | | | | | |
|-----------|------------|-----------|----------------|-------------|-----------|-----------|
| RRD-6NA- | RRT-G5NEW- | RRT-GH | HQRD-10ND- | HQRT-GH | HQRD-HN | PD-10NXD- |
| RRD-6ND | RRT-G25LW- | HQRD-6NA- | MRF2-6ND-120- | HQRT-G25LW- | GT-250M- | PD-5NE- |
| RRD-10ND- | RRD-HN | HQRD-6ND- | MRF2S-6ND-120- | HQRT-G5NEW- | GTJ-250M- | |