



6-inch aperture high lumen recessed downlight with lumen output 3470 – 10450lm for new and retrofit applications.



Quantity	Type
Project	Note

**Electrical System**

- 3990lm (40W)
- 6490lm (60W)
- 8040lm (80W)
- 10450lm (100W)
- Power Input: 120V or 277V
- Operating Temperature: -40°F~112°F
- Surge Protection: 4KV
- Emergency Pack with Mounting Plate: Bodine BSL20LV
- Power Factor Greater than 0.9

**LED Technology**

- 2700K, 3000K, 3500K, 4000K, 5000K
- 75 CRI, 85 CRI, 93 CRI
- Beam Angle: 40°, 60°, 100° (with diffuser)
- Rated Life > 60,000 hours (L70)

**Advanced Dimming**

(Proprietary VX Driver is incorporated to all dimming options for video flicker-free lighting)

- **Standard 0-10V** dims to 10%
- **Superior 0-10V:** dim to 1 %
- **DMX:** high resolution dims to 0.1% (Supports ANSI E1.20 RDM protocol)
- **LTE:** Hi-Lume 1% 2-wire LED Driver (120V forward phase only)
- **LDE1:** Hi-Lume 1% EcoSystem LED Driver with Soft-on, Fade-to-Black (UNV only)
- **DALI:** dims to 10%

**Retrofit**

- Non-IC Rated, insulation must be kept > 1ft from housing
- Aperture: 6.3" (160mm)
- Opening of Mounting Frame: 6.35" (162mm) to 7.0" (178mm) Max
- Oversize Trim: 8" (203mm)
- Maximum Ceiling Thickness: 2" (50.8mm)
- Tool-less top access allows service from above and below.
- Light engine, optics, and driver(s) accessible from below ceiling
- Weight: 11.02lbs
- Goof Ring 8": Aluminum, standard white finish; O. D. 10"; other

**Warranty**

- 5 years limited warranty.

**Listing**

- ETL Damp Location Listed
- FCC



**How To Specify:**

**Ordering Example: RS6R-80-308-120-SPV-40-BLK**

**4-5 weeks lead time on over 75% of specifications.**

Model	Wattage	CCT / CRI	Voltage	Dimming
<b>RS6R</b>				
RS6R	<b>40</b> 40W	<b>278</b> 2700K / CRI85	<b>120</b> 120V	<b>NOD</b> Non-Dimming
REV 6 inch Retrofit	<b>60</b> 60W	<b>308</b> 3000K / CRI85	<b>277</b> 277V	<b>STV</b> Standard 0-10V dims to 10%
	<b>80</b> 80W	<b>358</b> 3500K / CRI85		<b>SPV</b> Superior 0-10V dims to 1%
	<b>100</b> 100W	<b>408</b> 4000K / CRI85		<b>DMX</b> DMX dims to 0.1% (XLR Sockets)
		<b>507</b> 5000K / CRI75		<b>DMX(RJ45)</b> DMX dims to 0.1% (RJ45 Sockets)
		<b>279</b> 2700K / CRI93		<b>LTE</b> Hi-Lume 1% 2-wire LED Driver (120V forward phase only)
		<b>309</b> 3000K / CRI93		<b>LDE1</b> Hi-Lume 1% EcoSystem LED Driver with Soft-on, Fade-to-Black (UNV only)
		<b>359</b> 3500K / CRI93		<b>DALI*</b> DALI dims to 10%

\*Option not available for 100W.

**Beam Angle**

**Finish**

**Accessories**

<b>40</b> 40°	<b>BLK</b> Black	<b>SSR</b> Semi-Specular Reflector
<b>60</b> 60°	<b>WHT</b> White	<b>SPD<sup>1</sup></b> Surge Protector
<b>WD*</b> WIDE		<b>DF<sup>2</sup></b> Diffuser
		<b>GR8<sup>3</sup></b> Goof Ring 8" to 10"
<p><small>*Please factor in change in lumen output with diffuser (-20% with WD; -12% with other degrees).</small></p> <p><small>*Finish indicates Trim only, with standard matte silver reflector.</small></p> <p><small><sup>1</sup>Surge protector for up to 10KV. Applicable for unstable mains or facilities using high power machineries.</small></p> <p><small><sup>2</sup>Please factor in change in lumen output with diffuser (-20% with WD; -12% with other degrees).</small></p> <p><small><sup>3</sup>Includes New Reflector.</small></p>		

ADVANCED HIGH CEILING  
**REV 6 - Retrofit**



**Delivered Lumens\***

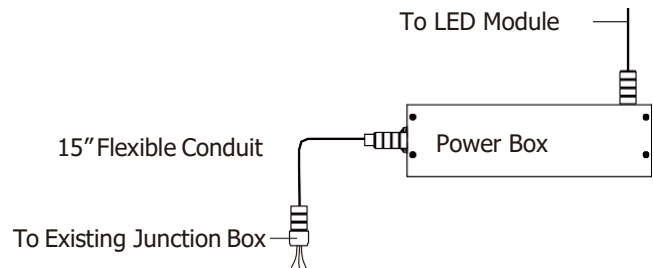
Wattage \ CCT	40W	60W	80W	100W
	Beam Angle: 40°			
5000K	3990 lm	6490 lm	8040 lm	10450 lm
4000K	3895 lm	6180 lm	7845 lm	9250 lm
3500K	3710 lm	5890 lm	7620 lm	9130 lm
3000K	3640 lm	5780 lm	7195 lm	8900 lm
2700K	3470 lm	5500 lm	6725 lm	8210 lm

\*Tolerance±8%

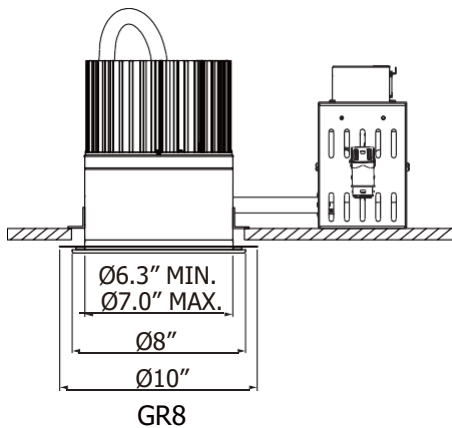
**Current Consumption**

Wattage \ Volt	120V	277V
40W	0.37A	0.16A
60W	0.55A	0.24A
80W	0.73A	0.32A
100W	0.92A	0.40A

**Dimensions**



**Goof Ring**



### DMX Requirements

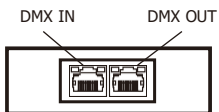
The REV 6 LED fixture with DMX is a ONE CHANNEL DMX unit.

When placing order, please indicate DMX address. (The DMX address will be listed on the back of the fixture.)

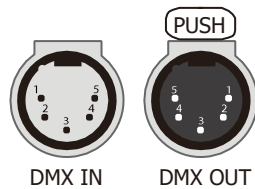
The LED fixture provide RJ45 Socket or XLR socket to connect. (DMX cable NOT included.)

The final fixture should be terminated by the use of DMX Terminator (by others).

RJ45 Sockets



XLR Sockets



CONNECTION	RJ45 (CAT5e)	5-PIN XLR
Common	WHITE/BROWN(PIN7) & BROWN (PIN 8)	PIN 1
Signal -	ORANGE (PIN 2)	PIN 2
Signal +	WHITE/ORANGE (PIN 1)	PIN 3
Spare	-	PIN 4
Spare	-	PIN 5

### Compatible DMX Cabling List

DMX uses a cable consisting of two twisted pairs plus a shield to carry data. The cable must be specifically impedance matched for the digital DMX signal, meaning that microphone cable or other non-rated cable **must not be used to carry DMX**. Network cable (Cat5, 5e or 6 cable) may be used to carry DMX in an installation; however special consideration must be given to shielding and termination. Under no circumstances should solid core cable like Cat5 be terminated into a screw down connector.

Meteor recommends the use of Belden 9729 for DMX installation. Belden 9729 is a two pair cable, which allows for a spare pair for 'out and back' type terminations if needed. Below is a list of other compatible Belden cables.

### Compatible LTE Dimmer List

LUTRON PART NO.

RRD-6NA-	RRT-G5NEW-	RRT-GH	HQRD-10ND-	HQRT-GH	HQRD-HN	PD-10NXD-
RRD-6ND	RRT-G25LW-	HQRD-6NA-	MRF2-6ND-120-	HQRT-G25LW-	GT-250M-	PD-5NE-
RRD-10ND-	RRD-HN	HQRD-6ND-	MRF2S-6ND-120-	HQRT-G5NEW-	GTJ-250M-	