



6-inch aperture high lumen recessed downlight with lumen output 3470 – 10450lm for new and retrofit applications.

- Tunable White
(Please refer to Tunable White Version spec sheet)



Quantity	Type
Project	Note

Electrical System

- 3990lm (40W) 6490lm (60W)
- 8040lm (80W)
- 10450lm (100W)
- Power Input: 120V or 277V
- Operating Temperature: -40°F~112°F
- Surge Protection: 4KV
- Emergency Pack with Mounting Plate: Bodine BSL20LV
- Power Factor Greater than 0.9

LED Technology

- 2700K, 3000K, 3500K, 4000K, 5000K
- 75 CRI, 85 CRI, 93 CRI
- Beam Angle: 40°, 60°, 100° (with diffuser)
- Rated Life > 60,000 hours (L70)

Advanced Dimming

(Proprietary VX Driver is incorporated to all dimming options for video flicker-free lighting)

- **Standard 0-10V** dims to 10%
- **Superior 0-10V:** dim to 1 %
- **DMX:** high resolution dims to 0.1%
 (Supports ANSI E1.20 RDM protocol)
- **LTE: Hi-Lume 1% 2-wire LED Driver (120V forward phase only)**
- **LDE1: Hi-Lume 1% EcoSystem LED Driver with Soft-on, Fade-to-Black (UNV only)**
- **DALI:** dims to 10%

Retrofit

- Non-IC Rated, insulation must be kept > 1ft from housing
- Aperture: 6.3" (160mm)
- Opening of Mounting Frame: 6.35" (162mm) to 7.0" (178mm) Max
- Oversize Trim: 8" (203mm)
- Maximum Ceiling Thickness: 2" (50.8mm)
- Tool-less top access allows service from above and below.
- Light engine, optics, and driver(s) accessible from below ceiling
- Weight: 11.02lbs
- Goof Ring 8": Aluminum, standard white finish; O. D. 10"; other

Warranty

- 5 years limited warranty.

Listing

- ETL Damp Location Listed
- FCC



How To Specify:

Ordering Example: RS6R-80-308-UNV-SPV-40-BLK

4-5 weeks lead time on over 75% of specifications.

Model	Wattage	CCT / CRI	Voltage	Dimming
RS6R				
RS6R	40 40W	278 2700K / CRI85	UNV 120-277V	NOD Non-Dimming
REV 6 inch Retrofit	60 60W	308 3000K / CRI85		STV Standard 0-10V dims to 10%
	80 80W	358 3500K / CRI85		SPV Superior 0-10V dims to 1%
	100 100W	408 4000K / CRI85		DMX DMX dims to 0.1% (XLR Sockets)
		507 5000K / CRI75		DMX(RJ45) DMX dims to 0.1% (RJ45 Sockets)
		279 2700K / CRI93		LTE Hi-Lume 1% 2-wire LED Driver (120V forward phase only)
		309 3000K / CRI93		LDE1 Hi-Lume 1% EcoSystem LED Driver with Soft-on, Fade-to-Black (UNV only)
		359 3500K / CRI93		DALI* DALI dims to 10%
*Option not available for 100W.				

Beam Angle	Finish	Accessories
40 40°	BLK Black	SPD¹ Honey Comb
60 60°	WHT White	DF² Diffuser
WD* 100° (with diffuser)		GR8³ Goof Ring 8" to 10"
*Please factor in change in lumen output with diffuser (-20% with WD; -12% with other degrees).		¹ Surge protector for up to 10KV. Applicable for unstable mains or facilities using high power machineries.
		² Please factor in change in lumen output with diffuser (-20% with WD; -12% with other degrees).
		³ Includes New Reflector.

Delivered Lumens*

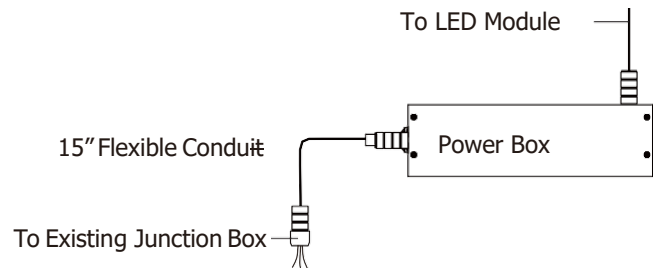
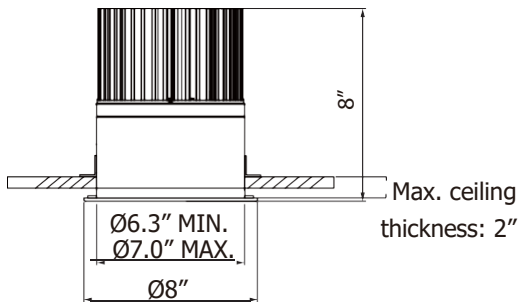
Wattage \ CCT	40W	60W	80W	100W
Beam Angle: 40°				
5000K	3990 lm	6490 lm	8040 lm	10450 lm
4000K	3895 lm	6180 lm	7845 lm	9250 lm
3500K	3710 lm	5890 lm	7620 lm	9130 lm
3000K	3640 lm	5780 lm	7195 lm	8900 lm
2700K	3470 lm	5500 lm	6725 lm	8210 lm

*Tolerance±8%

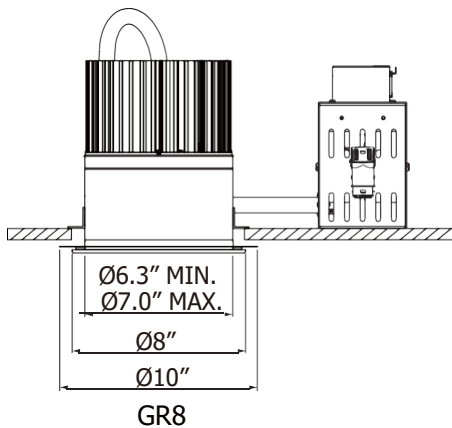
Current Consumption

Wattage \ Volt	120V	277V
40W	0.37A	0.16A
60W	0.55A	0.24A
80W	0.73A	0.32A
100W	0.92A	0.40A

Dimensions



Goof Ring



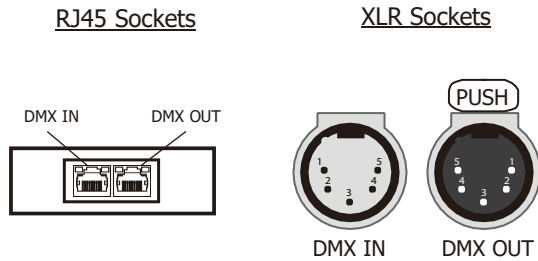
DMX Requirements

The REV 6 LED fixture with DMX is a ONE CHANNEL DMX unit.

When placing order, please indicate DMX address. (The DMX address will be listed on the back of the fixture.)

The LED fixture provide RJ45 Socket or XLR socket to connect. (DMX cable NOT included.)

The final fixture should be terminated by the use of DMX Terminator (by others).



CONNECTION	RJ45 (CAT5e)	5-PIN XLR
Common	WHITE/BROWN(PIN7) & BROWN(PIN 8)	PIN 1
Signal -	ORANGE(PIN 2)	PIN 2
Signal +	WHITE/ORANGE(PIN 1)	PIN 3
Spare	-	PIN 4
Spare	-	PIN 5

Compatible DMX Cabling List

DMX uses a cable consisting of two twisted pairs plus a shield to carry data. The cable must be specifically impedance matched for the digital DMX signal, meaning that microphone cable or other non-rated cable **must not be used to carry DMX**. Network cable (Cat5, 5e or 6 cable) may be used to carry DMX in an installation; however special consideration must be given to shielding and termination. Under no circumstances should solid core cable like Cat5 be terminated into a screw down connector.

Meteor recommends the use of Belden 9729 for DMX installation. Belden 9729 is a two pair cable, which allows for a spare pair for 'out and back' type terminations if needed. Below is a list of other compatible Belden cables.

Compatible LTE Dimmer List

LUTRON PART NO.

RRD-6NA-	RRT-G5NEW-	RRT-GH	HQRD-10ND-	HQRT-GH	HQRD-HN	PD-10NXD-
RRD-6ND	RRT-G25LW-	HQRD-6NA-	MRF2-6ND-120-	HQRT-G25LW-	GT-250M-	PD-5NE-
RRD-10ND-	RRD-HN	HQRD-6ND-	MRF2S-6ND-120-	HQRT-G5NEW-	GTJ-250M-	