

# REV 6 Retrofit - Warm Dim



6-inch aperture high lumen recessed downlight utilizing Meteor Lighting's proprietary ColorFlip™ Warm Dim solution, that results in superior efficacy and heat management. This product is compatible with all existing 0-10V and DMX control systems. Bringing ambient lighting to your spaces.



Quantity		Type	
Project		Note	

## Delivered

Warm Dim	1900K						3000K
DMX CCT Signal (%)	7%	20%	40%	60%	80%	100%	
0-10V CCT Voltage	0.7	2	4	6	8	10	
100W	152 lm	684 lm	2052 lm	3876 lm	5852 lm	7600 lm	
80W	24 lm	558 lm	1674 lm	3162 lm	4774 lm	6200 lm	
60W	87 lm	392 lm	1175 lm	2219 lm	3350 lm	4350 lm	
40W	60 lm	270 lm	810 lm	1530 lm	2310 lm	3000 lm	

\*Tolerance±8%

### Electrical System

- 40W, 60W, 80W, 100W
- Power Input: 120V or 277V
- Operating Temperature: -40°F~112°F
- Surge Protection: 4KV
- Power Factor Greater than 0.9

### LED Technology

- Warm Dim™ (Tuning White: 1900K ↔ 3000K)
- 85+ CRI
- Beam Angle: 40°, 60°, 100° (with diffuser)
- Rated Life > 60,000 hours (L70)

### Advanced Dimming

(Proprietary VX Driver is incorporated to all dimming options for video flicker-free lighting)

- Superior 0-10V: dims to 1%
- DMX: high resolution dims to 0.1% (Supports ANSI E1.20 RDM protocol)
- DALI: dims to 10%

### Retrofit

- Non-IC Rated, insulation must be kept 1ft from housing
- Aperture: 6.3" (160mm)
- Opening of Mounting Frame: 6.35" (162mm) to 7.0" (178mm) Max
- Oversize Trim: 8" (203mm)
- Maximum Ceiling Thickness: 2" (50.8mm)
- Tool-less top access allows service from above and below.
- Light engine, optics, and driver(s) accessible from below ceiling
- Weight: 11.02lbs
- Goof Ring 8": Aluminum, standard white finish; O. D. 10"; other size and finish

### Warranty

- 5 years limited warranty.

### Listing

- ETL Damp Location Listed
- FCC



# REV 6 Retrofit - Warm Dim



## How To Specify:

**Ordering Example: RS6R-100-WDIM-120-SPV-40-BLK**

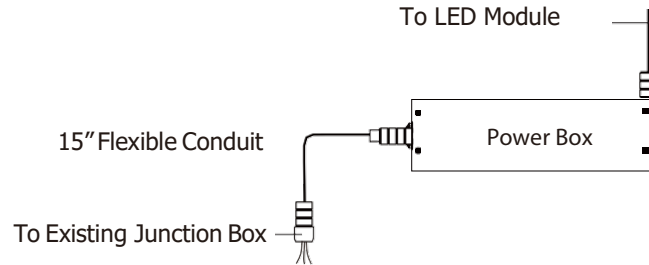
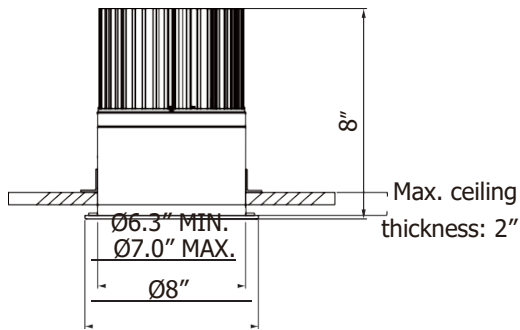
**4-5 weeks lead time on over 75% of specifications.**

Model	Wattage	CCT / CRI	Voltage	Dimming
<b>RS6R</b>				
RS6R REV 6 inch Retrofit"	<b>40</b> 10W <b>60</b> 60W <b>80</b> 80W <b>100</b> 100W	<b>WDIM</b> 1900K - 3000K	<b>120</b> 120V <b>277</b> 277V	<b>SPV</b> Superior 0-10V dims to 1% <b>DMX</b> DMX dims to 0.1% (XLR Sockets) <b>DMX(RJ45)</b> DMX dims to 0.1% (RJ45 Sockets) <b>DALI*</b> DALI dims to 10%  * Option not available for 100W.

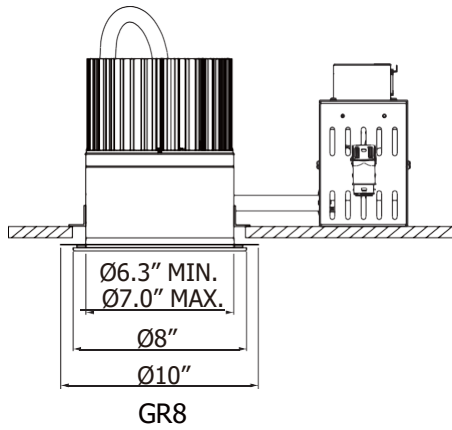
Beam Angle	Finish	Accessories
<b>40</b> 40° <b>60</b> 60° <b>WD*</b> WIDE	<b>BLK</b> Black <b>WHT</b> White	<b>SSR</b> Semi-Specular Reflector <b>SPD<sup>2</sup></b> Surge Protector <b>DF<sup>3</sup></b> Diffuser <b>GR8</b> Goof Ring 8" to 10"  <sup>1</sup> Surge protector for up to 10KV. Applicable for unstable mains or facilities using high power machineries. <sup>2</sup> Please factor in change in lumen output with diffuser (-20% with WD; -12% with other degrees). <sup>3</sup> Includes New Reflector.
*Please factor in change in lumen output with diffuser (-20% with WD; -12% with other degrees).	*Finish indicates Trim only, with standard matte silver reflector.	

# REV 6 Retrofit - Warm Dim

## Dimensions



## Goof Ring



# REV 6 Retrofit - Warm Dim

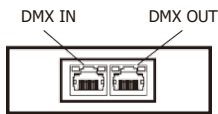


## DMX Requirements

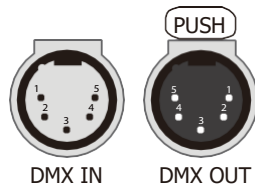
The REV 6 LED fixture with DMX is a **ONE CHANNEL DMX unit**.

**When placing order, please indicate DMX address.** (The DMX address will be listed on the back of the fixture.) The LED fixture provide RJ45 Socket or XLR socket to connect. (DMX cable NOT included.) The final fixture should be terminated by the use of DMX Terminator (by others).

RJ45 Sockets



XLR Sockets



CONNECTION	RJ45 (CAT5e)	5-PIN XLR
Common	WHITE/BROWN(PIN7) & BROWN (PIN 8)	PIN 1
Signal -	ORANGE (PIN 2)	PIN 2
Signal +	WHITE/ORANGE (PIN 1)	PIN 3
Spare	-	PIN 4
Spare	-	PIN 5

## Compatible DMX Cabling List

DMX uses a cable consisting of two twisted pairs plus a shield to carry data. The cable must be specifically impedance matched for the digital DMX signal, meaning that microphone cable or other non-rated cable **must not be used to carry DMX**. Network cable (Cat5, 5e or 6 cable) may be used to carry DMX in an installation; however special consideration must be given to shielding and termination. Under no circumstances should solid core cable like Cat5 be terminated into a screw down connector.

Meteor recommends the use of Belden 9729 for DMX installation. Belden 9729 is a two pair cable, which allows for a spare pair for 'out and back' type terminations if needed. Below is a list of other compatible Belden cables.