

ADVANCED HIGH CEILING

# REV 6 Retrofit

## Tunable White Version (ColorFlip™)



6-inch aperture high lumen recessed downlight utilizing Meteor Lighting's proprietary ColorFlip™ Tunable White solution, that results in superior efficacy and heat management. This product is compatible with all existing 0-10V and DMX control systems. Bringing human centric lighting to your spaces.



|          |  |      |  |
|----------|--|------|--|
| Quantity |  | Type |  |
| Project  |  | Note |  |

### Delivered Lumens\*

| ColorFlip™                   | 2700K     | 3000K     | 3500K     | 4000K     | 4500K     | 5000K     | 5700K     | 6500K     | *Lumen Multiplier<br>40° 60°<br>baseline 0.92 |
|------------------------------|-----------|-----------|-----------|-----------|-----------|-----------|-----------|-----------|---|
| <b>DMX</b><br>CCT Signal (%) | 0%        | 10%       | 25%       | 45%       | 60%       | 70%       | 85%       | 100%      |   |
| <b>0-10V</b><br>CCT Voltage  | 0         | 1         | 2.5       | 4.5       | 6         | 7         | 8.5       | 10        |   |
| 100W                         | 7555 lm   | 7980 lm   | 8415 lm   | 8841 lm   | 8771 lm   | 8692 lm   | 8613 lm   | 8544 lm   |   |
| 80W                          | 6165 lm   | 6512 lm   | 6867 lm   | 7214 lm   | 7157 lm   | 7093 lm   | 7093 lm   | 6972 lm   |   |
| 60W                          | 4306 lm   | 4549 lm   | 4797 lm   | 5039 lm   | 5000 lm   | 4955 lm   | 4909 lm   | 4870 lm   |   |
| 40W                          | 2992 lm   | 3160 lm   | 3332 lm   | 3501 lm   | 3473 lm   | 3442 lm   | 3411 lm   | 3383 lm   |   |
| <b>CRI</b>                   | <b>85</b> | <b>86</b> | <b>87</b> | <b>88</b> | <b>88</b> | <b>87</b> | <b>86</b> | <b>85</b> |   |

### Electrical System

- 40W, 60W, 80W, 100W
- Power Input: 120V or 277V
- Operating Temperature: -40°F~112°F
- Surge Protection: 4KV
- Emergency Pack with Mounting Plate: Bodine
- Power Factor Greater than 0.9BSL20LV

### LED Technology

- ColorFlip™ (Tuning White: 2700K ↔ 6500K)
- 85+ CRI
- Beam Angle: 40°, 60°, 100° (with diffuser)
- Rated Life > 60,000 hours (L70)

### Advanced Dimming

(Proprietary VX Driver is incorporated to all dimming options for video flicker-free lighting)

- Superior 0-10V: dims to 1%
- DMX: high resolution dims to 0.1% (Supports ANSI E1.20 RDM protocol)
- DALI: dims to 10%

### Retrofit

- Non-IC Rated, insulation must be kept 1ft from housing
- Aperture: 6.3" (160mm)
- Opening of Mounting Frame: 6.35" (162mm) to 7.0" (178mm) Max
- Oversize Trim: 8" (203mm)
- Maximum Ceiling Thickness: 2" (50.8mm)
- Tool-less top access allows service from above and below.
- Light engine, optics, and driver(s) accessible from below ceiling
- Weight: 11.02lbs
- Goof Ring 8": Aluminum, standard white finish; O. D. 10"; other size and finish

### Warranty

- 5 years limited warranty.

### Listing

- ETL Damp Location Listed
- FCC



# REV 6 Retrofit

Tunable White Version (ColorFlip™)



## How To Specify:

**Ordering Example: RS6R-100-TNW-120-SPV-40-BLK**

**4-5 weeks lead time on over 75% of specifications.**

| Model                            | Wattage         | CCT / CRI                | Voltage         | Dimming  |
|----------------------------------|-----------------|--------------------------|-----------------|--|
| <b>RS6R</b>                      |                 |                          |                 |  |
| RS6R                             | <b>40</b> 40W   | <b>TNW</b> 2700K - 6500K | <b>120</b> 120V | <b>SPV</b> Superior 0-10V dims to 1%<br><b>DMX</b> DMX dims to 0.1% (XLR Sockets)<br><b>DMX(RJ45)</b> DMX dims to 0.1% (RJ45 Sockets)<br><b>DALI*</b> DALI dims to 10% |
| REV 6 inch Retrofit              | <b>60</b> 60W   |                          | <b>277</b> 277V |  |
|                                  | <b>80</b> 80W   |                          |                 |  |
|                                  | <b>100</b> 100W |                          |                 |  |
| * Option not available for 100W. |                 |                          |                 |  |

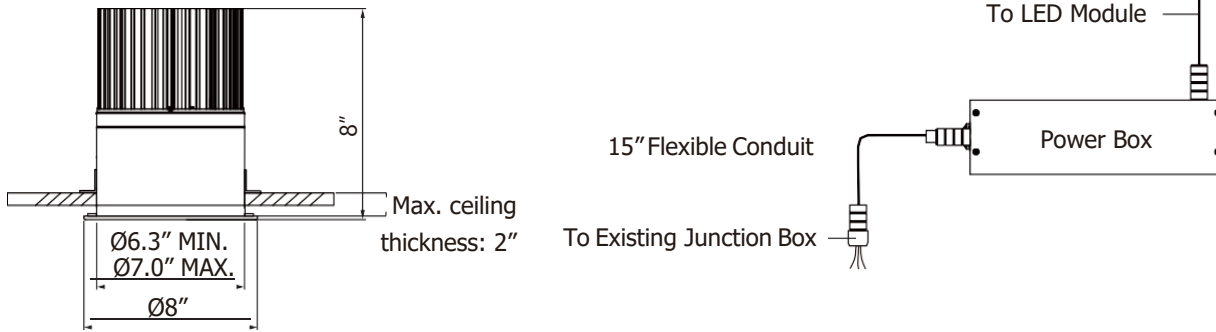
| Beam Angle  | Finish           | Accessories   |
|---|------------------|---|
| <b>40</b> 40°   | <b>BLK</b> Black | <b>SPD<sup>1</sup></b> Surge Protector  |
| <b>60</b> 60°   | <b>WHT</b> White | <b>DF<sup>2</sup></b> Diffuser  |
| <b>WD*</b> WIDE   |                  | <b>GR8<sup>3</sup></b> Goof Ring 8" to 10"  |
| *Please factor in change in lumen output with diffuser (-20% with WD; -12% with other degrees). |                  | <sup>1</sup> Surge protector for up to 10KV. Applicable for unstable mains or facilities using high power machineries.<br><sup>2</sup> Please factor in change in lumen output with diffuser (-20% with WD; -12% with other degrees).<br><sup>3</sup> Includes New Reflector. |

# REV 6 Retrofit

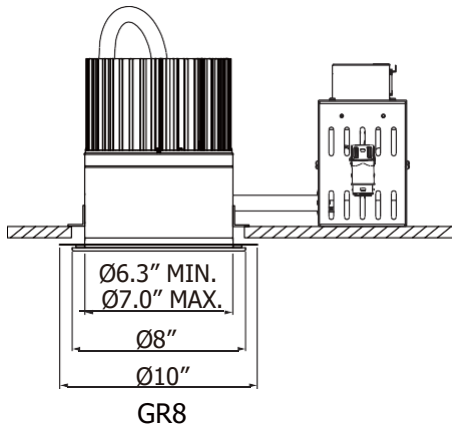
Tunable White Version (ColorFlip™)



## Dimensions



## Goof Ring



ADVANCED HIGH CEILING

# REV 6 Retrofit

## Tunable White Version (ColorFlip™)



### DMX Requirements\*

The REV 6 LED fixture with DMX unit has TWO CHANNELS per fixture (1 to control intensity, 1 to control color). Fixture will be controlled by DMX number controlling intensity We do not recommend more than 32 fixtures per DMX daisy chain.

When placing order, please indicate DMX address (refer to DMX Address example below).

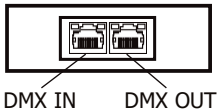
DMX address will be listed on the back of each fixture.

| Fixture | DMX Address               |                         |
|---------|---------------------------|-------------------------|
|         | Intensity Control (ex. X) | Color Control (ex. X+1) |
| #1      | 1                         | 2                       |
| #2      | 3                         | 4                       |
| #3      | 5                         | 6                       |

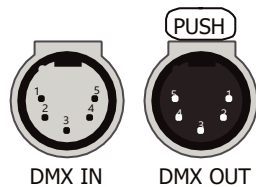
The LED fixture provide RJ45 Socket or XLR socket to connect. (DMX cable NOT included.)

The final fixture should be terminated by the use of DMX Terminator (by others).

#### RJ45 Sockets



#### XLR Sockets



| CONNECTION | RJ45 (CAT5e)                      | 5-PIN XLR |
|------------|-----------------------------------|-----------|
| Common     | WHITE/BROWN(PIN7) & BROWN (PIN 8) | PIN 1     |
| Signal -   | ORANGE (PIN 2)                    | PIN 2     |
| Signal +   | WHITE/ORANGE (PIN 1)              | PIN 3     |
| Spare      | -                                 | PIN 4     |
| Spare      | -                                 | PIN 5     |

### Compatible DMX Cabling List

DMX uses a cable consisting of two twisted pairs plus a shield to carry data. The cable must be specifically impedance matched for the digital DMX signal, meaning that microphone cable or other non-rated cable **must not be used to carry DMX**. Network cable (Cat5, 5e or 6 cable) may be used to carry DMX in an installation; however special consideration must be given to shielding and termination. Under no circumstances should solid core cable like Cat5 be terminated into a screw down connector.

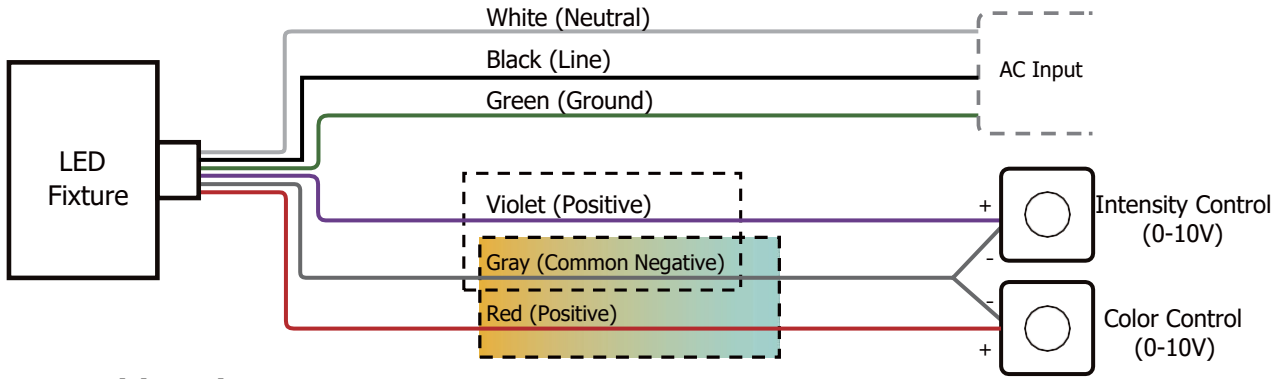
Meteor recommends the use of Belden 9729 for DMX installation. Belden 9729 is a two pair cable, which allows for a spare pair for 'out and back' type terminations if needed. Below is a list of other compatible Belden cables.

# REV 6 Retrofit

Tunable White Version (ColorFlip™)



## Superior 0-10V Wiring Diagram



## DMX Wiring Diagram

