

6-inch aperture high lumen recessed downlight with lumen output 3470 – 10450lm for new and retrofit applications.

- **Tunable White**

(Please refer to Tunable White Version spec sheet)



Quantity		Type	
Project		Note	

Electrical System

- 3990lm (40W) 6490lm (60W) 8040lm (80W) 10450lm (100W)
- Power Input: 120V or 277V
- Operating Temperature: -40°F~112°F
- Surge Protection: 4KV
- Emergency Pack with Mounting Plate: Bodine BSL20LV
- Power Factor Greater than 0.9

LED Technology

- 2700K, 3000K, 3500K, 4000K, 5000K
- 75 CRI, 85 CRI, 93 CRI
- Beam Angle: 40°, 60°, 100° (with diuuser)
- Rated Life > 60,000 hours (L70)

Advanced Dimming

(Proprietary VX Driver is incorporated to all dimming options for video flicker-free lighting)

- **Standard 0-10V** dims to 10%
- **Superior 0-10V:** dim to 1 %
- **DMX:** high resolution dims to 0.1% (Supports ANSI E1.20 RDM protocol)
- **LTE: Hi-Lume 1% 2-wire LED Driver (120V forward phase only)**
- **LDE1: Hi-Lume 1% EcoSystem LED Driver with Soft-on, Fade-to-Black (UNV only)**
- **DALI:** dims to 10%

New Construction

- Non-IC Rated, insulation must be kept >1ft from housing.
- Aperture: 6.3" (160mm)
- Oversize Trim: 7.2" (183mm)
- Ceiling Cutout: 6.7" (170mm)
- Maximum Ceiling Thickness: 2" (50.8mm)
- Tool-less top access allows service from above.
- Light engine, optics, and driver(s) accessible from below ceiling
- Weight: 13.22 lbs
- *Note: C-Channel / Mounting Channels / T-Bar Hangers are purchased**

Warranty

- 5 years limited warranty.

Listing

- ETL Damp Location Listed
- FCC



REV 6 - New Construction



How To Specify:

Ordering Example: RS6N-80-308-UNV-SPV-40-BLK

4-5 weeks lead time on over 75% of specifications.

Model	Wattage	CCT / CRI	Voltage	Dimming
RS6N				
RS6N	40 40W	278 2700K / CRI85	UNV 120-277V	NOD Non-Dimming
REV 6 inch with	60 60W	308 3000K / CRI85		STV Standard 0-10V dims to 10%
New Construction frame	80 80W	358 3500K / CRI85		SPV Superior 0-10V dims to 1%
	100 100W	408 4000K / CRI85		DMX DMX dims to 0.1% (XLR Sockets)
		507 5000K / CRI75		DMX(RJ45) DMX dims to 0.1% (RJ45 Sockets)
		279 2700K / CRI93		LTE Hi-Lume 1% 2-wire LED Driver (120V forward phase only)
		309 3000K / CRI93		LDE1 Hi-Lume 1% EcoSystem LED Driver with Soft-on, Fade-to-Black (UNV only)
		359 3500K / CRI93		DALI* DALI dims to 10%
				*Option not available for 100W.

Beam Angle	Finish	Accessories
40 40°	BLK Black	SPD¹ Surge Protector
60 60°	WHT White	EMP Remote Emergency Pack
WD* 100° (with diffuser)		DF² Diffuser
		SCA610 Sloped Ceiling Adapter 8°-12°
		SCA615 Sloped Ceiling Adapter 13°-17°
		SCA620 Sloped Ceiling Adapter 18°-22°
		SCA625 Sloped Ceiling Adapter 23°-27°
*Please factor in change in lumen output with diffuser (-20% with WD; -12% with other degrees).		¹ Surge protector for up to 10KV. Applicable for unstable mains or facilities using high power machineries
		² Please factor in change in lumen output with diffuser (-20% with WD; -12% with other degrees).

REV 6 - New Construction



Delivered Lumens*

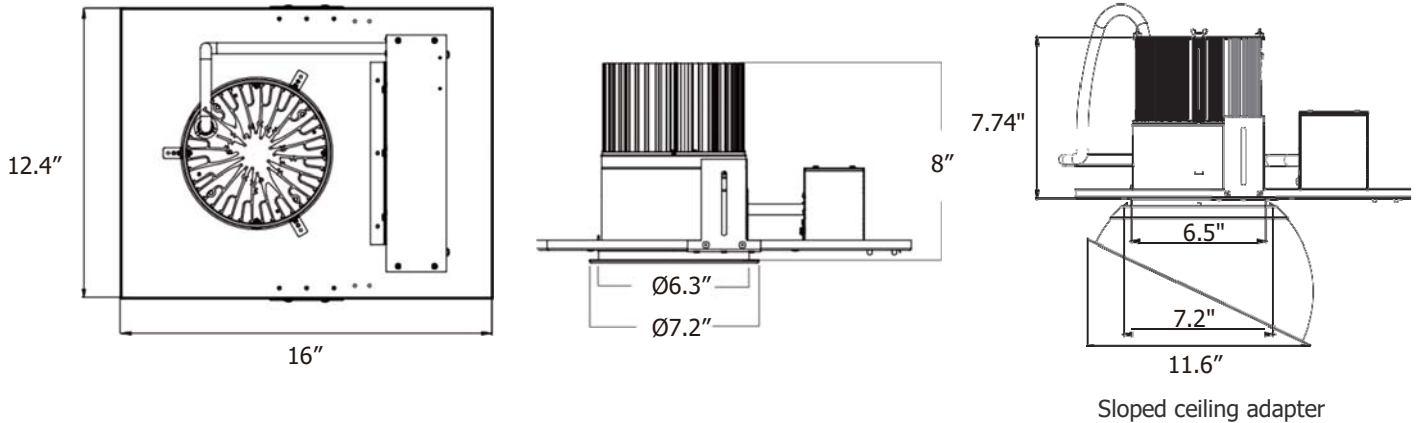
Wattage \ CCT	40W	60W	80W	100W
Beam Angle: 40°				
5000K	3990 lm	6490 lm	8040 lm	10450 lm
4000K	3895 lm	6180 lm	7845 lm	9250 lm
3500K	3710 lm	5890 lm	7620 lm	9130 lm
3000K	3640 lm	5780 lm	7195 lm	8900 lm
2700K	3470 lm	5500 lm	6725 lm	8210 lm

*Tolerance±8%

Current Consumption

Wattage \ Volt	120V	277V
40W	0.37A	0.16A
60W	0.55A	0.24A
80W	0.73A	0.32A
100W	0.92A	0.40A

Dimensions



DMX Requirements

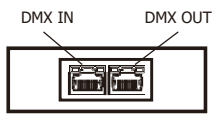
The REV 6 LED fixture with DMX is a ONE CHANNEL DMX unit.

When placing order, please indicate DMX address. (The DMX address will be listed on the back of the fixture.)

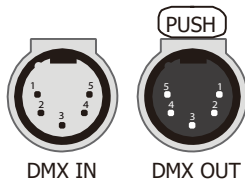
The LED fixture provide RJ45 Socket or XLR socket to connect. (DMX cable NOT included.)

The final fixture should be terminated by the use of DMX Terminator (by others).

RJ45 Sockets



XLR Sockets



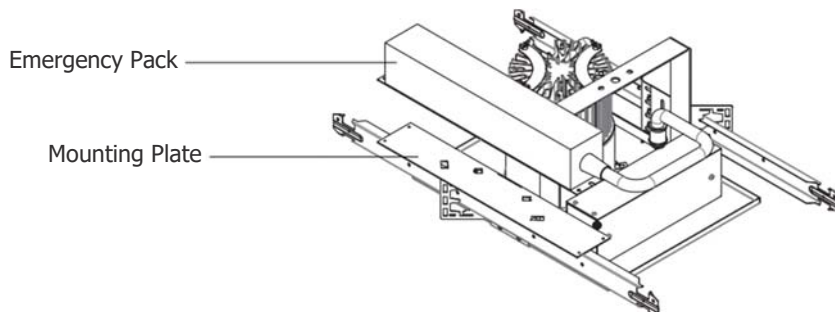
CONNECTION	RJ45 (CAT5e)	5-PIN XLR
Common	WHITE/BROWN(PIN7) & BROWN(PIN 8)	PIN 1
Signal -	ORANGE(PIN 2)	PIN 2
Signal +	WHITE/ORANGE(PIN 1)	PIN 3
Spare	-	PIN 4
Spare	-	PIN 5

Compatible LTE Dimmer List

LUTRON PART NO.

RRD-6NA-	RRT-G5NEW-	RRT-GH	HQRD-10ND-	HQRT-GH	HQRD-HN	PD-10NXD-
RRD-6ND	RRT-G25LW-	HQRD-6NA-	MRF2-6ND-120-	HQRT-G25LW-	GT-250M-	PD-5NE-
RRD-10ND-	RRD-HN	HQRD-6ND-	MRF2S-6ND-120-	HQRT-G5NEW-	GTJ-250M-	

Mounting Plate for Emergency Pack



Emergency Pack Lumen Output Table

CCT	2700K	3000K	4000K	5000K
Lumen	1640 lm	1760 lm	1890 lm	1950 lm