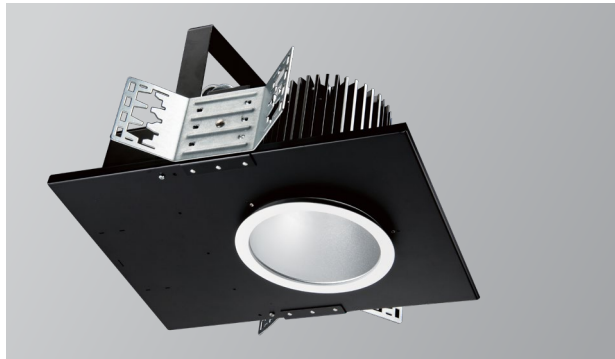


REV 6 New Construction - Warm Dim



6-inch aperture high lumen recessed downlight utilizing Meteor Lighting's proprietary ColorFlip™ Warm Dim solution, that results in superior efficacy and heat management. This product is compatible with all existing 0-10V and DMX control systems. Bringing ambient lighting to your spaces.



Quantity		Type	
Project		Note	

Delivered Lumens

Warm Dim	1900K			3000K		
	DMX CCT Signal (%)	0-10V CCT Voltage	100W	80W	60W	40W
DMX CCT Signal (%)	7%	20%	40%	60%	80%	100%
0-10V CCT Voltage	0.7	2	4	6	8	10
100W	152 lm	684 lm	2052 lm	3876 lm	5852 lm	7600 lm
80W	24 lm	558 lm	1674 lm	3162 lm	4774 lm	6200 lm
60W	87 lm	392 lm	1175 lm	2219 lm	3350 lm	4350 lm
40W	60 lm	270 lm	810 lm	1530 lm	2310 lm	3000 lm

*Tolerance±8%

Electrical System

- 40W, 60W, 80W, 100W
- Power Input: 120V or 277V
- Operating Temperature: -40°F~112°F
- Surge Protection: 4KV
- Power Factor Greater than 0.9

LED Technology

- Warm Dim™ (Tuning White: 1900K ↔ 3000K)
- 85+ CRI
- Beam Angle: 40°, 60°, 100° (with diffuser)
- Rated Life > 60,000 hours (L70)

Advanced Dimming

(Proprietary VX Driver is incorporated to all dimming options for video flicker-free lighting)

- Superior 0-10V: dims to 1%
- DMX: high resolution dims to 0.1% (Supports ANSI E1.20 RDM protocol)
- DALI: dims to 10%

New Construction

- Non-IC Rated, insulation must kept >1ft from housing.
- Aperture: 6.3" (160mm)
- Oversize Trim: 7.2" (183mm)
- Ceiling Cutout: 6.7" (170mm)
- Maximum Ceiling Thickness: 2" (50.8mm)
- Tool-less top access allows service from above and below.
- Light engine, optics, and driver(s) accessible from below ceiling
- Weight: 13.22 lbs
- *Note: C-Channel / Mounting Channels / T-Bar Hangers are by others.

Warranty

- 5 years limited warranty.

Listing

- ETL Damp Location Listed
- FCC



REV 6 New Construction - Warm Dim



How To Specify:

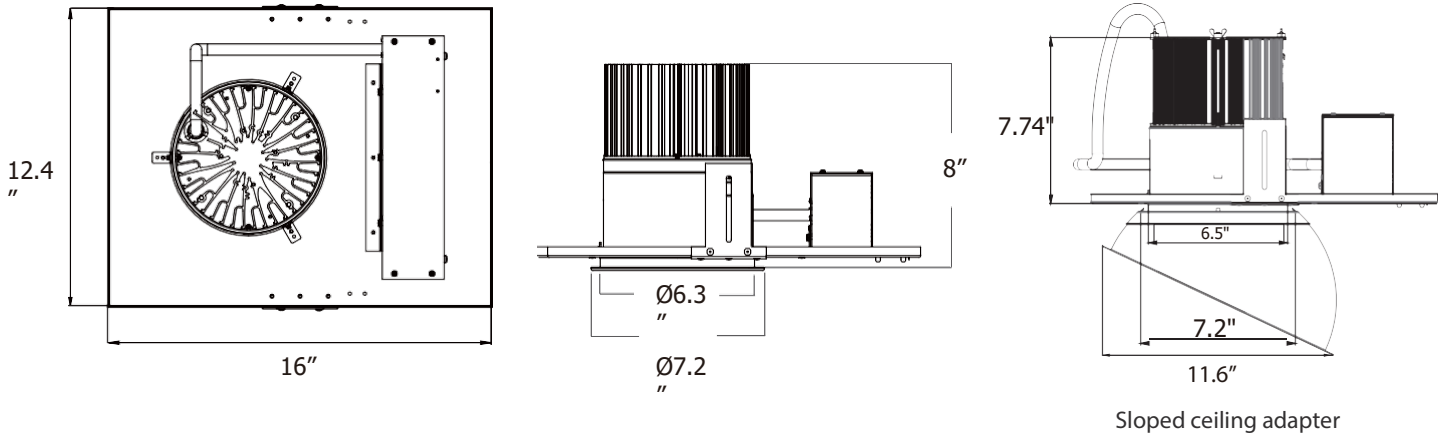
Ordering Example: RS6N-100-WDIM-120-SPV-40-BLK

4-5 weeks lead time on over 75% of specifications.

Model	Wattage	CCT / CRI	Voltage	Dimming
RS6N				
RS6N	40 40W	WDIM 1900K - 3000K	120 120V	SPV Superior 0-10V dims to 1%
REV 6 inch with	60 60W		277 277V	DMX DMX dims to 0.1% (XLR Sockets)
New Construction Frame	80 80W			DMX(RJ45) DMX dims to 0.1% (RJ45 Sockets)
	100 100W			DALI* DALI dims to 10%
* Option not available for 100W.				

Beam Angle	Finish	Accessories
40 40°	BLK Black	SSR Semi-Specular Reflector
60 60°	WHT White	SPD¹ Surge Protector
WD* WIDE		DF² Diffuser
		SCA610 Sloped Ceiling Adapter 8°-12°
		SCA615 Sloped Ceiling Adapter 13°-17°
		SCA620 Sloped Ceiling Adapter 18°-22°
		SCA625 Sloped Ceiling Adapter 23°-27°
<small>*Please factor in change in lumen output with diffuser (-20% with WD; -12% with other degrees).</small>	<small>*Finish indicates Trim only, with standard matte silver reflector.</small>	<small>¹Surge protector for up to 10KV. Applicable for unstable mains or facilities using high power machineries. ²Please factor in change in lumen output with diffuser (-20% with WD; -12% with other degrees).</small>

Dimensions



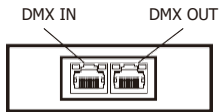
DMX Requirements

The REV 6 LED fixture with DMX is a ONE CHANNEL DMX unit.

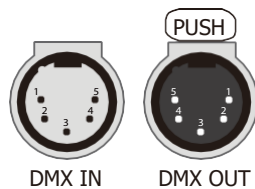
When placing order, please indicate DMX address. (The DMX address will be listed on the back of the fixture.) The LED fixture provide RJ45 Socket or XLR socket to connect. (DMX cable NOT included.)

The final fixture should be terminated by the use of DMX Terminator (by others).

RJ45 Sockets



XLR Sockets



CONNECTION	RJ45 (CAT5e)	5-PIN XLR
Common	WHITE/BROWN(PIN7) & BROWN (PIN 8)	PIN 1
Signal -	ORANGE (PIN 2)	PIN 2
Signal +	WHITE/ORANGE (PIN 1)	PIN 3
Spare	-	PIN 4
Spare	-	PIN 5

Compatible DMX Cabling List

DMX uses a cable consisting of two twisted pairs plus a shield to carry data. The cable must be specifically impedance matched for the digital DMX signal, meaning that microphone cable or other non-rated cable **must not be used to carry DMX**. Network cable (Cat5, 5e or 6 cable) may be used to carry DMX in an installation; however special consideration must be given to shielding and termination. Under no circumstances should solid core cable like Cat5 be terminated into a screw down connector.

Meteor recommends the use of Belden 9729 for DMX installation. Belden 9729 is a two pair cable, which allows for a spare pair for 'out and back' type terminations if needed. Below is a list of other compatible Belden cables.