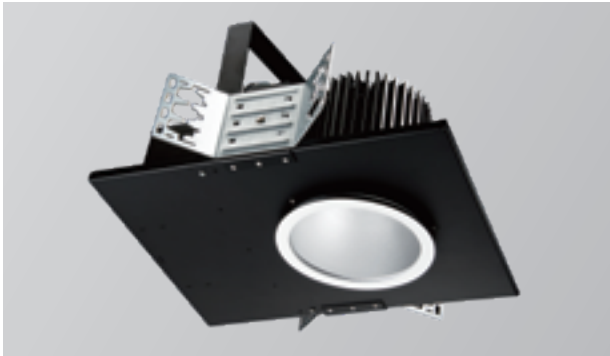


ADVANCED HIGH CEILING

# REV 6 New Construction - W+RGB



6-inch aperture high lumen recessed downlight utilizing Meteor Lighting's proprietary ColorFlip™ W + RGB solution, that gives you True White light and unlimited RGB possibilities. This product is compatible with all DMX control systems and follows ANSI E1.20 RDM protocol. You can now get white and RGB colors all from a single light source.



| Quantity | Type |
|----------|------|
| Project  | Note |

## Electrical System

- 50W / W=25W, RGB=25W
- 100W / W=50W, RGB=50W
- Power Input: 120V or 277V
- Operating Temperature: -40°F~112°F
- Surge Protection: 4KV
- Power Factor Greater than 0.9

## LED Technology

- White: CCT 3000K
- 85 CRI
- Beam Angle: 60°, 100° (with diffuser)
- Rated Life > 60,000 hours (L70)

## Advanced Dimming

(Proprietary VX Driver is incorporated to all dimming options for video flicker-free lighting)

- DMX: high resolution dims to 0.1%
- (Supports ANSI E1.20 RDM protocol)

## New Construction

- Non-IC Rated, insulation must be kept >1ft from housing.
- Aperture: 6.3" (160mm)
- Oversize Trim: 7.2" (183mm)
- Ceiling Cutout: 6.7" (170mm)
- Maximum Ceiling Thickness: 2" (50.8mm)
- Tool-less top access allows service from above.
- Light engine, optics, and driver(s) accessible from below ceiling
- Weight: 13.22 lbs

**\*Note: C-Channel / Mounting Channels / T-Bar Hangers are purchased from a third party.**

## Warranty

- 5 years limited warranty.

## Listing

- ETL Damp Location Listed
- FCC



# REV 6 New Construction - W+RGB



## How To Specify:

Ordering Example: RS6N-100-308C-U-DMX-60-BLK

| Model  | Wattage                                    | CCT / CRI   | Voltage  | Dimming  |
|--|--|---|--|--|
| <input type="text" value="RS6N"/><br>RS6N<br>REV 6 inch W+RGB with<br>New Construction frame | <input type="text"/><br>50 50W<br>100 100W | <input type="text" value="308C"/><br>308C 3000K / CRI85<br>+RGB | <input type="text" value="UNV"/><br>UNV 120-277V | <input type="text"/><br>DMX NDMX dims to 0.1% (XLR Sockets)<br>DMX(RJ45) DMX dims to 0.1% (RJ45 Sockets) |

| Beam Angle   | Finish   | Accessories   |
|--|--|---|
| <input type="text"/><br>60 60°<br>WD* 100° (with diffuser) | <input type="text"/><br>BLK Black<br>WHT White | <input type="text"/><br>SPD <sup>1</sup> Surge Protector<br>DF <sup>2</sup> Diffuser<br>SCA610 Sloped Ceiling Adapter 8°-12°<br>SCA615 Sloped Ceiling Adapter 13°-17°<br>SCA620 Sloped Ceiling Adapter 18°-22°<br>SCA625 Sloped Ceiling Adapter 23°-27° |

<sup>1</sup> Surge protector for up to 10KV. Applicable for unstable mains or facilities using high power machineries.  
<sup>2</sup> Please factor in change in lumen output with diffuser (-20% with WD; -12% with other degrees).

\*Please factor in change in lumen output with diffuser (-20% with WD; -12% with other degrees).

# REV 6 New Construction - W+RGB



## Delivered Lumens\*

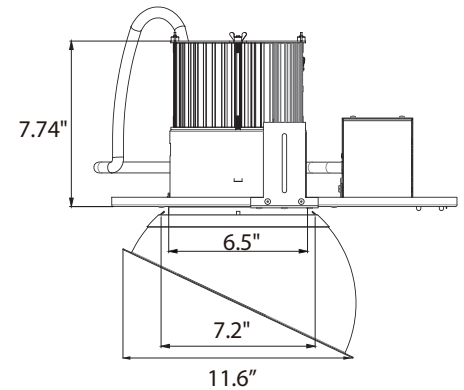
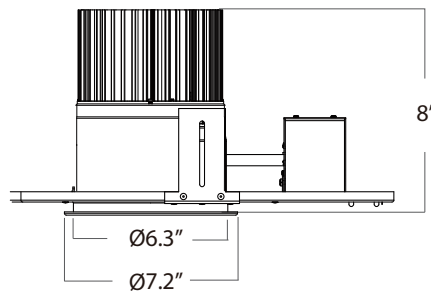
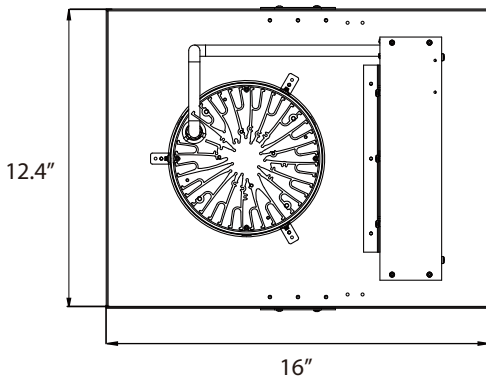
| CCT | 50W             |         | 100W |         |
|-----|-----------------|---------|------|---------|
|     | Beam Angle: 60° |         |      |         |
| R   | 8 W             | 149 lm  | 18 W | 220 lm  |
| G   | 8 W             | 988 lm  | 18 W | 1702 lm |
| B   | 8 W             | 117 lm  | 18 W | 209 lm  |
| W   | 25 W            | 2000 lm | 46 W | 4018 lm |

## Current Consumption

| Wattage | Volt  |       |
|---------|-------|-------|
|         | 120V  | 277V  |
| 50W     | 0.44A | 0.19A |
| 100W    | 0.89A | 0.38A |

\*Tolerance±8%

## Dimensions



Sloped ceiling adapter

## DMX Requirements

The REV 6 LED fixture with DMX is a FOUR CHANNEL DMX unit.

When placing order, please indicate DMX address. (The DMX address will be listed on the back of the fixture.)

The LED fixture provide RJ45 Socket or XLR socket to connect. (DMX cable NOT included.)

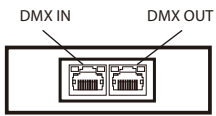
The final fixture should be terminated by the use of DMX Terminator (by others).

| Fixture | DMX Address         |                         |                        |                         |
|---------|---------------------|-------------------------|------------------------|-------------------------|
|         | Red Control (ex. X) | Green Control (ex. X+1) | Blue Control (ex. X+2) | White Control (ex. X+3) |
| #1      | 1                   | 2                       | 3                      | 4                       |
| #2      | 5                   | 6                       | 7                      | 8                       |
| #3      | 9                   | 10                      | 11                     | 12                      |

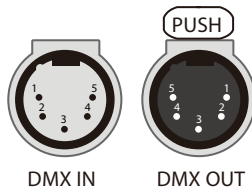
The LED fixture provide RJ45 Socket or XLR socket to connect. (DMX cable NOT included.)

The final fixture should be terminated by the use of DMX Terminator (by others).

### RJ45 Sockets



### XLR Sockets



| CONNECTION | RJ45 (CAT5e)                     | 5-PIN XLR |
|------------|----------------------------------|-----------|
| Common     | WHITE/BROWN(PIN7) & BROWN(PIN 8) | PIN 1     |
| Signal -   | ORANGE(PIN 2)                    | PIN 2     |
| Signal +   | WHITE/ORANGE(PIN 1)              | PIN 3     |
| Spare      | -                                | PIN 4     |
| Spare      | -                                | PIN 5     |