

REV 4 Retrofit - Warm Dim



4-inch aperture high lumen recessed downlight utilizing Meteor Lighting's proprietary ColorFlip™ Warm Dim solution, that results in superior efficacy and heat management. This product is compatible with all existing 0-10V and DMX control systems. Bringing ambient lighting to your spaces.



Quantity		Type	
Project		Note	

Delivered

Warm Dim	1900K						3000K
DMX CCT Signal (%)	7%	20%	40%	60%	80%	100%	
0-10V CCT Voltage	0.7	2	4	6	8	10	
40W	61 lm	275 lm	824 lm	1556 lm	2349 lm	3050 lm	
20W	32 lm	144 lm	432 lm	816 lm	1232 lm	1600 lm	

*Tolerance±8%

Electrical System

- 20W, 40W
- Power Input: 120V or 277V
- Operating Temperature: -40°F~104°F
- Surge Protection: 4KV- Remote
- Power Factor Greater than 0.9

LED Technology

- Warm Dim™ (Tuning White: 1900K ↔ 3000K)
- 85+ CRI
- Beam Angle: 45°, 55°
- Rated Life > 60,000 hours (L70)

Advanced Dimming

(Proprietary VX Driver is incorporated to all dimming options for video flicker-free lighting)

- Superior 0-10V: dims to 1% (2 channel)
- DMX: high resolution dims to 0.1% (2 channel) (Supports ANSI E1.20 RDM protocol)
- DALI: dims to 10%

Retrofit

- Non-IC Rated, insulation must be kept >1ft from housing.
- Aperture: 4.25" (108mm)
- Opening of Mounting Frame: 4.72" (120mm) to 5.1" (127mm) Max
- Oversize Trim: 5.25" (133mm)
- Maximum Ceiling Thickness: 2" (50.8mm)
- Tool-less top access allows service from above.
- Light engine, optics, and driver(s) accessible from below ceiling

Warranty

- 5 year limited warranty

Listing

- ETL Damp Location Listed
- FCC



REV 4 Retrofit - Warm Dim



How To Specify:

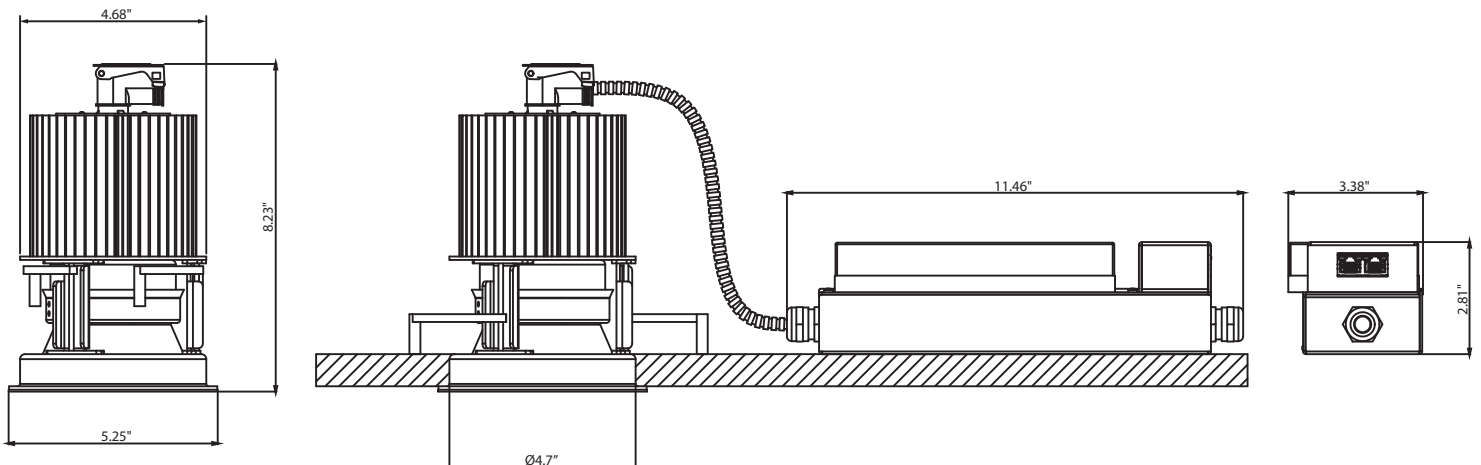
Ordering Example: RS4R-20-WDIM-UNV-SPV-45-WHT

4-5 weeks lead time on over 75% of specifications.

Model	Wattage	CCT	Voltage	Dimming
<input type="text" value="RS4R"/> RS4R REV 4 inch Retrofit	<input type="text"/> 20 20W 40 40W	<input type="text" value="WDIM"/> WDIM 1900K - 3000K	<input type="text"/> UNV 120-277V	<input type="text"/> SPV Superior 0-10V dims to 1% DMX DMX dims to 0.1% (XLR Sockets) DMX(RJ45) DMX dims to 0.1% (RJ45 Sockets) DALI DALI dims to 10%

Beam Angle	Finish
<input type="text"/> 45 45° 55 55°	<input type="text"/> BLK Black WHT White

Dimensions



REV 4 Retrofit - Warm Dim



DMX Requirements

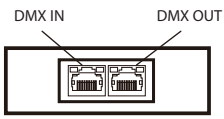
The REV 4 LED fixture with DMX is a ONE CHANNEL DMX unit.

When placing order, please indicate DMX address. (The DMX address will be listed on the back of the fixture.)

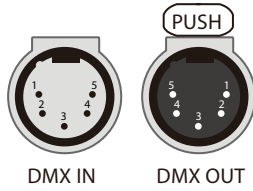
The LED fixture provide RJ45 Socket or XLR socket to connect. (DMX cable NOT included.)

The final fixture should be terminated by the use of DMX Terminator (by others).

RJ45 Sockets



XLR Sockets



CONNECTION	RJ45 (CAT5e)	5-PIN XLR
Common	WHITE/BROWN(PIN7) & BROWN(PIN 8)	PIN 1
Signal -	ORANGE(PIN 2)	PIN 2
Signal +	WHITE/ORANGE(PIN 1)	PIN 3
Spare	-	PIN 4
Spare	-	PIN 5