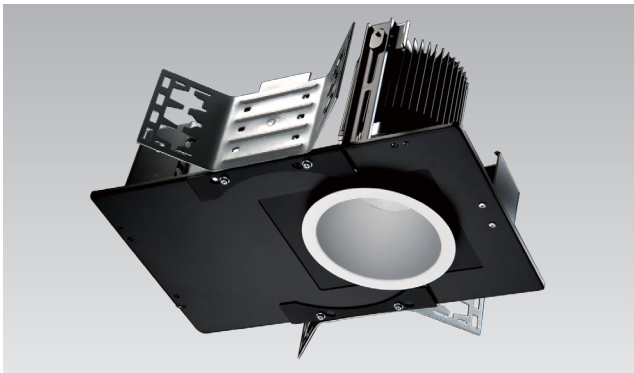


ADVANCED HIGH CEILING

REV 4 - New Construction - W+RGB



4-inch aperture high lumen recessed downlight utilizing Meteor Lighting's proprietary ColorFlip™ W + RGB solution, that gives you True White light and unlimited RGB possibilities. This product is compatible with all DMX control systems and follows ANSI E1.20 RDM protocol. You can now get white and RGB colors all from a single light source.

Quantity	Type
Projec	Note

Electrical System

- 50W / W=25W, RGB=25W
- Power Input: Universal (120-277V)
- Operating Temperature: -40°F~104°F
- Surge Protection: 4KV
- Power Factor Greater than 0.9

New Construction

- Non-IC Rated, insulation must be kept >1ft from housing.
- Aperture: 4.25" (108mm)
- Oversize Trim: 5.25" (133mm)
- Ceiling Cutout: 5" (127mm)
- Maximum Ceiling Thickness: 2" (50.8mm)
- Tool-less top access allows service from above.
- Light engine, optics, and driver(s) accessible from below ceiling
- Weight: 8.8 lbs
- ***Note: C-Channel / Mounting Channels / T-Bar Hangers are purchased from a third party**

LED Technology

- White: CCT 3000K
- 85 CRI, 93 CRI
- Beam Angle: 45°, 55° (Low trim ONLY)
- Rated Life > 60,000 Hours (L70)

Warranty

- 5-year limited warranty

Listing

- ETL Damp Location Listed
- FCC

Advanced Dimming

(Proprietary VX Driver is incorporated to all dimming options for video flicker-free lighting)

- DMX: high resolution dims to 0.1% (Supports ANSI E1.20 RDM protocol)



REV 4 - New Construction - W+RGB



How to Specify:

Ordering Example: RS4N-50-308C-U-DMX-45-WHT

4-5 weeks lead time on over 75% of specifications.

Model	Wattage	CCT / CRI	Voltage	Dimming
RS4N			UNV	
RS4N REV4 inch W+RGB with New Construction frame	50 50W	308C 3000K / CRI85 +RGB	UNV 120-277V	DMX DMX dims to 0.1% (XLR Sockets) DMX(RJ45) DMX dims to 0.1% (RJ45 Sockets)

Beam Angle Finish Accessories

Beam Angle	Finish	Accessories
45 45°	BLK Black	SCA410 Sloped Ceiling Adapter 8°-12°
55 55°	WHT White	

Delivered Lumens

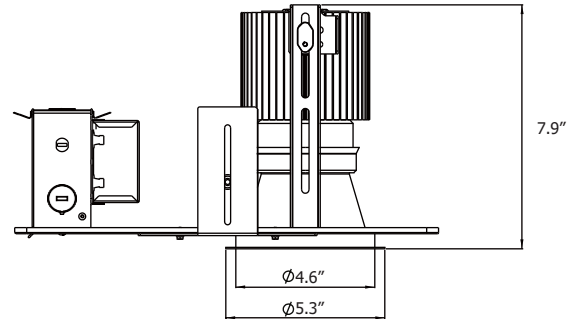
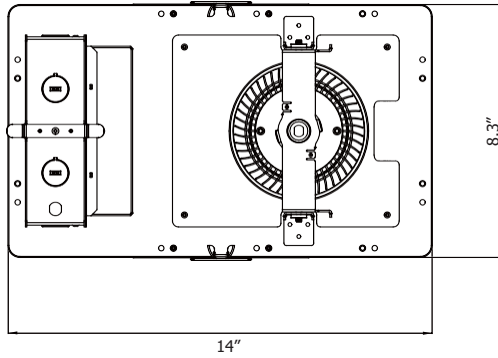
CCT	Wattage	
	50W	
Beam Angle: 45°		
R	8 W	149 lm
G	8 W	988 lm
B	8 W	117 lm
W	25 W	2016 lm

*Tolerance±8%

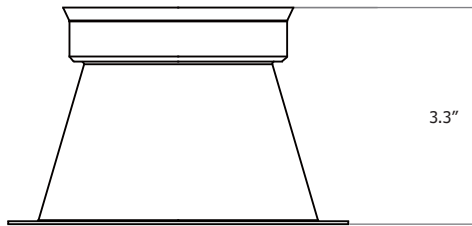
Current Consumption

Wattage	Volt	
	120V	277V
50W	0.48A	0.21A

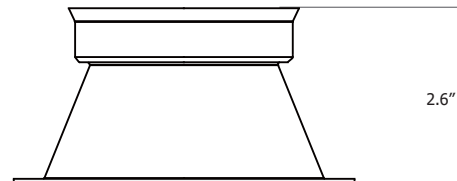
Dimensions



Trim Type



Standard Trim



Low Trim

DMX Requirements

The REV 4 LED fixture with DMX is a 4 CHANNEL DMX unit.

When placing order, please indicate DMX address. (The DMX address will be listed on the back of the fixture.) The LED fixture provide RJ45 Socket or XLR socket to connect. (DMX cable NOT included.)

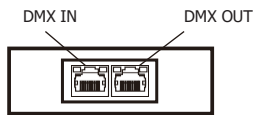
The final fixture should be terminated by the use of DMX Terminator (by others).

Fixture	DMX Address			
	Red Control (ex. X)	Green Control (ex. X+1)	Blue Control (ex. X+2)	White Control (ex. X+3)
#1	1	2	3	4
#2	5	6	7	8
#3	9	10	11	12

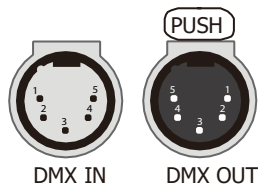
The LED fixture provide RJ45 Socket or XLR socket to connect. (DMX cable NOT included.)

The final fixture should be terminated by the use of DMX Terminator (by others).

RJ45 Sockets



XLR Sockets



CONNECTION	RJ45 (CAT5e)	5-PIN XLR
Common	WHITE/BROWN(PIN7) & BROWN(PIN 8)	PIN 1
Signal -	ORANGE(PIN 2)	PIN 2
Signal +	WHITE/ORANGE(PIN 1)	PIN 3
Spare	-	PIN 4
Spare	-	PIN 5