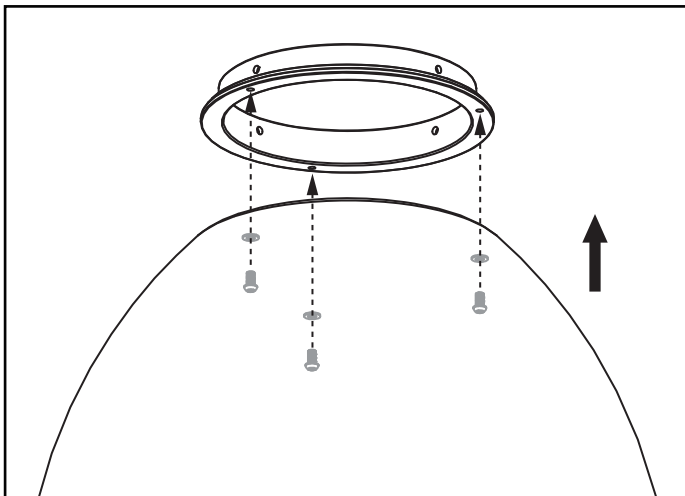


ADVANCED HIGH CEILING Vela 6 - Shroud



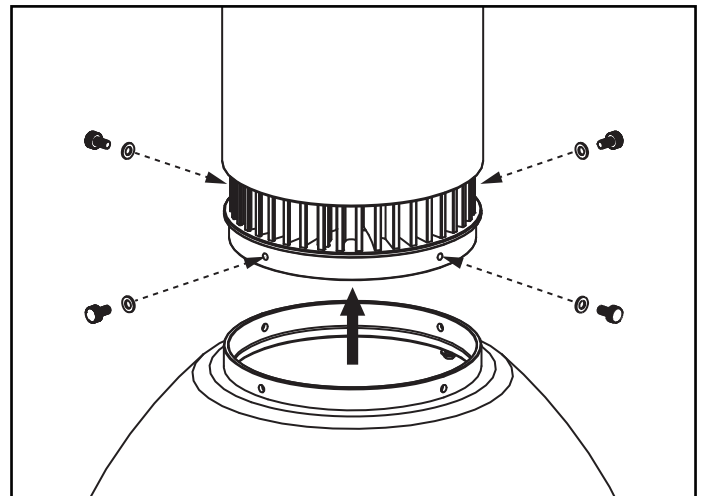
IMPORTANT SAFETY INFORMATION. READ AND FOLLOW ALL SAFETY INSTRUCTIONS

IMPORTANT SAFETY INFORMATION. READ AND FOLLOW ALL SAFETY INSTRUCTIONS. Before wiring to power supply and during servicing or relamping, turn off power at fuse or circuit breaker. All servicing or relamping must be performed by qualified service personnel. Product must be grounded to avoid potential electric shock or other potential hazard. Product must be at locations and at heights and in a manner consistent with its intended use, and in compliance with Electrical Code and local codes.
SAVE THESE INSTRUCTIONS FOR FUTURE REFERENCE.



Step 1

Affix the Shroud plate on top of the Aluminum or Acrylic Shroud and screw three Phillips screws as indicated.



Step 2

Bring up the shroud to the fixture and align it to the indicated openings and fasten in place with 4 thumb screws.



Step 3

Shroud Installation Complete.