

TETRISS 2.0

SPECIFICATION SHEET
STATIC WHITE

MODULAR HIGH CEILING LUMINAIRE

Housing

Dimension : 17.1"x5.7" | Weight : 18 lbs

Material

Housing : High Pressure Die-Cast Aluminum, Tempered Glass

Lens : Precision molded high transmittance clear PC lens

Power Input

200W, 400W, 600W | 120-277V, 347-480V

Lumen Output

20,100 lm (200W), 40,200 lm (400W), 60,300 lm (600W)

Dimming

Standard 0-10V : Dims to 10%

Superior 0-10V : Dims to 1%

DMX : High resolution dims to 0.1% (Supports ANSI E1.20 RDM protocol)

Color Quality

CRI 75, CRI 85

Rated Life

> 100,000 Hours (L70)

Finish



Black

Color Temperature



3000K



4000K



5000K

Optics



25°



40°



60°

Mounting



Bracket

EPA

1.21 ft² (200W), 2.12 ft² (400W), 2.69 ft² (600W)

Warranty

5 Year limited warranty

Listing



Scalable Lighting with Maximum Flexibility

Highly modular and adaptable, its lumen package range extends from 20,100 lm to an impressive 60,300 lm, offering both white and RGB modules for diverse lighting effects. Boasting a robust design, it excels in advanced high-ceiling applications, whether indoors, outdoors, or in demanding natatorium environments. Complementing its versatility, the fixture allows for precise control over light direction with a 60-degree rotation and 180-degree tilt capability.



SPECIFICATION

PROJECT NAME

DATE

CATALOG #

QUANTITY

The product configurator function on this page works only with the latest version of Chrome or Adobe Acrobat Reader.

TSW	MODEL	TETRISS 2.0 STATIC WHITE		
	WATTAGE	200 200W	400 400W	600 600W
	CCT / CRI	308 3000K / CRI 85	408 4000K / CRI 85	507 5000K / CRI 75
	VOLTAGE	UNV 120-277V	HVT 347-480V	
	DIMMING	STV Standard 0-10V dims to 10%	SPV Superior 0-10V dims to dark	DMX DMX dims to 0.1% (XLR Sockets)
	BEAM ANGLE	25 25°	40 40°	60 60°
BLK	FINISH	BLK Black		
BRK	MOUNTING	BRK Bracket Mount		
	ACCESSORIES	GSB ¹ Glare Shield Baffle	GSV ² Glare Shield Visor	

CLEAR FORM

¹ GSB option reduces delivered lumens by ~25%

² GSV option reduces delivered lumens by ~25%

TECHNICAL DETAILS

Electrical

- 20,100 lm (200W), 40,200 lm (400W), 60,300 lm (600W)
- Power Input : 120-277V, 347-480V
- Operating Temperature : -40°F~104°F
- Surge Protection : Built-in is 4KV
- Emergency Pack with Mounting Plate : Philips Bodine BSL20B2UEK55C111

LED Features

- Color Temperature : 3000K, 4000K, 5000K
- CRI 75, CRI 85
- Long lasting LED luminaire tested under TM21 lumen maintenance L70 @ 100,000 Hrs
- Lumen Maintenance > 0.90 at 60,000 hours

Optics

- Precision molded high transmittance clear PC lens
- Beam Angle : 25°, 40°, 60°

Advanced Dimming

- Proprietary VX Driver™ is integrated across all dimming options, delivering video flicker-free performance and full compliance with IEEE 1789.
- Standard 0-10V : dims to 10%
- Superior 0-10V : Dims to 1%
- DMX : High resolution dims to 0.1% (Supports ANSI E1.20 RDM protocol)

Housing

- Weight : 18 lbs (200W), 37.48 lbs (400W), 57.3 lbs (600W)
- Material : High Pressure Die-Cast Aluminum, Tempered Glass

Mounting

- Bracket Mount
(AC/Dimming cable length: Standard / 6ft)

EPA

- 1.21 ft² (200W), 2.12 ft² (400W), 2.69 ft² (600W)

Warranty

- 5-year limited warranty

Listing

- ETL Damp Location Listed
- CE

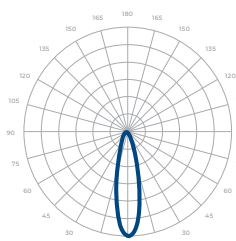
PERFORMANCE SUMMARY*

Delivered Lumens			
CCT/WATTAGE	3000K	4000K	5000K
200W	16,600lm	17,700lm	20,100m
400W	33,200lm	35,400lm	40,200lm
600W	49,600lm	53,010lm	60,300lm

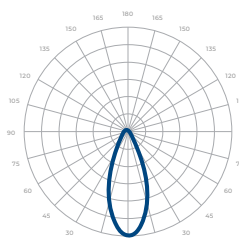
*Tolerance ±8%

PHOTOMETRICS

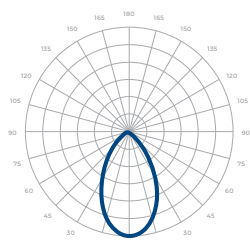
Below is a typical photometric representation of the Tetriss 2.0 fixture. Please download IES files to ensure exact photometric value.



25°



40°



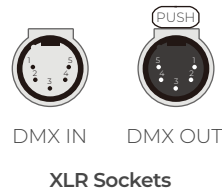
60°

DMX REQUIREMENTS

The Tetris 2.0 fixture with DMX is a **single channel dmx** unit. When placing an order, please indicate DMX address. (The DMX address will be listed on the back of the fixture). Do not connect more than 32 fixtures per DMX daisy chain.

The fixture can be connected with XLR socket. DMX cables **are not** included; please refer to compatible DMX cabling list for more information. The final fixture on each daisy chain should be terminated by the use of a DMX terminator purchased from a 3rd party or from Meteor.

CONNECTION	5-PIN XLR
Common	PIN 1
Signal -	PIN 2
Signal +	PIN 3
Spare	PIN 4
Spare	PIN 5

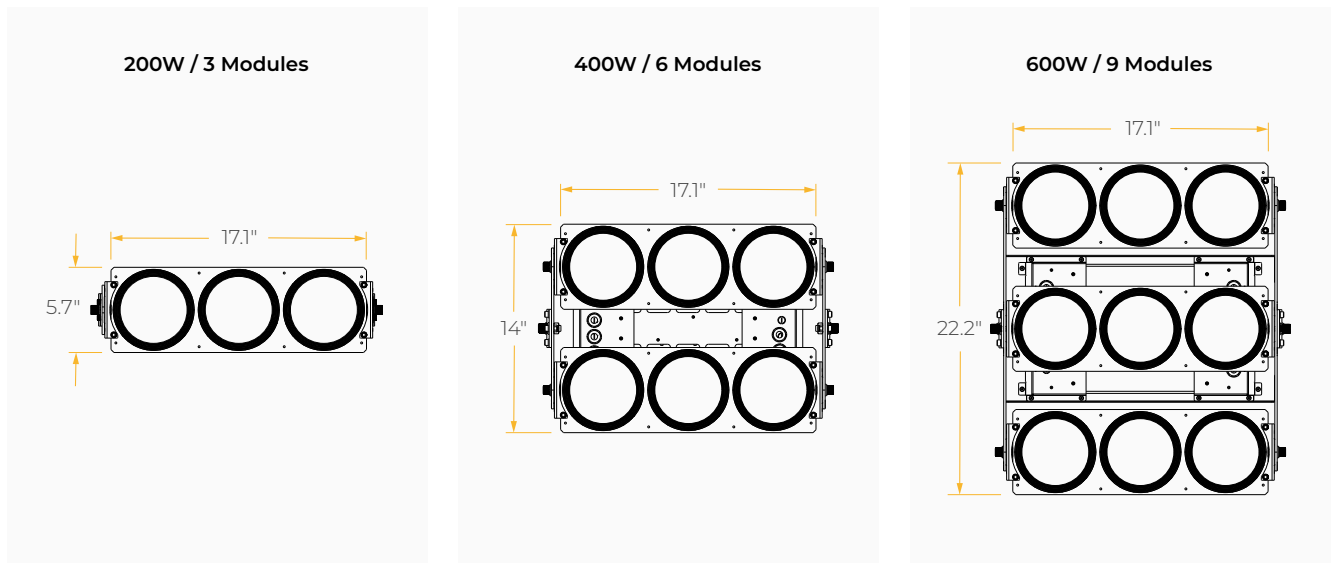


COMPATIBLE DMX CABLING LIST

DMX uses a cable consisting of two twisted pairs plus a shield to carry data. The cable must be specifically impedance matched for the digital DMX signal, meaning that microphone cable or other non-rated cable **must not be used to carry DMX**. Network cable (Cat5, 5e or 6 cable) may be used to carry DMX in an installation; however special consideration must be given to shielding and termination. Under no circumstances should solid core cable like Cat5 be terminated into a screw down connector.

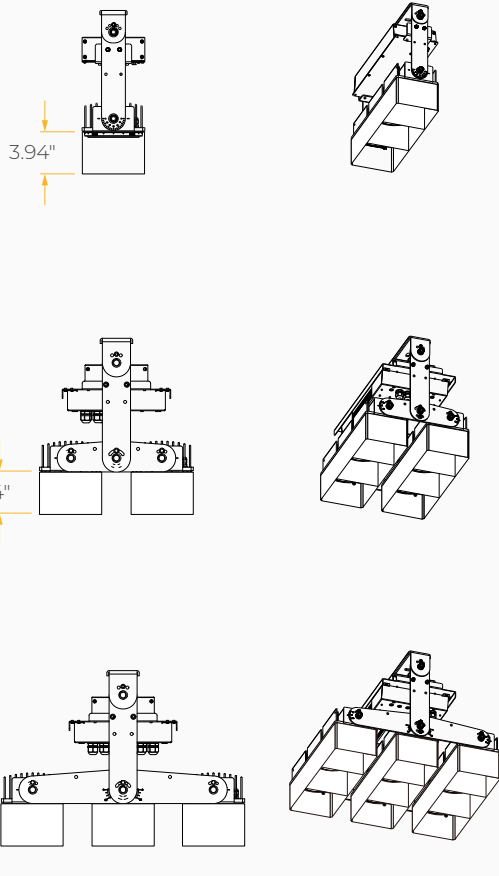
Meteor recommends the use of Belden 9729 or Belden 9841 for DMX installation. Belden 9729/9841 is a two pair cable, which allows for a spare pair for 'out and back' type terminations if needed.

DIMENSIONS

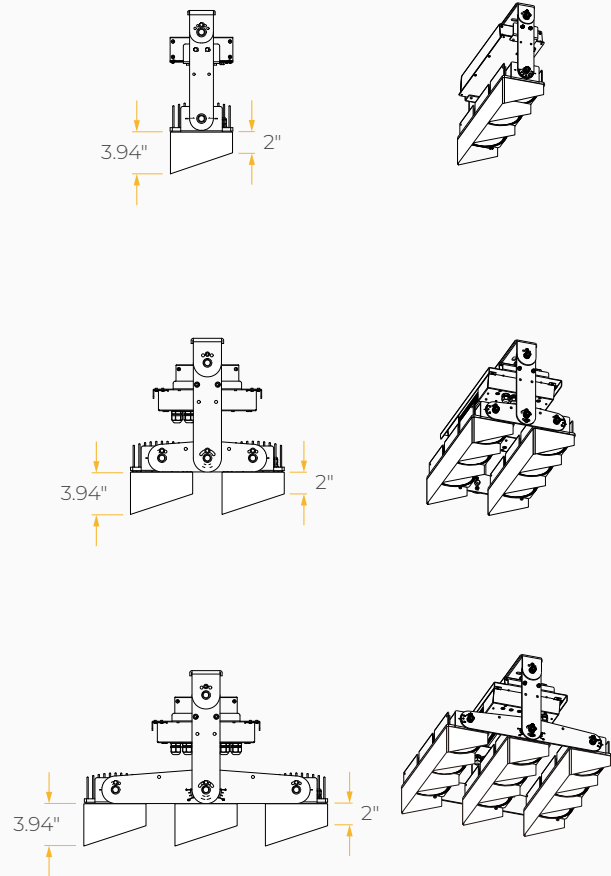


ACCESSORY

Glare Shield Baffle

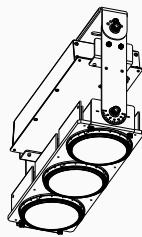
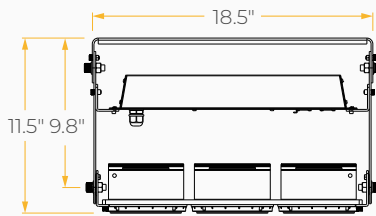


Glare Shield Visor

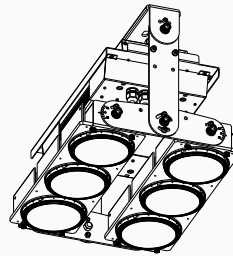
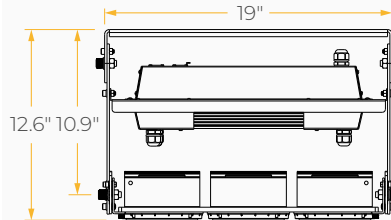


MOUNTING OPTIONS

Bracket Mount / 3 Modules



Bracket Mount / 6 Modules



Bracket Mount / 9 Modules

