

REV 8 PRIME

SPECIFICATION SHEET
WARM DIM

QUIET CEILING DESIGN HIGH LUMEN RECESSED DOWNLIGHT

Housing

Aperture : Ø9" | Oversize Trim : 9.13" | Ceiling Cutout : 8.25"
Maximum Ceiling Thickness : 1.5" | Height : 8.6"
Weight : 17.63 lbs/18.82 lbs (New Construction), 16.13 lbs (Retrofit)

Material

Housing : Forged Aluminum Heatsink
Reflector : Flow Forming Aluminum

Power Input

95W, 125W, 145W, 185W, 225W | 120V, 277V

Lumen Output

16,500 lm (185W), 20,100 lm (225W)

Dimming

Superior 0-10V : dims to 1%, dims to dark
DMX : High resolution dims to 0.1%

Color Quality

CRI 85+

Rated Life

> 100,000 Hours (L70)

Finish



Black



White

Color Temperature



ColorFlip™ Warm Dim
1900K ↔ 3000K

Optics



45°



55°



Wide

Warranty

5 Year limited warranty

Listing



Precision Engineered For High Performance.

8-inch aperture high lumen recessed downlight utilizing Meteor Lighting's proprietary ColorFlip™ Warm Dim solution, that results in superior efficacy and heat management.

This product is compatible with all existing 0-10V and DMX control systems. Bringing ambient lighting to your spaces.



METEOR

meteor-lighting.com

TECHNICAL DETAILS

Electrical

- 20,100 lm (185W), 16,500 lm (225W)
- Power Input : 120V or 277V
- Operating Temperature : -13°F~112°F
- Surge Protection : Built-in is 4KV
- Power Factor Greater than 0.9

LED Features

- Warm Dim™ Tunable White 1900K ↔ 3000K
- CRI 85+
- Long lasting LED luminaire tested under TM21 lumen maintenance L70 @ 100,000 Hrs

Optics

- Flow Forming Aluminum Reflector
- Beam Angle : 45°, 55°, Wide (With diffuser)

Advanced Dimming

- Proprietary VX Driver™ is integrated across all dimming options, delivering video flicker-free performance and full compliance with IEEE 1789.
- Superior 0-10V : dims to 1%, dims to dark
- DMX : High resolution dims to 0.1% (Supports ANSI E1.20 RDM protocol)

New Construction Housing

- Aperture : Ø8.15" (New Construction), Ø9" (Retrofit)
- Height : 8.6"
- Weight : 17.63 lbs/ 18.82 lbs (New Construction), 16.13 lbs (Retrofit)
- Material : Forged Aluminum Heatsink
- Non-IC Rated, insulation must be kept >1ft from housing
- Oversize Trim : 8.46" (New Construction), 9.13" (Retrofit)
- Ceiling Cutout : 8.25"
- Maximum Ceiling Thickness : 1.5"
- Tool-less top access allows service from above and below
- Light engine, optics, and driver(s) accessible from below ceiling
- Goof Ring 14" : Aluminum, standard white finish; O. D. 16"; other size and finish available, please inquire

*Note : C-Channel / Mounting Channels / T-Bar Hangers are purchased from a third party

Warranty

- 5-year limited warranty

Listing

- ETL Damp Location Listed
- FCC
- CE

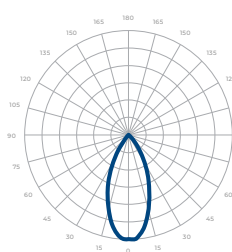
PERFORMANCE SUMMARY*

| Warm Dim | 1900K | | | | | 3000K |
|------------------------------|-------|---------|---------|----------|----------|----------|
| DMX CCT Signal (%) | 7% | 20% | 40% | 60% | 80% | 100% |
| 0-10V CCT Voltage | 0.7 | 2 | 4 | 6 | 8 | 10 |
| 185W | 400lm | 1,810lm | 5,430lm | 10,250lm | 15,480lm | 20,100lm |
| 225W | 330m | 1,485lm | 4,455lm | 8,415lm | 12,705lm | 16,500lm |

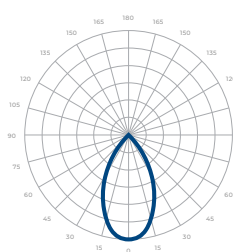
*Beam Angle: 45° *Tolerance ±8%

PHOTOMETRICS

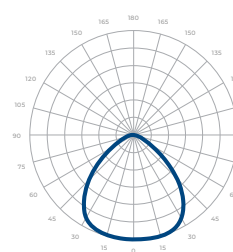
Below is a typical photometric representation of the Rev 8 Prime fixture. Please download IES files to ensure exact photometric value.



45°



55°



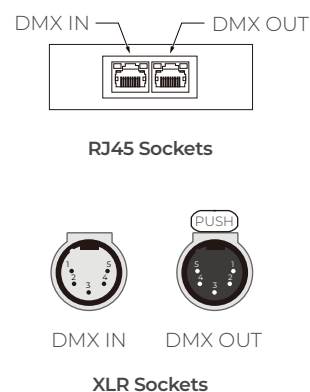
WIDE

DMX REQUIREMENTS

The Rev 8 fixture with DMX is a **single channel dmx** unit that dims both intensity and color temperature between 1900K <-> 3000K. When placing an order, please indicate DMX address. (The DMX address will be listed on the back of the fixture). Do not connect more than 32 fixtures per DMX daisy chain.

The fixture can be connected with RJ45 or XLR sockets. DMX cables **are not** included; please refer to compatible DMX cabling list for more information. The final fixture on each daisy chain should be terminated by the use of a DMX terminator purchased from a 3rd party or from Meteor.

| CONNECTION | RJ45 (CAT5e) | 5-PIN XLR |
|------------|-----------------------------------|-----------|
| Common | WHITE/BROWN(PIN7) & BROWN (PIN 8) | PIN 1 |
| Signal - | ORANGE (PIN 2) | PIN 2 |
| Signal + | WHITE/ORANGE (PIN 1) | PIN 3 |
| Spare | - | PIN 4 |
| Spare | - | PIN 5 |



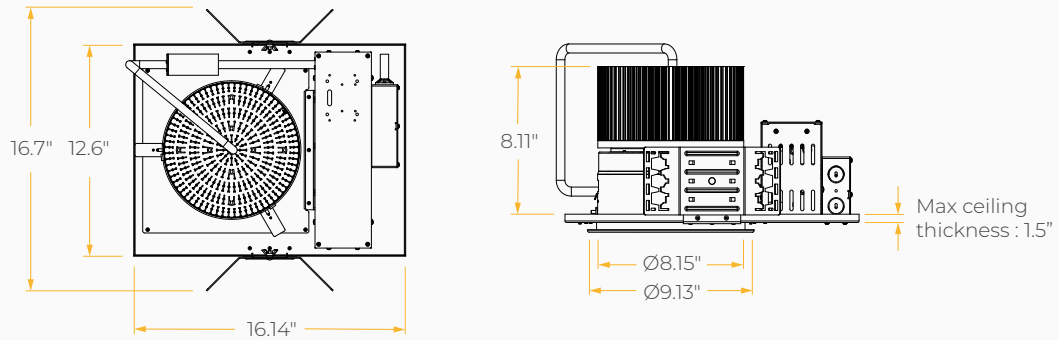
COMPATIBLE DMX CABLING LIST

DMX uses a cable consisting of two twisted pairs plus a shield to carry data. The cable must be specifically impedance matched for the digital DMX signal, meaning that microphone cable or other non-rated cable **must not be used to carry DMX**. Network cable (Cat5, 5e or 6 cable) may be used to carry DMX in an installation; however special consideration must be given to shielding and termination. Under no circumstances should solid core cable like Cat5 be terminated into a screw down connector.

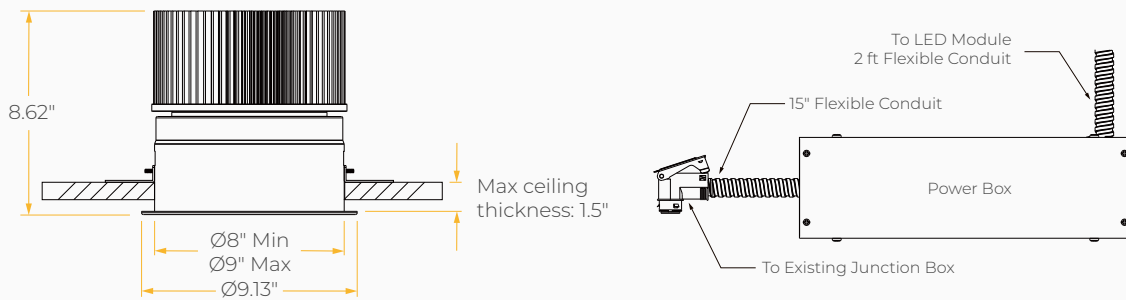
Meteor recommends the use of Belden 9729 or Belden 9841 for DMX installation. Belden 9729/9841 is a two pair cable, which allows for a spare pair for 'out and back' type terminations if needed.

DIMENSIONS

New Construction

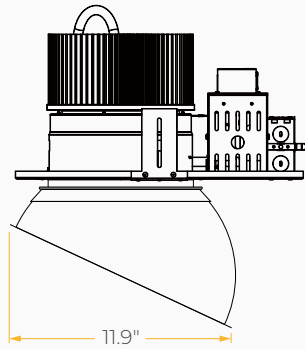


Retrofit

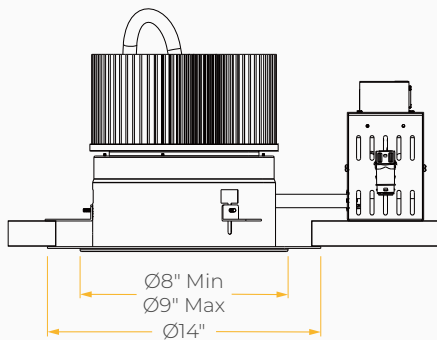


DIMENSIONS

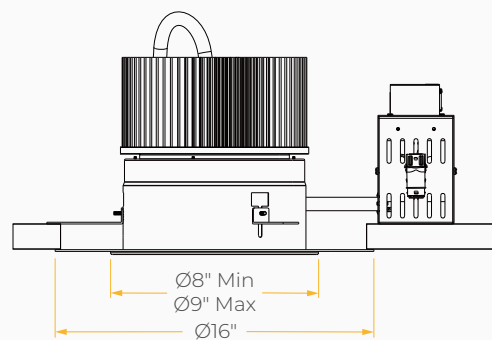
Sloped Ceiling Adapter



Goof Ring 12



Goof Ring 14



Custom Metal Ceiling Panel

