

# REV FLEX 2

SPECIFICATION SHEET  
STATIC WHITE

## REVOLUTIONARY ADJUSTABLE DOWNLIGHTS

### Housing

Aperture : Ø2.6" | Height : 4.37" | Weight : 2.2 lbs  
Maximum Ceiling Thickness : 1" | Ceiling Cutout : 2.9"

### Material

Housing : High Pressure Die-Cast Aluminum  
Optics : Clear polycarbonate

### Power Input

10W, 15W, 20W | 120V, 277V

### Lumen Output

820 lm (10W), 1,050 lm (15W), 1,400 lm (20W)

### Dimming

Superior 0-10V : dims to 1%, dims to dark  
TRC : Line-voltage phase control, dims to 1%  
DMX : High resolution dims to 0.1%  
DALI : Logarithmic dims to 1%

### Color Quality

CRI 85, CRI 93

### Rated Life

> 100,000 Hours (L70)

### Bezel Finish



Matte  
Black



Matte  
White



Matte  
Silver

### Trim Finish



Matte  
Black



Matte  
White

### Color Temperature



2700K



3000K



3500K



4000K

### Optics



25°



40°



55°

### Adjustability



0°-30°  
Tilt



0°-359°  
Rotation

### Warranty

5 Year limited warranty

### Listing



## Quiet . Adjustable. Color Changing.

The new REV Flex series is an extension of Meteor's revolutionary downlights with an adjustable factor. Coming in a range of 2", 4" and 6" apertures. The REV Flex series feature 359° rotation, 30° tilt, and a variety of architectural illumination options.

All REV Flex configurations are Title 24 listed, and compatible with our proprietary high efficacy Archi-Color® color changing technology W+RGB. Also features built-in Flicker-Free video recording with our VX™ Driver.



# METEOR

[meteor-lighting.com](https://meteor-lighting.com)

**SPECIFICATION**

PROJECT NAME

DATE

CATALOG #

QUANTITY

The product configurator function on this page works only with the latest version of Chrome or Adobe Acrobat Reader.

<input type="text"/>	MODEL	<b>RF2N</b> REV Flex 2 New Construction	<b>RF2R</b> REV Flex 2 Retrofit	
<input type="text"/>	WATTAGE	<b>10</b> 10W	<b>15</b> 15W	<b>20</b> 20W
<input type="text" value="A"/>	BEZEL TYPE	<b>A</b> Adjustable Bezel		
<input type="text"/>	CCT / CRI	<b>278</b> 2700K / CRI 85 <b>309</b> 3000K / CRI 93 <b>408</b> 4000K / CRI 85	<b>279</b> 2700K / CRI 93 <b>358</b> 3500K / CRI 85 <b>409</b> 4000K / CRI 93	<b>308</b> 3000K / CRI 85 <b>359</b> 3500K / CRI 93
<input type="text"/>	VOLTAGE	<b>120</b> 120V	<b>277</b> 277V	
<input type="text"/>	DIMMING	<p><b>Standard</b></p> <p><b>NOD</b> Non-Dimming      <b>SPV</b> Superior 0-10V dims to 1%, dims to dark      <b>TRC<sup>1</sup></b> Line-voltage phase control, dims to 1%</p> <p><b>DALI</b> DALI dims to 1%</p> <hr/> <p><b>Remote Power Box Only</b></p> <p><b>DMXP<sup>2</sup></b> DMX dims to 0.1% (Phoenix Connector)      <b>DMXR<sup>2</sup></b> DMX dims to 0.1% (RJ45 Sockets)</p>		
<input type="text"/>	TRIM TYPE	<p><b>Standard</b></p> <p><b>R</b> Round      <b>S</b> Square</p> <hr/> <p><b>Remote Power Box Only</b></p> <p><b>SF<sup>3</sup></b> Square Flangeless      <b>RF<sup>3</sup></b> Round Flangeless</p>		
<input type="text"/>	TRIM FINISH	<b>BLK</b> Matte Black	<b>WHT</b> Matte White	
<input type="text"/>	BEZEL FINISH	<b>BLK</b> Matte Black	<b>WHT</b> Matte White	<b>SLV</b> Matte Silver
<input type="text"/>	BEAM ANGLE	<b>25</b> 25°	<b>40</b> 40°	<b>55</b> 55°
<input type="text"/>	ACCESSORIES	<b>HC<sup>4</sup></b> Hex Cell Louver	<b>RM25<sup>5</sup></b> Remote Power 25ft	<b>RM50<sup>5</sup></b> Remote Power 50ft

CLEAR FORM

<sup>1</sup> TRC must be specified with 120V  
<sup>2</sup> DMXP and DMXR options does not have below ceiling access  
<sup>3</sup> Flangeless trims are always white in color  
<sup>4</sup> HC option reduces delivered lumens by ~25%  
<sup>5</sup> Mount remotely in an accessible location for maintenance

**TECHNICAL DETAILS**

**Electrical**

- 820 lm (10W) , 1,050 lm (15W), 1,440 lm (20W)
- Power Input : 120, 277V
- Operating Temperature : 14°F~104°F

**LED Features**

- Color Temperature : 2700K, 3000K, 3500K, 4000K
- CRI 85, CRI 93
- Long lasting LED luminaire tested under TM21 lumen maintenance L70 @ 100,000 Hrs

**Optics**

- Precision molded high transmittance clear PC lens
- Beam Angle : 25°, 40°, 55°

**Advanced Dimming**

- Proprietary VX Driver™ is integrated across all dimming options, delivering video flicker-free performance and full compliance with IEEE 1789.
- Superior 0-10V : dims to 1%, dims to dark
- TRC : Line-voltage phase control, dims to 1% (120V only)
- DMX : High resolution dims to 0.1% (Supports ANSI E1.20 RDM protocol)
- DALI : Logarithmic dims to 1%

**Housing**

- Aperture : Ø2.6"
- Height : 3.8"(10W, 15W), 4.37"(20W)
- Weight : 2.2 lbs (New Construction), 1.06 lbs (Retrofit)
- Ceiling Cutout : 2.9" (New Construction), 2.8" (Retrofit)
- Maximum Ceiling Thickness : 1"
- Material : High Pressure Die-Cast Aluminum, PC Lens
- Non-IC Rated, insulation must be kept >0.5ft from housing
- Light engine, optics, and driver(s) accessible from below ceiling, except DMX
- For flangeless installations, driver must be remote-mounted in an accessible ceiling cavity.

\*Note : C-Channel / Mounting Channels / T-Bar Hangers are purchased from a third party

**Warranty**

- 5-year limited warranty

**Listing**

- ETL
- CE
- FCC
- JA8 Title 24 Compliant

**PERFORMANCE SUMMARY\***

Delivered Lumens				
CCT/WATTAGE	2700K	3000K	3500K	4000K
<b>10W</b>	690lm	720lm	770lm	820lm
<b>15W</b>	900lm	950lm	1,000lm	1,050lm
<b>20W</b>	1,200lm	1,270lm	1,330lm	1,400lm

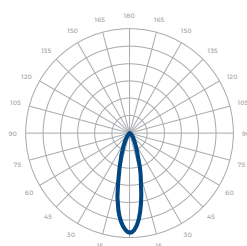
Current Consumption		
WATTAGE / VOLT	120V	277V
<b>10W</b>	0.08A	0.04A
<b>15W</b>	0.13A	0.06A
<b>20W</b>	0.16A	0.07A

\*Beam Angle: 55° \* Tolerance ±8%

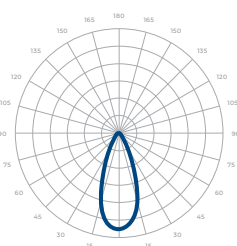
\*For specifications requiring a CRI of 93, apply a 0.8 multiplier to the lumen output values listed.

**PHOTOMETRICS**

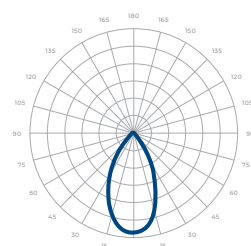
Below is a typical photometric representation of the Rev Flex 2 fixture. Please download IES files to ensure exact photometric value.



25°



40°



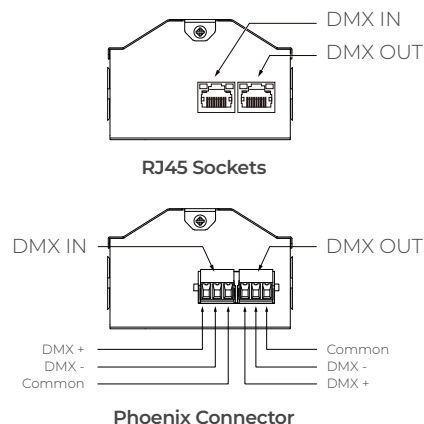
55°

## DMX REQUIREMENTS

The REV Flex 2 fixture with DMX is a **single channel dmx** unit. When placing an order, please indicate DMX address. (The DMX address will be listed on the back of the fixture). Do not connect more than 32 fixtures per DMX daisy chain.

The fixture can be connected with RJ45 Sockets or Phoenix Connector. DMX cables **are not** included; please refer to compatible DMX cabling list for more information. The final fixture on each daisy chain should be terminated by the use of a DMX terminator purchased from a 3rd party or from Meteor.

CONNECTION	RJ45 (CAT5e)
Common	WHITE/BROWN(PIN7) & BROWN (PIN 8)
Signal -	ORANGE (PIN 2)
Signal +	WHITE/ORANGE (PIN 1)
Spare	-
Spare	-



## COMPATIBLE DMX CABLING LIST

DMX uses a cable consisting of two twisted pairs plus a shield to carry data. The cable must be specifically impedance matched for the digital DMX signal, meaning that microphone cable or other non-rated cable **must not be used to carry DMX**. Network cable (Cat5, 5e or 6 cable) may be used to carry DMX in an installation; however special consideration must be given to shielding and termination. Under no circumstances should solid core cable like Cat5 be terminated into a screw down connector.

Meteor recommends the use of Belden 9729 or Belden 9841 for DMX installation. Belden 9729/9841 is a shielded twisted pair cable, which allows for a spare pair for 'out and back' type terminations if needed.

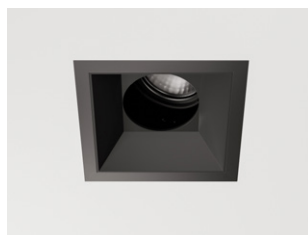
## TRIM TYPES



Round Trim



Round Flangeless Trim

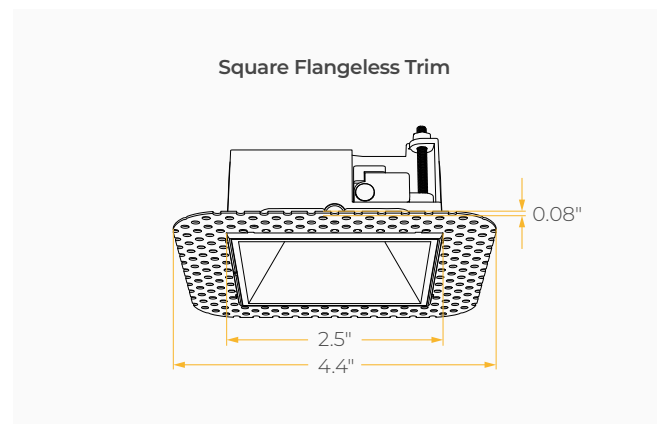
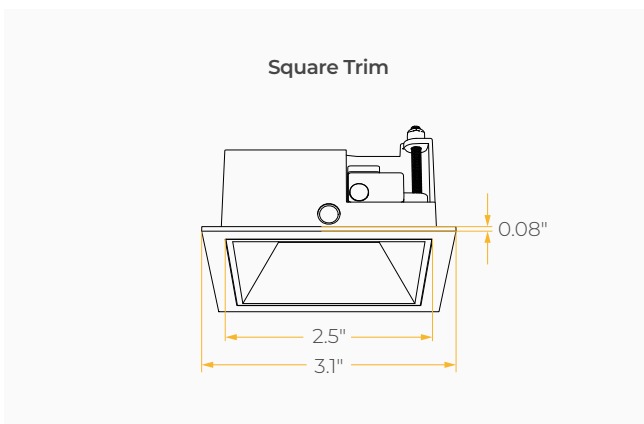
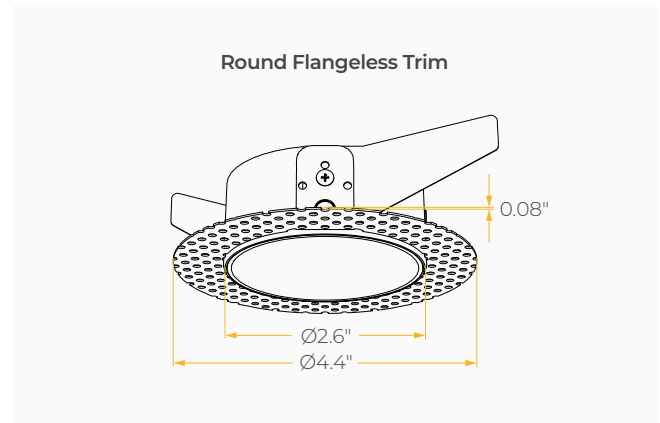
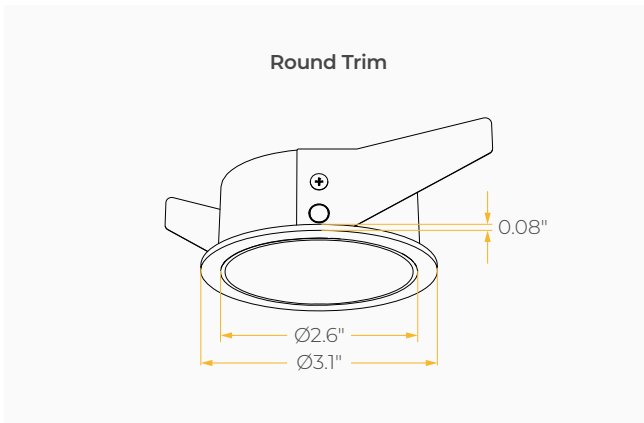
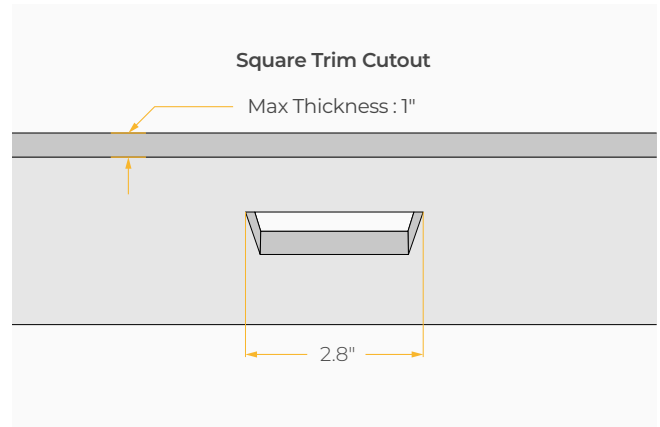
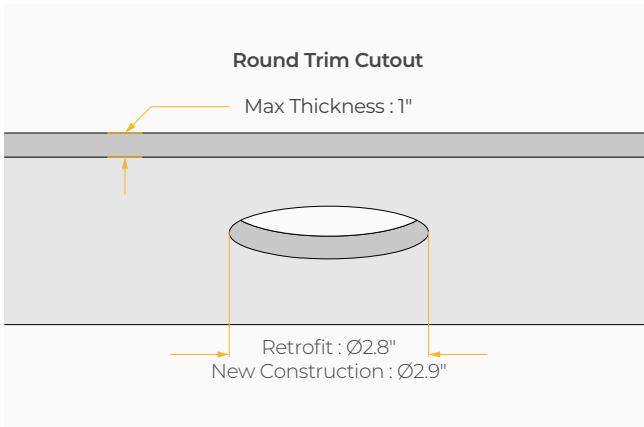


Square Trim



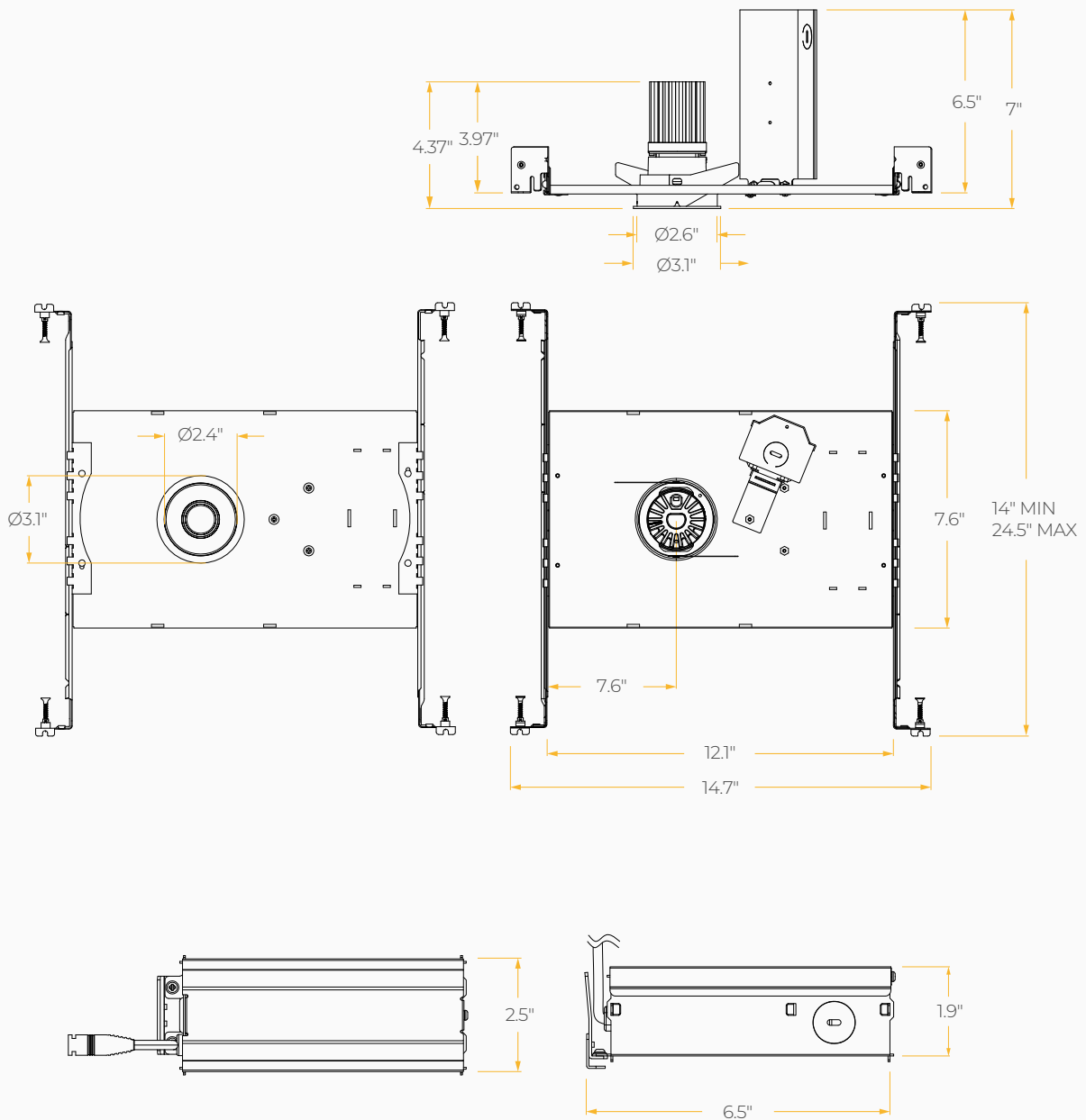
Square Flangeless Trim

**DIMENSIONS**



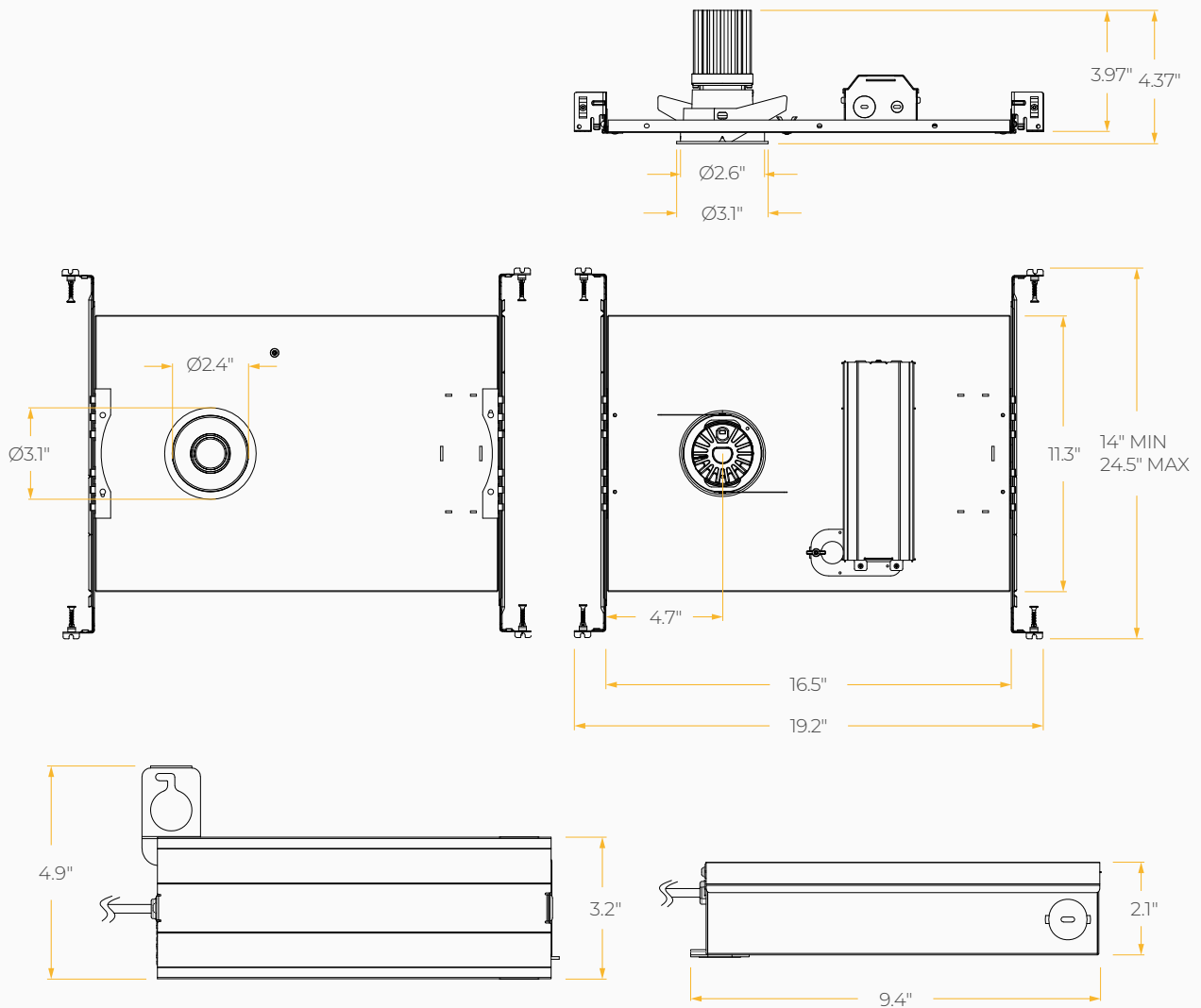
DIMENSIONS

New Construction (NOD/SPV/TRC/DALI)

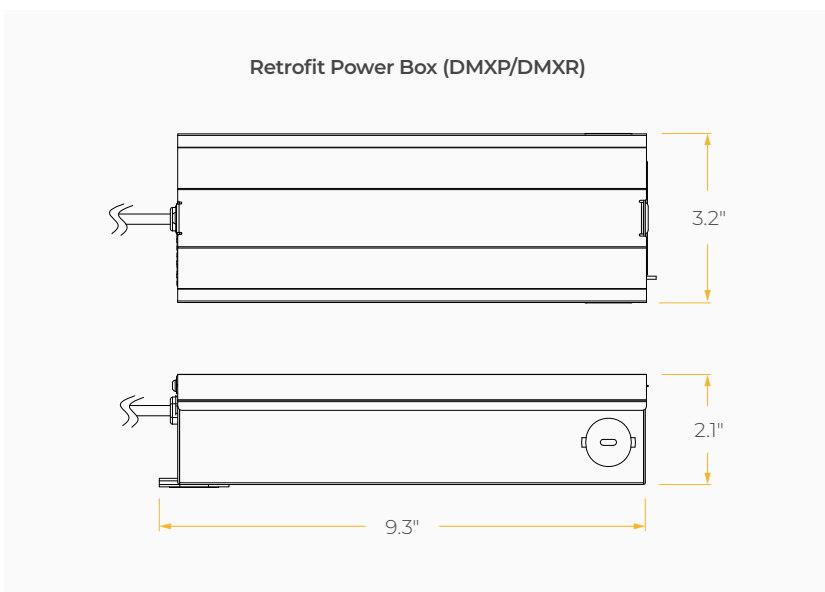
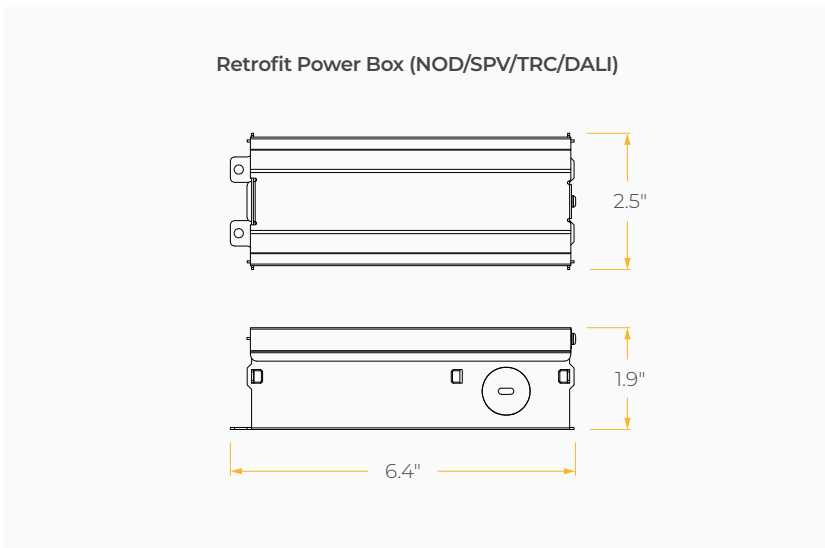
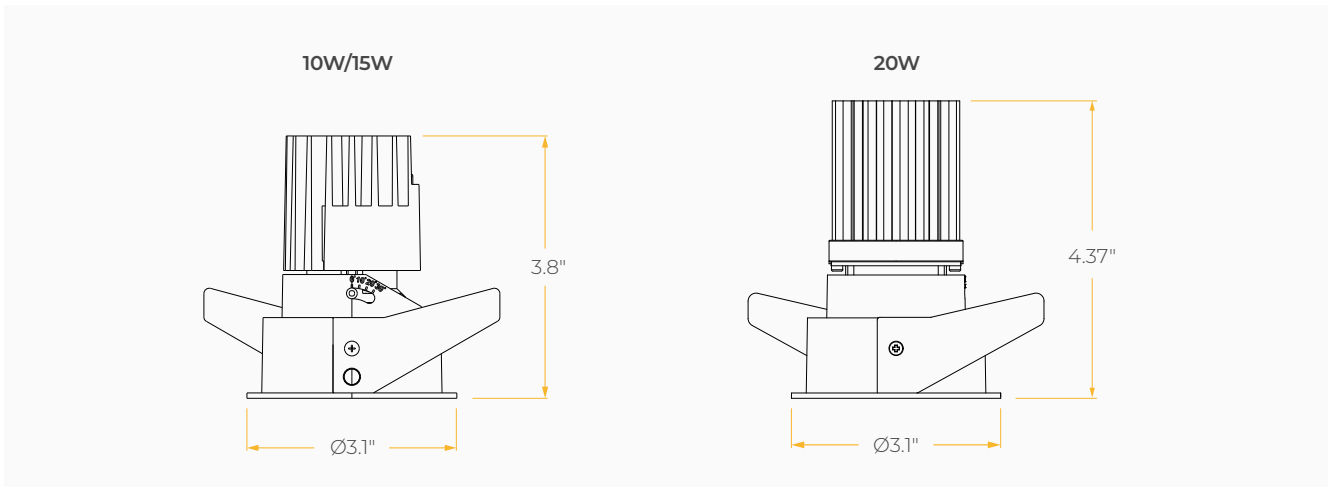


**DIMENSIONS**

New Construction (DMX/DMXR)



**DIMENSIONS**



**DIMENSIONS**

---

