

REIZEN

SPECIFICATION SHEET
STATIC WHITE

INDIRECT ASYMMETRIC LUMINAIRE

Housing

Diameter : 13" x 9.8" x 4.3" | Weight : 19.8 lbs

Material

Housing : High Pressure Die-Cast Aluminum

Lens : Tempered Glass

Power Input

100W, 150W, 200W, 300W | 120-277V, 347-480V

Lumen Output

11,500 lm (100W), 20,850 lm (150W), 22,500 lm (200W), 40,850 lm (300W)

Dimming

Standard 1-10V : Dims to 10%

Superior 0-10V : Dims to 1%

DMX : High resolution dims to 0.1%

DALI : DALI dims to 10%

Color Quality

CRI 75, CRI 85

Rated Life

> 100,000 Hours (L70)

Finish



Black



White

Color Temperature



3000K



3500K



4000K



5000K

Optics



Asymmetric

Mounting



Stem
Mount



210L & 370L
Stem Mount



Wall
Mount

Warranty

5 Year limited warranty

Listing



Light Shaping Prismatic Technology

Using the latest light shaping prismatic technology, the Reizen offers smooth uniform asymmetric lighting up to 40,850 lumens, and is suitable for both outdoor and natatorium use. It features Tunable White and W+RGB color changing options, offering a subtle yet dramatic flair to any space.

Superior performance, in a compact-sized fixture is a true highlight of the Reizen luminaire, which are available in both sconce and pendant forms.



SPECIFICATION

PROJECT NAME

DATE

CATALOG #

QUANTITY

The product configurator function on this page works only with the latest version of Chrome or Adobe Acrobat Reader.

<input type="text" value="RI"/>	MODEL	REIZEN		
<input type="text"/>	LIGHT SOURCE	110L 100W Light Engine 370L 300W Light Engine	190L 150W Light Engine	210L 200W Light Engine
<input type="text"/>	CCT / CRI	308 3000K / CRI 85 507 5000K / CRI 75	358 3500K / CRI 85	408 4000K / CRI 85
<input type="text"/>	VOLTAGE	UNV 120 – 277V	HVT 347 – 480V	
<input type="text"/>	DIMMING	STV Standard 1-10V dims to 10% DMXW² DMX dims to 0.1% (Hard-Wired)	SPV Superior 0-10V dims to 1% DALI DALI dims to 10%	DMXR¹ DMX dims to 0.1% (RJ45 Sockets)
<input type="text" value="ASY"/>	BEAM ANGLE	ASY Asymmetric		
<input type="text"/>	FINISH	BLK Black	WHT White	
<input type="text"/>	MOUNTING	WLM Wall Mount	ST4 Stem 4ft	ST8³ Stem 8ft
<input type="text"/>	ACCESSORIES	GSV⁴ Glare Shield Visor	EMP Remote Emergency Pack	

CLEAR FORM

¹ DMXR is not compatible with ST4, ST8
² DMXW option is connected through 3 DMX Positive / Negative / Common wires
³ ST8 includes two 4ft stem connected by an adapter
⁴ GSV option reduces delivered lumens by ~10%

TECHNICAL DETAILS

Electrical

- 11,500 lm (100W), 20,850 lm (150W), 22,500 lm (200W), 40,850 lm (300W)
- Power Input : Universal (120-277V), HVT(347-480V)
- Operating Temperature : -40°F~113°F
- Surge Protection : Built-in is 4KV
- Power Factor Greater than 0.9

LED Features

- Color Temperature : 3000K, 3500K, 4000K, 5000K
- CRI 75, CRI 85
- Long lasting LED luminaire tested under TM21 lumen maintenance L70 @ 100,000 Hrs

Optics

- Precision molded high transmittance clear PC lens
- Beam Angle : Asymmetric

Advanced Dimming

- Proprietary VX Driver™ is integrated across all dimming options, delivering video flicker-free performance and full compliance with IEEE 1789.
- Standard 1-10V : Dims to 10%
- Superior 0-10V : Dims to 1%
- DMX : High resolution dims to 0.1% (Supports ANSI E1.20 RDM protocol)
- DALI : DALI dims to 10%

Housing

- Diameter & Weight :
110L & 190L : 13" x 9.8" x 4.3", 19.8 lbs
210L & 370L : 24.9" x 9.8" x 4.3", 38.8 lbs
- Diameter & Weight with Visor :
110L & 190L : 13" x 14.8" x 4.3", 22.9 lbs
210L & 370L : 24.9" x 14.8" x 4.3", 44.9 lbs
- Material : High Pressure Die-Cast Aluminum, Tempered Glass

Mounting

- Wall Mount
- Stem Mount

Warranty

- 5-year limited warranty

Listing

- ETL Damp Location Listed
- CE
- FCC
- UKCA

PERFORMANCE SUMMARY*

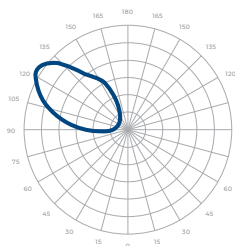
	Delivered Lumens			
CCT/WATTAGE	3000K	3500K	4000K	5000K
110L (100W)	10,150lm	10,600lm	10,900lm	11,500lm
190L (150W)	17,650lm	18,500lm	19,000lm	20,850lm
210L (200W)	19,850lm	20,500lm	21,350lm	22,500lm
370L (300W)	34,550lm	36,500lm	37,200lm	40,850lm

*Tolerance ±8%

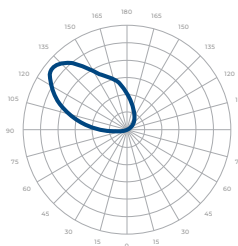
	Current Consumption	
LIGHT SOURCE	120V	277V
110L (100W)	0.92A	0.4A
190L (150W)	1.38A	0.6A
210L (200W)	1.83A	0.8A
370L (300W)	2.75A	1.2A

PHOTOMETRICS

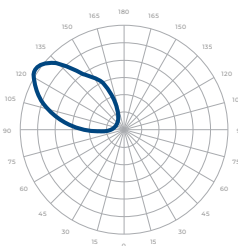
Below is a typical photometric representation of the Reizen fixture. Please download IES files to ensure exact photometric value.



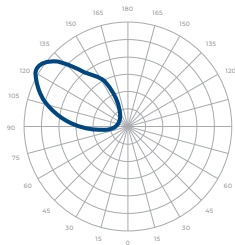
110L



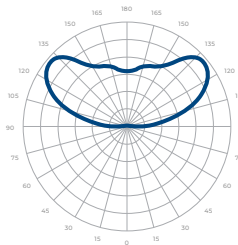
190L



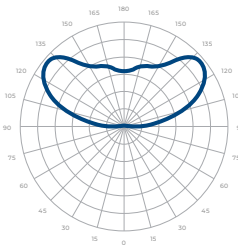
210L



370L



210L - STEM



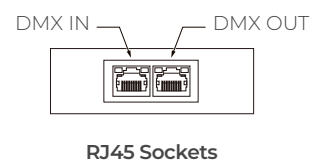
370L - STEM

DMX REQUIREMENTS

The Reizen fixture with DMX is a **single channel dmx** unit. When placing an order, please indicate DMX address. (The DMX address will be listed on the back of the fixture). Do not connect more than 32 fixtures per DMX daisy chain.

The fixture can be connected with RJ45 or XLR sockets. DMX cables **are not** included; please refer to compatible DMX cabling list for more information. The final fixture on each daisy chain should be terminated by the use of a DMX terminator purchased from a 3rd party or from Meteor.

CONNECTION	RJ45 (CAT5e)	RJ45 (CAT5e)
Common	WHITE/BROWN(PIN7) & BROWN (PIN 8)	Black
Signal -	ORANGE (PIN 2)	White
Signal +	WHITE/ORANGE (PIN 1)	Blue
Spare	-	
Spare	-	



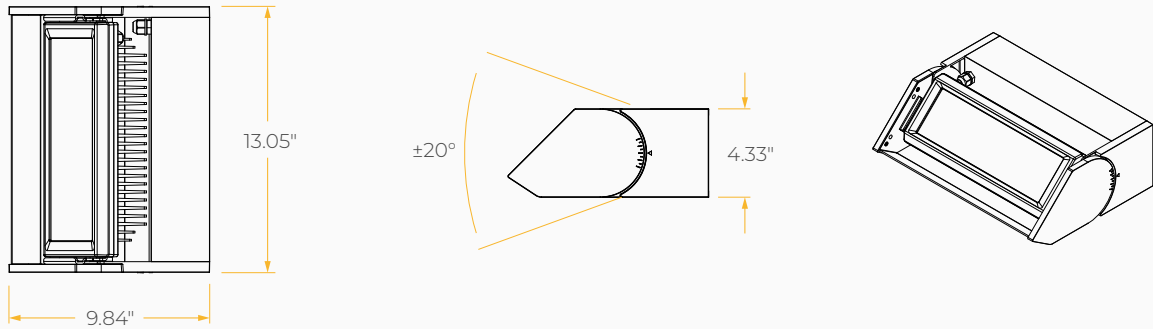
COMPATIBLE DMX CABLING LIST

DMX uses a cable consisting of two twisted pairs plus a shield to carry data. The cable must be specifically impedance matched for the digital DMX signal, meaning that microphone cable or other non-rated cable **must not be used to carry DMX**. Network cable (Cat5, 5e or 6 cable) may be used to carry DMX in an installation; however special consideration must be given to shielding and termination. Under no circumstances should solid core cable like Cat5 be terminated into a screw down connector.

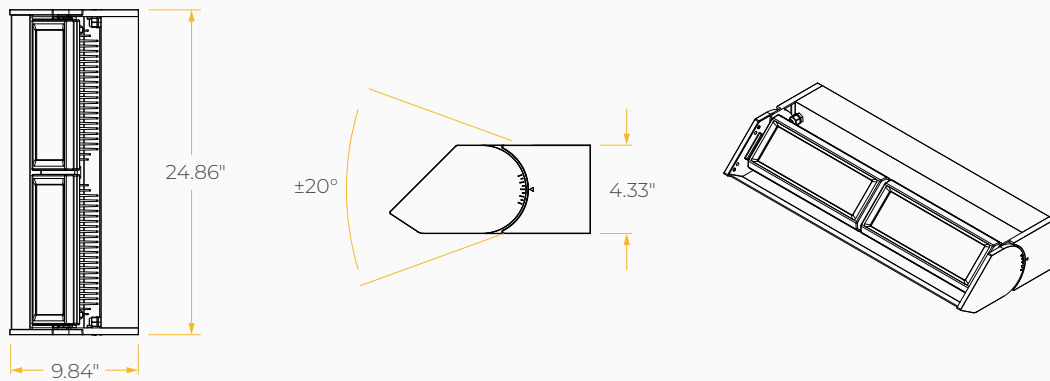
Meteor recommends the use of Belden 9729 or Belden 9841 for DMX installation. Belden 9729/9841 is a two pair cable, which allows for a spare pair for 'out and back' type terminations if needed.

DIMENSIONS

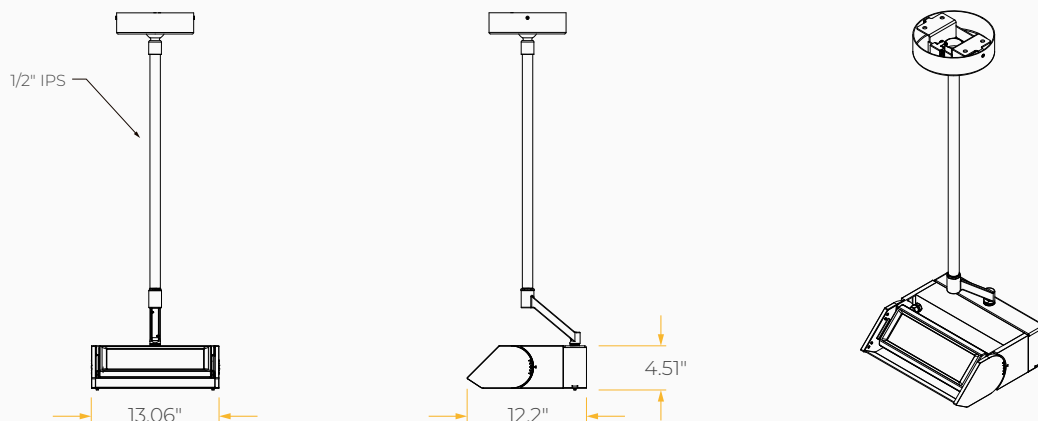
110L & 190L / Wall Mount



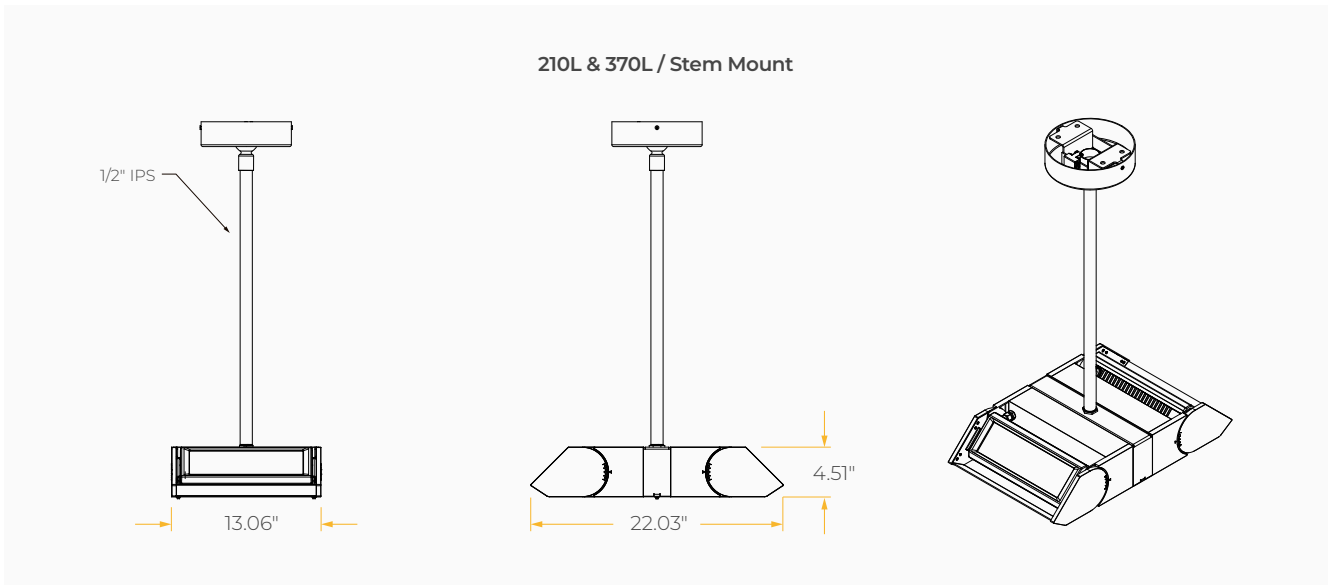
210L & 370L / Wall Mount



110L & 190L / Stem Mount



DIMENSIONS



ACCESSORIES

