

ATRIA II 4

SPECIFICATION SHEET
WARM DIM

REIMAGINING PERFORMANCE SPACES

Housing

Diameter : Ø4.8" | Height : 12.6" | Weight : 8 lbs

Material

Housing : High Pressure Die-Cast Aluminum

Optics : Aluminum Reflector

Power Input

15W, 25W, 35W, 45W | 120 or 277V

Lumen Output

1,600 lm (15W), 2,200 lm (25W), 2,550 lm (35W), 3,000 lm (45W)

Dimming

Superior 0-10V : Dims to 1%

DMX : High resolution dims to 0.1%

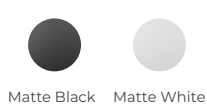
Color Quality

CRI 85+

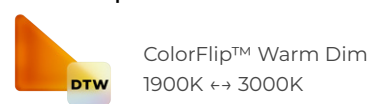
Rated Life

> 100,000 Hours (L70)

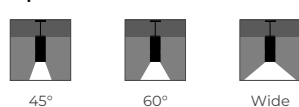
Finish



Color Temperature



Optics



Mounting



Warranty

5 Year limited warranty

Listing



Versatile and Compact Architectural Cylinder

Engineered for performance spaces, this architectural compact cylinder seamlessly integrates into ceilings, delivering powerful performance with vibrant, color-changing technology that elevates any stage environment.

ColorFlip™ harnesses advanced flip-chip technology, designed in-house, to deliver high-efficacy, flexible, and cost-effective color tuning solutions. This technology ensures robust output and precise color accuracy.



METEOR

meteor-lighting.com

SPECIFICATION

PROJECT NAME

DATE

CATALOG #

QUANTITY

The product configurator function on this page works only with the latest version of Chrome or Adobe Acrobat Reader.

<input type="text" value="ASII4"/>	MODEL	ATRIA II 4		
<input type="text"/>	WATTAGE	15 15W 45 45W	25 25W	35 35W
<input type="text" value="WDIM"/>	CCT / CRI	WDIM 1900K-3000K		
<input type="text" value="UNV"/>	VOLTAGE	UNV 120 – 277V		
<input type="text"/>	DIMMING	SPV Superior 0-10V dims to 1% DMXW DMX dims to 0.1% (Hard-wired)	DMX¹ DMX dims to 0.1% (XLR Sockets)	DMXR DMX dims to 0.1% (RJ45 Sockets)
<input type="text"/>	BEAM ANGLE ¹	45 45°	60 60°	WD² Wide
<input type="text"/>	FINISH	BLK SilentBlack™, Matte Finish	WHT SilentWhite™, Matte Finish	
<input type="text"/>	RIM FINISH	STD Standard Trim	GLR Glow Ring	
<input type="text"/>	MOUNTING	SUM Surface Mount AD10 Adjustable Cable 10ft YKM Yoke Mount	ST2 Stem 2ft SAD10 Sloped Adjustable Cable 10ft	ST4 Stem 4ft WLM³ Wall Mount
<input type="text"/>	ACCESSORIES	EMP Remote Emergency Pack	CT⁴ Conduit Mount	FCS⁵ Field Cut Stem Adapter Kit

CLEAR FORM

¹ All beam angle options include an integrated diffuser
² WD option reduces delivered lumens by ~12%
³ WLM is not compatible with DMX, DMXR; connections are hard-wired using three DMX wires
⁴ CT is not compatible with SUM, YKM, WLM
⁵ FCS is not compatible with SUM, AD10, SAD10, YKM, WLM

TECHNICAL DETAILS

Electrical

- 1,600 lm (15W), 2,200 lm (25W), 2,550 lm (35W), 3,000 lm (45W)
- Power Input : Universal (120-277V)
- Operating Temperature : -40°F~104°F
- Surge Protection : Built-in is 4KV
- Power Factor Greater than 0.9

LED Features

- ColorFlip™ Warm Dim 1900K ↔ 3000K
- CRI 85+
- Long lasting LED luminaire tested under TM21 lumen maintenance L70 @ 100,000 Hrs
- Lumen Maintenance > 0.90 at 60,000 hours

Optics

- Aluminum Reflector
- Beam Angle : 45°, 60°, Wide

Advanced Dimming

- Proprietary VX Driver™ is integrated across all dimming options, delivering video flicker-free performance and full compliance with IEEE 1789.
- Superior 0-10V : Dims to 1%
- DMX : High resolution dims to 0.1% (Supports ANSI E1.20 RDM protocol)

Housing

- Diameter : Ø4.8"
- Height : 12.6"
- Material : High Pressure Die-Cast Aluminum, Metal Reflector
- Weight : 8 lbs

Mounting

- Stem 2ft or 4ft; 45° Swivel Canopy Included
- Adjustable Cable 10ft
- Sloped Adjustable Cable 10ft
- Surface Mount
- Wall Mount
- Yoke Mount

Warranty

- 5-year limited warranty

Listing

- ETL Damp Location Listed
- CE
- FCC
- Energy Star Rated
- UKCA

PERFORMANCE SUMMARY*

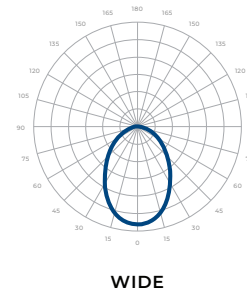
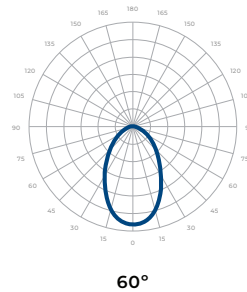
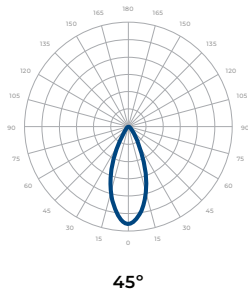
Warm Dim	1900K					3000K
DMX CCT Signal (%)	7%	20%	40%	60%	80%	100%
0-10V CCT Voltage	0.7	2	4	6	8	10
15W	30lm	145lm	430lm	816lm	1,230lm	1,600lm
25W	45lm	200lm	595lm	1,125lm	1,695lm	2,200lm
35W	50lm	230lm	690lm	1,300lm	1,965lm	2,550lm
45W	60lm	270lm	810lm	1,530lm	2,310lm	3,000lm

*Tolerance±8%

Current Consumption		
WATTAGE / VOLT	120V	277V
15W	0.17A	0.08A
25W	0.23A	0.11A
35W	0.34A	0.15A
45W	0.45A	0.2A

PHOTOMETRICS

Below is a typical photometric representation of the Atria II 4 fixture. Please download IES files to ensure exact photometric value.

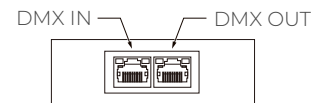


DMX REQUIREMENTS

The Atria II 4 fixture with DMX is a **single channel dmx** unit that dims both intensity and color temperature between 1900K <-> 3000K. When placing an order, please indicate DMX address. (The DMX address will be listed on the back of the fixture). Do not connect more than 32 fixtures per DMX daisy chain.

The fixture can be connected with RJ45 or XLR sockets. DMX cables **are not** included; please refer to compatible DMX cabling list for more information. The final fixture on each daisy chain should be terminated by the use of a DMX terminator purchased from a 3rd party or from Meteor.

CONNECTION	RJ45 (CAT5e)	5-PIN XLR
Common	WHITE/BROWN(PIN7) & BROWN (PIN 8)	PIN 1
Signal -	ORANGE (PIN 2)	PIN 2
Signal +	WHITE/ORANGE (PIN 1)	PIN 3
Spare	-	PIN 4
Spare	-	PIN 5



RJ45 Sockets



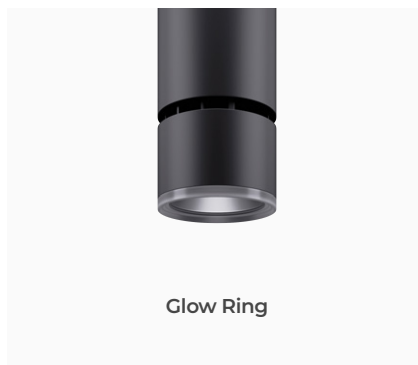
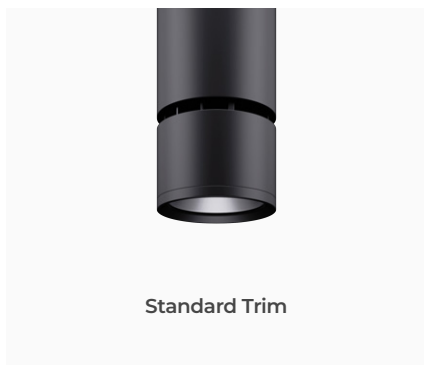
XLR Sockets

COMPATIBLE DMX CABLING LIST

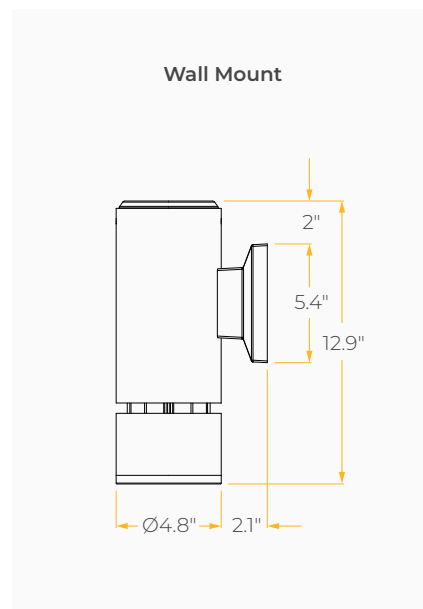
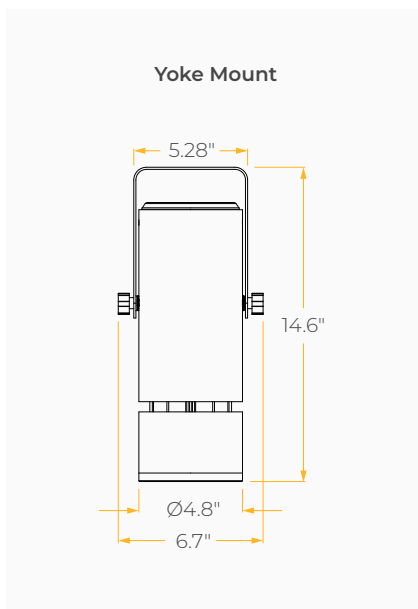
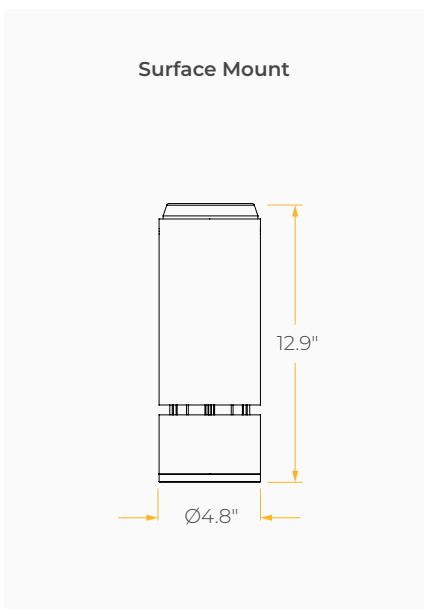
DMX uses a cable consisting of two twisted pairs plus a shield to carry data. The cable must be specifically impedance matched for the digital DMX signal, meaning that microphone cable or other non-rated cable **must not be used to carry DMX**. Network cable (Cat5, 5e or 6 cable) may be used to carry DMX in an installation; however special consideration must be given to shielding and termination. Under no circumstances should solid core cable like Cat5 be terminated into a screw down connector.

Meteor recommends the use of Belden 9729 or Belden 9841 for DMX installation. Belden 9729/9841 is a two pair cable, which allows for a spare pair for 'out and back' type terminations if needed.

RIM FINISH

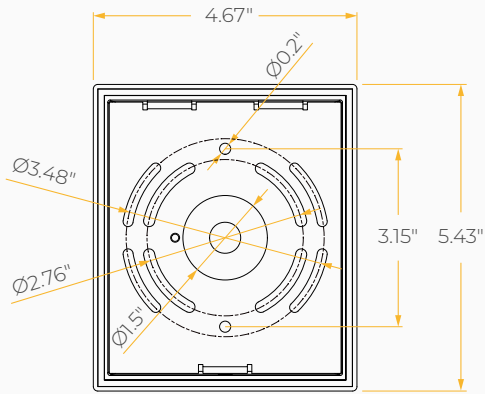


DIMENSIONS

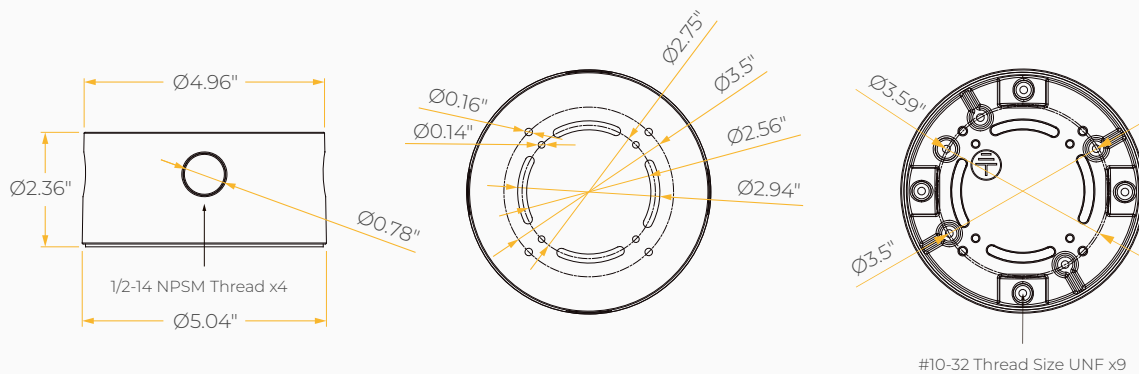


DIMENSIONS

Wall Mount



Conduit Mount



MOUNTING OPTIONS*

*Junction box not included

