

# REV FLEX 6

SPECIFICATION SHEET  
STATIC WHITE

## REVOLUTIONARY ADJUSTABLE DOWNLIGHTS

### Housing

Aperture : Ø5.7" | Height : 8.29" | Weight : 4.4 lbs  
Maximum Ceiling Thickness : 1.38" | Ceiling Cutout : 6"

### Material

Housing : High Pressure Die-Cast Aluminum  
Optics : Aluminum Reflector

### Power Input

30W, 45W, 60W | 120V, 277V

### Lumen Output

2,200 lm (30W), 3,060 lm (45W), 4,590 lm (60W)

### Dimming

Superior 0-10V : dims to 1%, dims to dark  
TRC : Line-voltage phase control, dims to 1%  
DMX : High resolution dims to 0.1%  
DALI : Logarithmic dims to 1%

### Color Quality

CRI 85, CRI 93

### Rated Life

> 100,000 Hours (L70)

### Bezel Finish



Matte  
Black



Matte  
White



Matte  
Silver

### Trim Finish



Matte  
Black



Matte  
White

### Color Temperature



2700K



3000K



3500K



4000K

### Optics



20°



35°



50°

### Adjustability



0°-30°  
Tilt



0°-359°  
Rotation

### Warranty

5 Year limited warranty

### Listing



## Quiet . Adjustable. Color Changing.

The new REV Flex series is an extension of Meteor's revolutionary downlights with an adjustable factor. Coming in a range of 2", 4" and 6" apertures. The REV Flex series feature 359° rotation, 30° tilt, and a variety of architectural illumination options.

All REV Flex configurations are Title 24 listed, and compatible with our proprietary high efficacy Archi-Color® color changing technology W+RGB. Also features built-in Flicker-Free video recording with our VX™ Driver.



# METEOR

[meteor-lighting.com](https://meteor-lighting.com)

**SPECIFICATION**

PROJECT NAME

DATE

CATALOG #

QUANTITY

The product configurator function on this page works only with the latest version of Chrome or Adobe Acrobat Reader.

<input type="text"/>	MODEL	<b>RF6N</b> REV Flex 6 New Construction	<b>RF6R</b> REV Flex 6 Retrofit	
<input type="text"/>	WATTAGE	<b>30</b> 30W	<b>45</b> 45W	<b>60<sup>1,2</sup></b> 60W
<input type="text"/>	BEZEL TYPE	<b>A</b> Adjustable Bezel	<b>F<sup>3</sup></b> Fixed Cut-off Bezel	<b>W<sup>4</sup></b> Wallwash Bezel
<input type="text"/>	CCT / CRI	<b>278</b> 2700K / CRI 85 <b>309</b> 3000K / CRI 93 <b>408</b> 4000K / CRI 85	<b>279</b> 2700K / CRI 93 <b>358</b> 3500K / CRI 85 <b>409</b> 4000K / CRI 93	<b>308</b> 3000K / CRI 85 <b>359</b> 3500K / CRI 93
<input type="text"/>	VOLTAGE	<b>120</b> 120V	<b>277</b> 277V	
<input type="text"/>	DIMMING	<b>NOD</b> Non-Dimming <b>DMXP</b> DMX dims to 0.1% (Phoenix Connector)	<b>SPV</b> Superior 0-10V dims to 1%, dims to dark <b>DMXR</b> DMX dims to 0.1% (RJ45 Sockets)	<b>TRC<sup>5</sup></b> Line-voltage phase control, dims to 1% <b>DALI</b> DALI dims to 1%
<input type="text"/>	TRIM TYPE	<b>R</b> Round <b>SF<sup>6</sup></b> Square Flangeless	<b>S</b> Square	<b>RF<sup>6</sup></b> Round Flangeless
<input type="text"/>	TRIM FINISH	<b>BLK</b> Matte Black	<b>WHT</b> Matte White	
<input type="text"/>	BEZEL FINISH	<b>BLK</b> Matte Black	<b>WHT</b> Matte White	<b>SLV</b> Matte Silver
<input type="text"/>	BEAM ANGLE	<b>20</b> 20°	<b>35</b> 35°	<b>50</b> 50°
<input type="text"/>	ACCESSORIES	<b>HC<sup>7</sup></b> Hex Cell Louver	<b>GR8<sup>8</sup></b> Goof Ring 8"	

CLEAR FORM

<sup>1</sup> 60W cannot be dimmed to off when used with SPV dimming  
<sup>2</sup> 60W is not compatible with TRC, DALI, 20°  
<sup>3</sup> Fixed Cut-off Bezel is not compatible with 60W, HC  
<sup>4</sup> Wallwash bezel are always silver in color and only compatible with 50°  
<sup>5</sup> TRC must be specified with 120V  
<sup>6</sup> Flangeless trims are always white in color  
<sup>7</sup> HC option reduces delivered lumens by ~25%, and HC is not compatible with 60W  
<sup>8</sup> GR8 is not compatible with RF6N, S, SF

## TECHNICAL DETAILS

### Electrical

- 2,200 lm (30W), 3,060 lm (45W), 4,590 lm (60W)
- Power Input : 120V or 277V
- Operating Temperature : 14°F~104°F

### LED Features

- Color Temperature : 2700K, 3000K, 3500K, 4000K
- CRI 85, CRI 93
- Long lasting LED luminaire tested under TM21 lumen maintenance L70 @ 100,000 Hrs

### Optics

- Precision molded high transmittance clear PC lens
- Beam Angle : 20°, 35°, 50°

### Advanced Dimming

- Proprietary VX Driver™ is integrated across all dimming options, delivering video flicker-free performance and full compliance with IEEE 1789.
- Superior 0-10V : dims to 1%, dims to dark
- TRC : Line-voltage phase control, dims to 1% (120V only)
- DMX : High resolution dims to 0.1% (Supports ANSI E1.20 RDM protocol)
- DALI : Logarithmic dims to 1%

### Housing

- Aperture : Ø5.7"
- Height : 7.5"(30W,45W), 7.92"(60W), 8.29"(60W Fixed Cut-of Bezel)
- Weight : 4.9 lbs (New Construction), 4.4 lbs (Retrofit)
- Ceiling Cutout : 6.1" (New Construction), 6" (Retrofit), 6.3" (Flangeless)
- Maximum Ceiling Thickness : 1.38"
- Material : High Pressure Die-Cast Aluminum, Glass, Aluminum Reflector
- Non-IC Rated, insulation must be kept >1ft from housing
- Light engine, optics, and driver(s) accessible from below ceiling
- For flangeless installations, driver must be remote-mounted in an accessible ceiling cavity.

\*Note : C-Channel / Mounting Channels / T-Bar Hangers are purchased from a third party

### Warranty

- 5-year limited warranty

### Listing

- ETL
- CE
- FCC
- JA8 Title 24 Compliant

## PERFORMANCE SUMMARY\*

	Delivered Lumens			
CCT/WATTAGE	2700K	3000K	3500K	4000K
30W	1,940lm	2,050lm	2,120lm	2,200lm
45W	2,680lm	2,830lm	2,940lm	3,060lm
60W	4,020lm	4,240lm	4,420lm	4,590lm

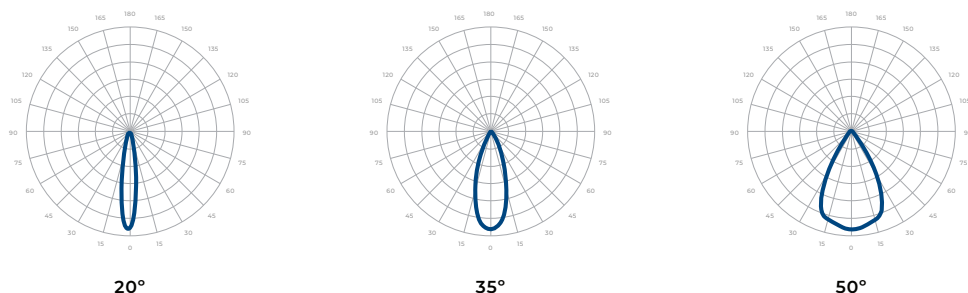
	Current Consumption	
WATTAGE / VOLT	120V	277V
30W	0.25A	0.11A
40W	0.36A	0.16A
60W	0.5A	0.21A

\*Beam Angle: 50° \*Tolerance ±8%

\*For specifications requiring a CRI of 93, apply a 0.75 multiplier to the lumen output values listed.

## PHOTOMETRICS

Below is a typical photometric representation of the Rev Flex 6 fixture. Please download IES files to ensure exact photometric value.

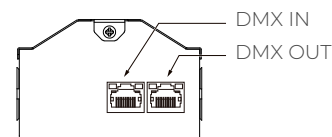


## DMX REQUIREMENTS

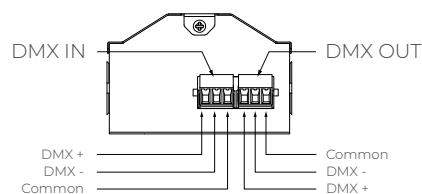
The REV Flex 6 fixture with DMX is a **single channel dmx** unit. When placing an order, please indicate DMX address. (The DMX address will be listed on the back of the fixture). Do not connect more than 32 fixtures per DMX daisy chain.

The fixture can be connected with RJ45 Socket or Phoenix Connector. DMX cables **are not** included; please refer to compatible DMX cabling list for more information. The final fixture on each daisy chain should be terminated by the use of a DMX terminator purchased from a 3rd party or from Meteor.

CONNECTION	RJ45 (CAT5e)
Common	WHITE/BROWN(PIN7) & BROWN (PIN 8)
Signal -	ORANGE (PIN 2)
Signal +	WHITE/ORANGE (PIN 1)
Spare	-
Spare	-



**RJ45 Sockets**



**Phoenix Connector**

## COMPATIBLE DMX CABLING LIST

DMX uses a cable consisting of two twisted pairs plus a shield to carry data. The cable must be specifically impedance matched for the digital DMX signal, meaning that microphone cable or other non-rated cable **must not be used to carry DMX**. Network cable (Cat5, 5e or 6 cable) may be used to carry DMX in an installation; however special consideration must be given to shielding and termination. Under no circumstances should solid core cable like Cat5 be terminated into a screw down connector.

Meteor recommends the use of Belden 9729 or Belden 9841 for DMX installation. Belden 9729/9841 is a shielded twisted pair cable, which allows for a spare pair for 'out and back' type terminations if needed.

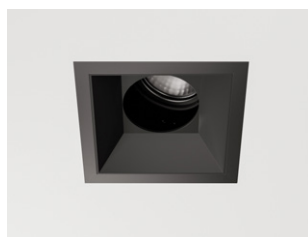
## TRIM TYPES



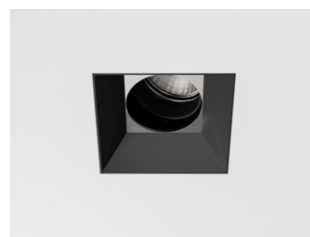
Round Trim



Round Flangeless Trim

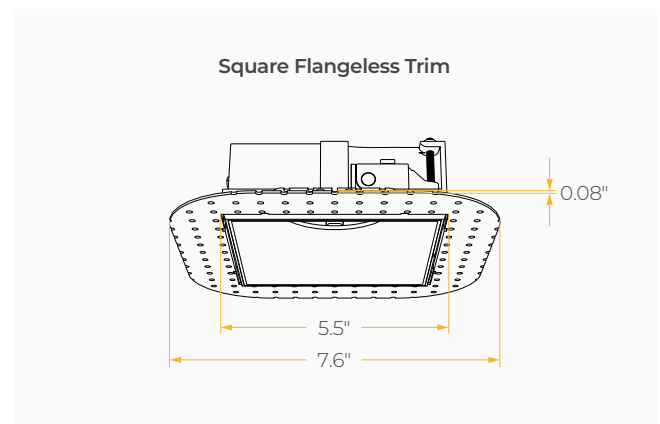
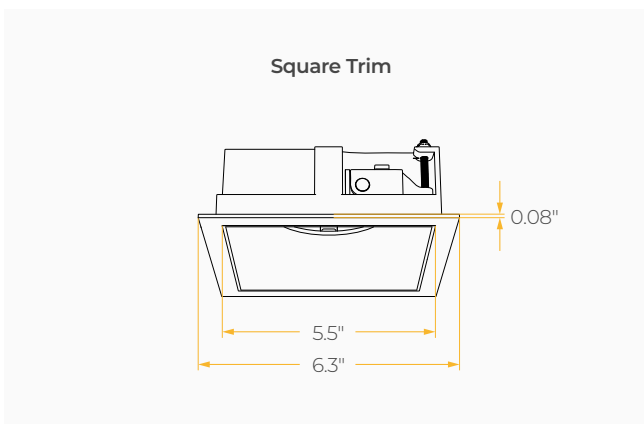
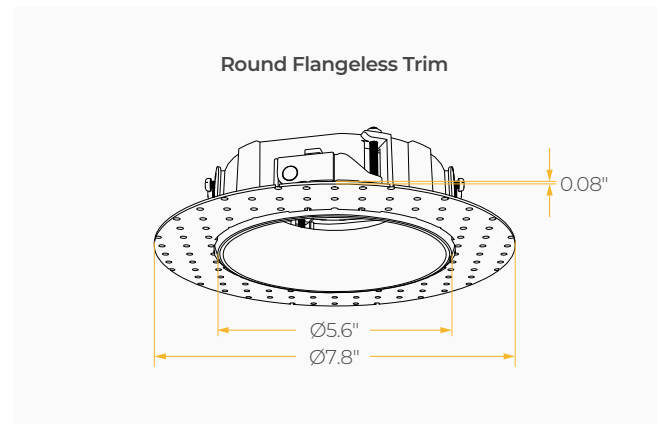
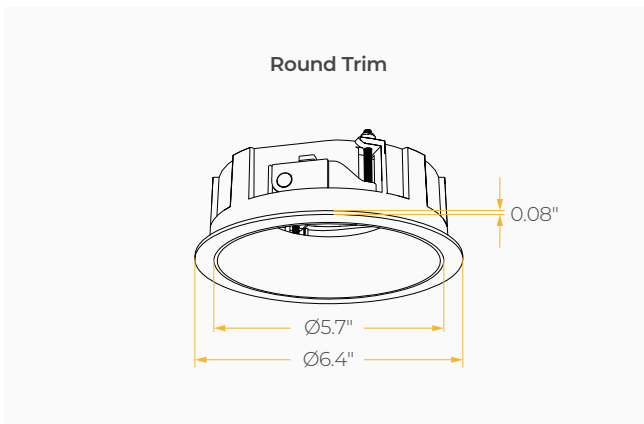
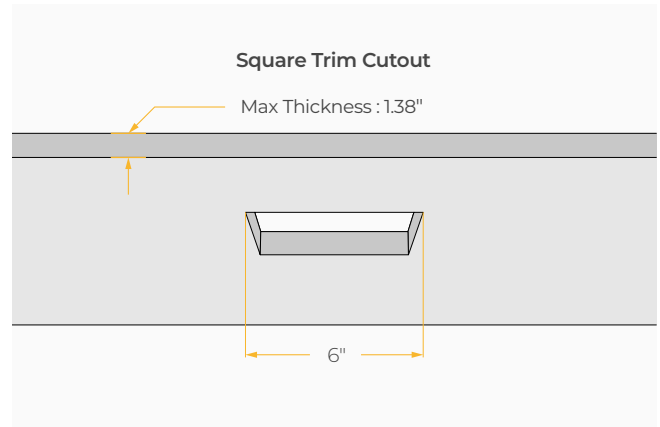
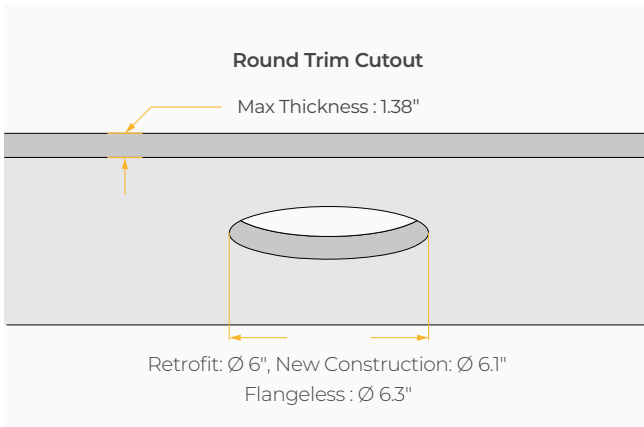


Square Trim



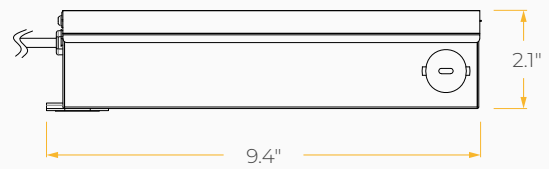
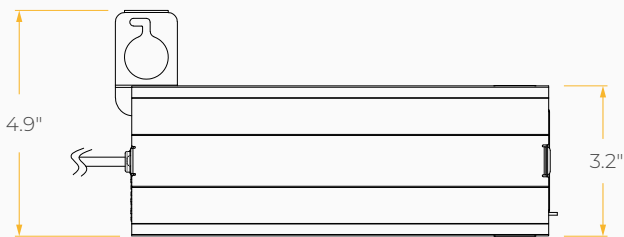
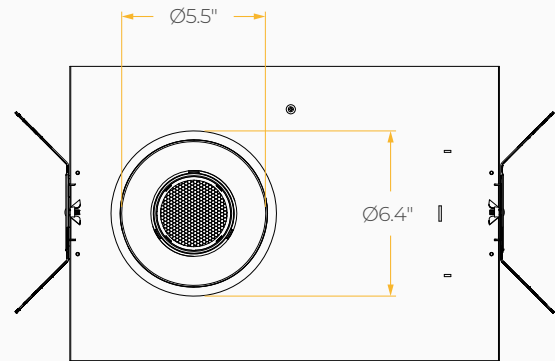
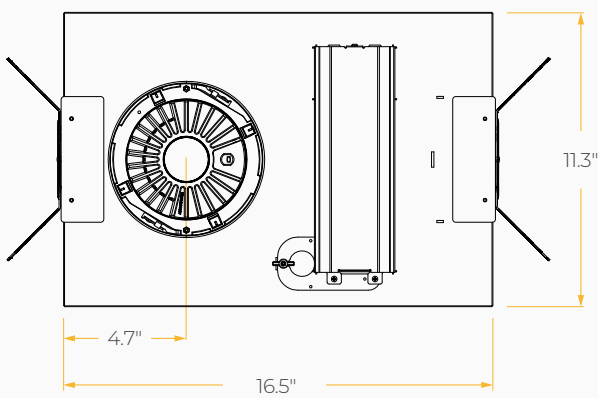
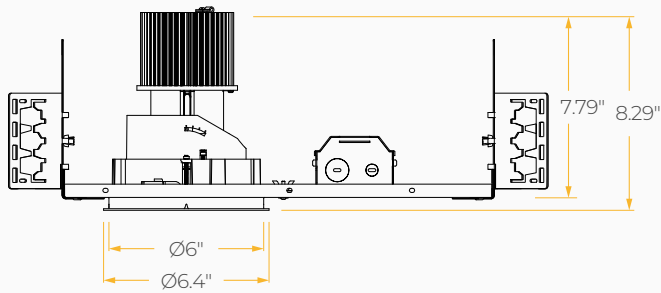
Square Flangeless Trim

**DIMENSIONS**

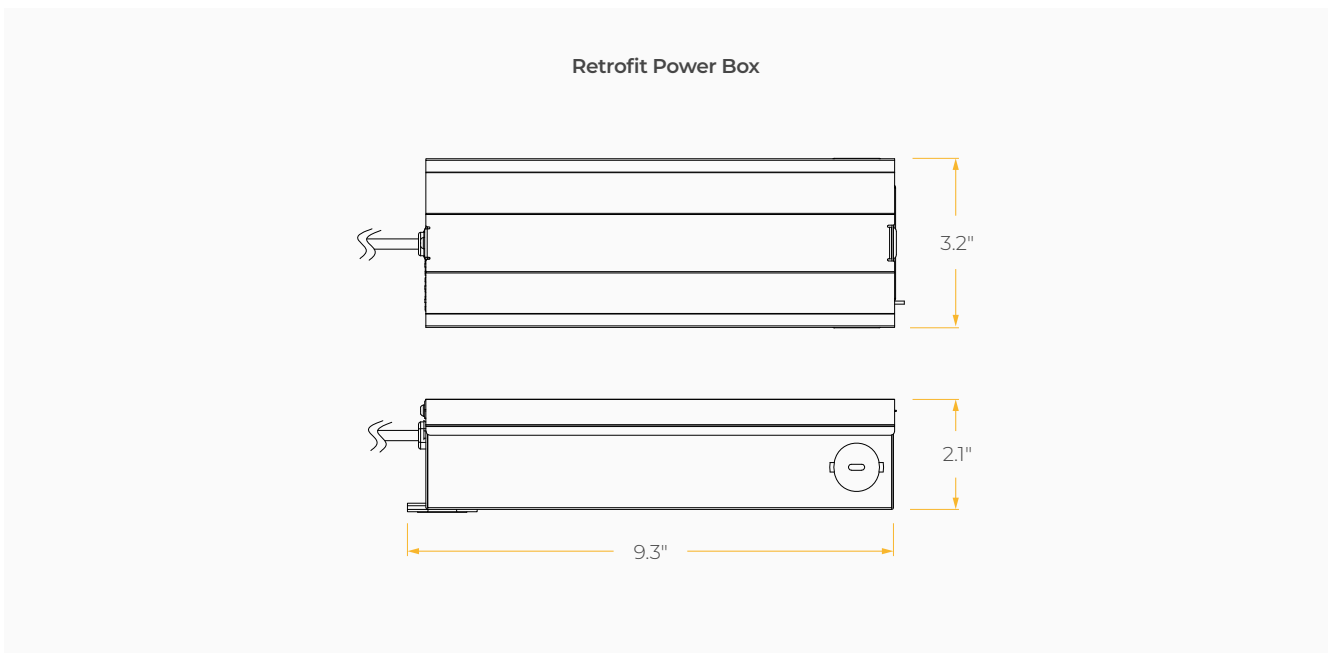
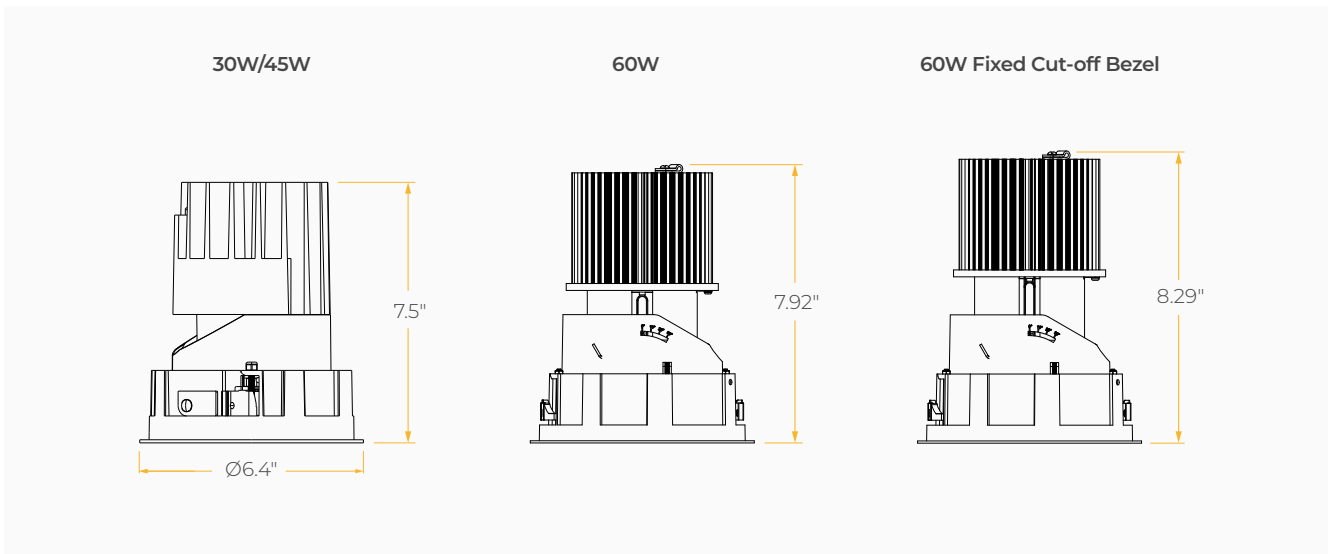


DIMENSIONS

New Construction



**DIMENSIONS**



**DIMENSIONS**

