

RIO 6

BI-DIRECTIONAL CYLINDER

Housing

Diameter : Ø6.38" | Height : 11.8" | Weight : 11.5"

Material

Housing : Extruded Aluminum
Optics : Aluminum Reflector

Power Input

Downlight : 25W, 45W, 70W | 120-277V
Uplight : 25W, 45W | 120-277V

Lumen Output

Downlight : 2,940 lm (25W), 5,285 lm (45W), 8,220 lm (70W)
Uplight : 2,975 lm (25W), 5,355 lm (45W)

Dimming

Standard 0-10V : Dims to 10%
DALI : Dims to 10%

Color Quality

CRI 85, CRI 93 | UGR ≤ 19

Rated Life

> 100,000 Hours (L70)

Finish



Black



White

Color Temperature



2700K



3000K



3500K



4000K

Optics



25°



40°



60°



WIDE

Mounting



Cord
Mount

Warranty

5 Year limited warranty

Listing



SPECIFICATION SHEET STATIC WHITE OUTDOOR

Power and Balance

The Rio Series is a clean, architectural bi-directional cylinder offered in 4" and 6" apertures, designed for spaces where form and performance carry equal weight. Selectable wattage options allow designers to balance uplight and downlight or bias the output downward, with separate dimming control for each channel to fine-tune comfort and visual hierarchy.

With efficacies exceeding 140 lm/W, Rio delivers high output with minimal energy demand. An integrated suspension and power cable keeps the profile uncluttered and installation straightforward. An outdoor-rated option is available for cohesive indoor-to-outdoor design continuity.



RIO 6 BI-DIRECTIONAL
CYLINDER**TECHNICAL DETAILS**

Electrical

- Downlight : 2,940 lm (25W), 5,285 lm (45W), 8,220 lm (70W)
- Uplight : 2,975 lm (25W), 5,355 lm (45W)
- Power Input : Universal (120-277V)
- Operating Temperature : -13°F~104°F
- Surge Protection : Built-in is 2.5KV
- Power Factor Greater than 0.9
- Remote Emergency Pack : Bodine BSL20B2UEK55C111

LED Features

- Color Temperature : 2700K, 3000K, 3500K, 4000K
- CRI 85, CRI 93
- UGR ≤ 19
- Long lasting LED luminaire tested under TM21 lumen maintenance L70 @ 100,000 Hrs

Optics

- Aluminum Reflector
- Beam Angle : 25°, 40°, 60°, WD

Advanced Dimming

- Proprietary VX Driver™ is integrated across all dimming options, delivering video flicker-free performance and full compliance with IEEE 1789.
- Standard 0-10V : Dims to 10%
Single Dimming (Controls Up/Down Together)
Dual Dimming (Controls Up/Down Separately)
- DALI : Dims to 10%
Dual Dimming (Controls Up/Down Separately)

Housing

- Diameter : Ø6.38"
- Height : 11.8"
- Canopy : 7.3" x 3.55"
- Material : Extruded Aluminum
- Weight : 11.5"

Mounting

- Thin Cord Mount 2ft, 4ft, 6ft, 8ft, 10ft

Warranty

- 5-year limited warranty

Listing

- ETL Wet Location Listed
- CE
- FCC
- IP65 Rated

PERFORMANCE SUMMARY*

Delivered Lumens						
TOTAL WATTAGE	Uplight Wattage	Downlight Wattage	2700K	3000K	3500K	4000K
50W	25W	25W	2,725 / 2,690lm	2,895 / 2,855lm	2,960 / 2,920lm	2,975 / 2,940lm
70W	25W	45W	2,725 / 4,840lm	2,895 / 5,140lm	2,960 / 5,255lm	2,975 / 5,285lm
90W	45W	45W	4,910 / 4,840lm	5,205 / 5,140lm	5,330 / 5,255lm	5,355 / 5,285lm
95W	25W	70W	2,725 / 7,530lm	2,895 / 7,990lm	2,960 / 8,175lm	2,975 / 8,220lm

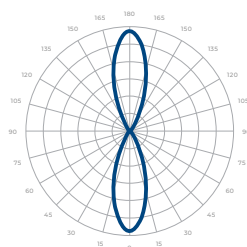
*Tolerance ±8%

* For specifications requiring a CRI of 93, apply a 0.75 multiplier to the lumen output values listed.

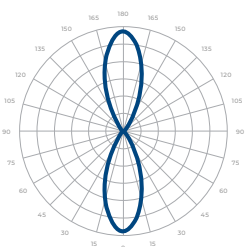
Current Consumption		
WATTAGE / VOLT	120V	277V
50W	0.46A	0.20A
70W	0.64A	0.28A
90W	0.83A	0.36A
95W	0.87A	0.38A

PHOTOMETRICS

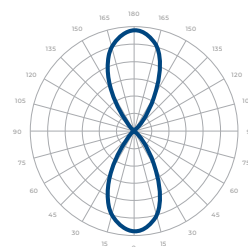
Below is a typical photometric representation of the Duo 6 fixture. Please download IES files to ensure exact photometric value.



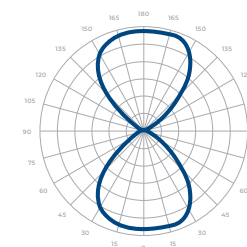
25°



40°

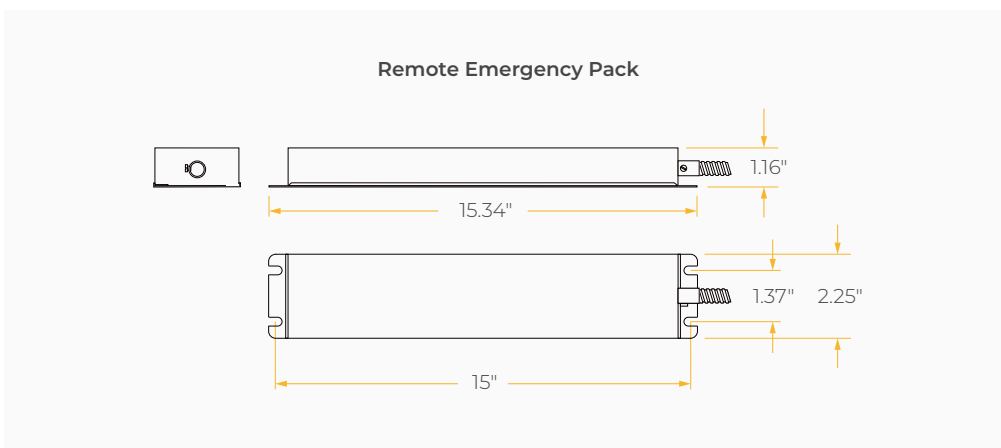
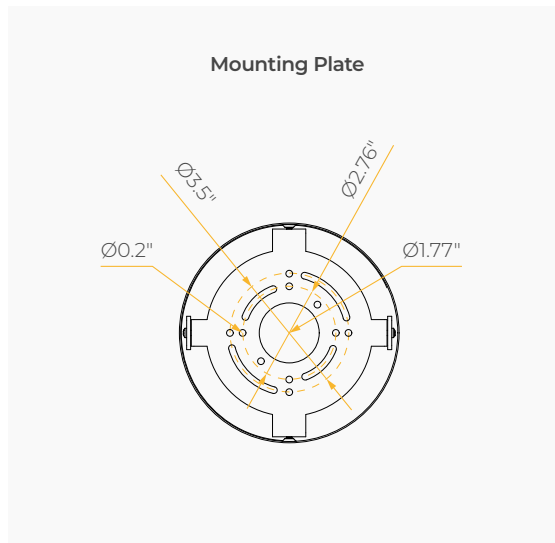
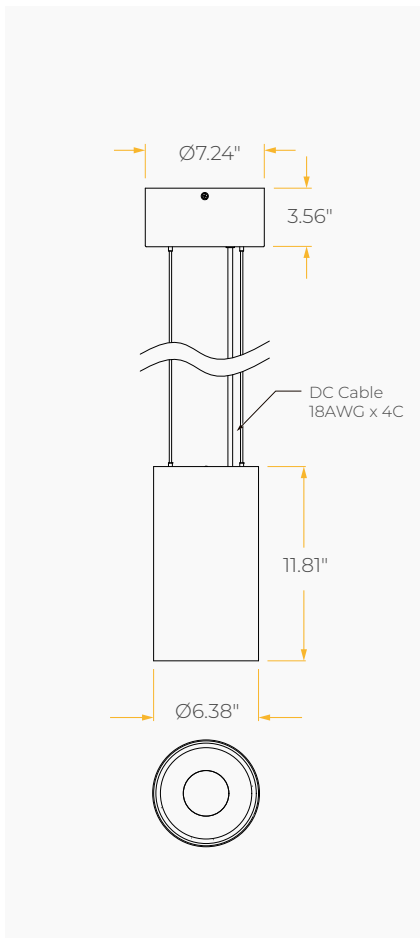


60°



WIDE

DIMENSIONS



MOUNTING OPTIONS*

*Junction box not included

