

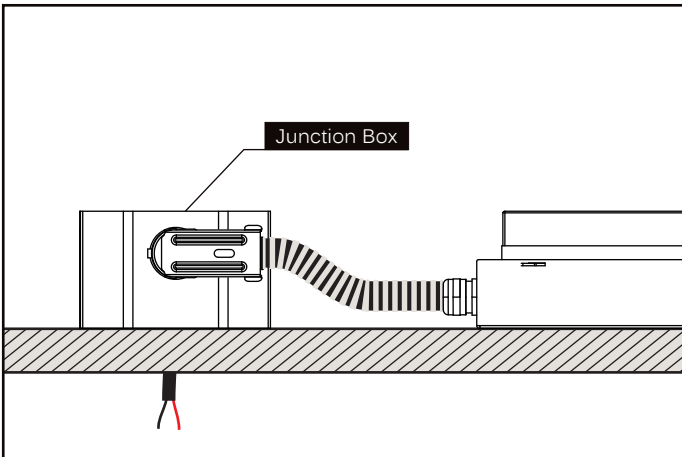
ADVANCED HIGH CEILING DOT - Power Line Mount



IMPORTANT SAFETY INFORMATION. READ AND FOLLOW ALL SAFETY INSTRUCTIONS

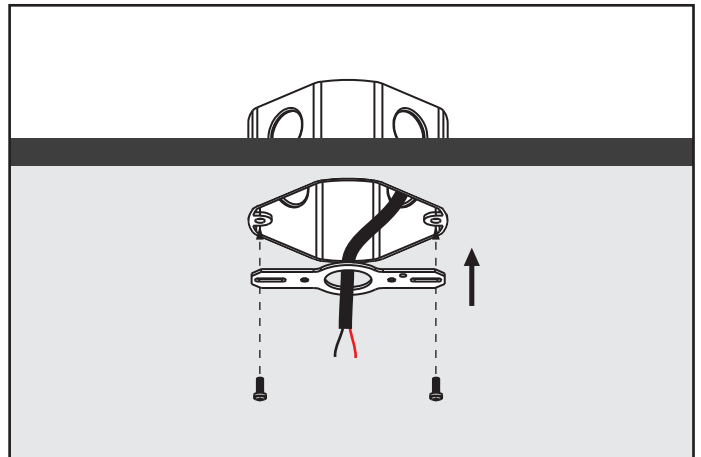
IMPORTANT SAFETY INFORMATION. READ AND FOLLOW ALL SAFETY INSTRUCTIONS. Before wiring to power supply and during servicing or relamping, turn off power at fuse or circuit breaker. All servicing or relamping must be performed by qualified service personnel. Product must be grounded to avoid potential electric shock or other potential hazard. Product must be at locations and at heights and in a manner consistent with its intended use, and in compliance with Electrical Code and local codes.

SAVE THESE INSTRUCTIONS FOR FUTURE REFERENCE.



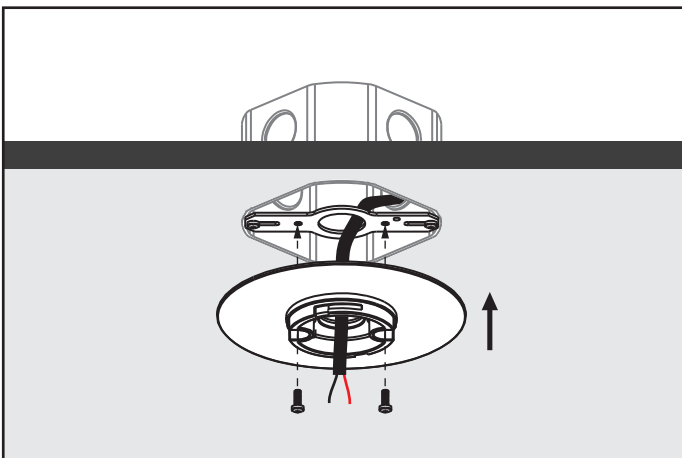
Step 1

Connect remote power to junction box.



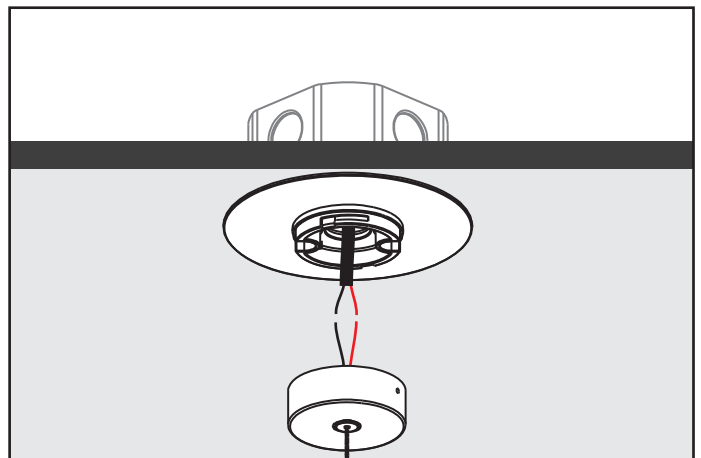
Step 2

Screw in the mounting bracket on the junction box using 2 screws.



Step 3

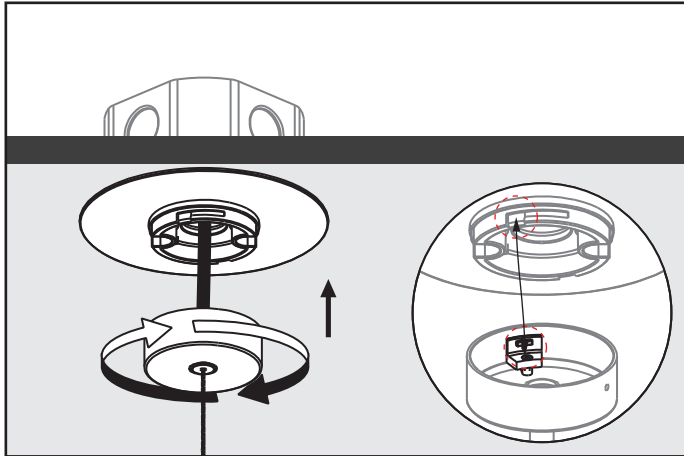
Screw the powerline plate onto the bracket in the two holes indicated.



Step 4

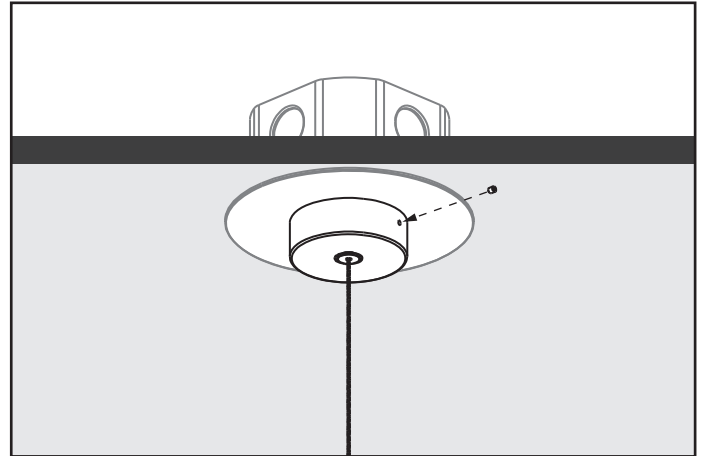
Make a connection to the junction box, referring to the wiring diagram.

ADVANCED HIGH CEILING DOT - Power Line Mount



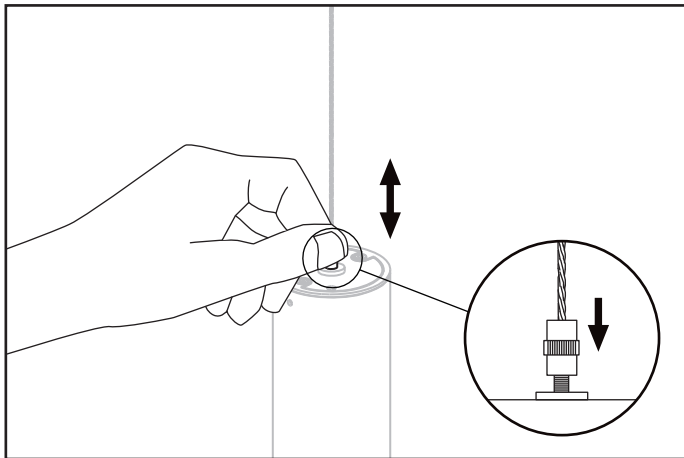
Step 5

Align the powerline canopy to the powerline plate by matching the U-shaped openings.



Step 6

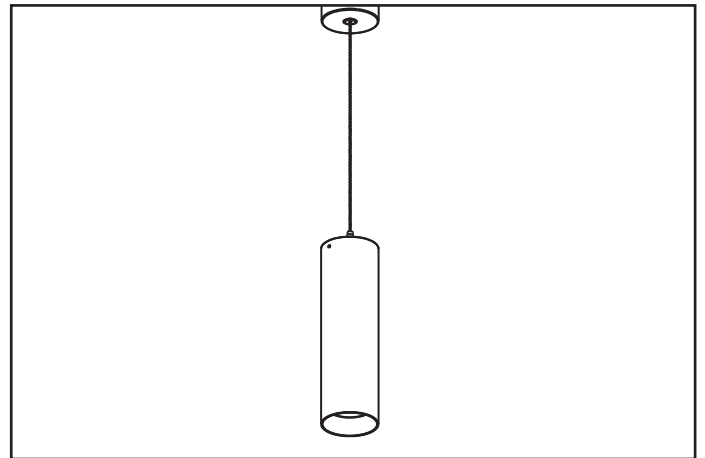
Screw in 1 Hex screw to complete installation.



Step 7

To adjust the cable gripper, simply turn it clockwise by 2 – 3 rotations. Then push down to unclamp the wire.

Note: You can also simply push the wire down to raise the fixture or push down the gripper to lower the fixture. Maximum retractable length is 1 ft.



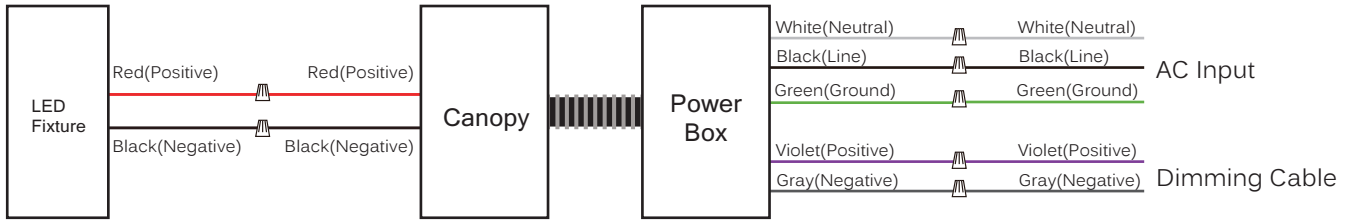
Step 8

Fixture installation complete.

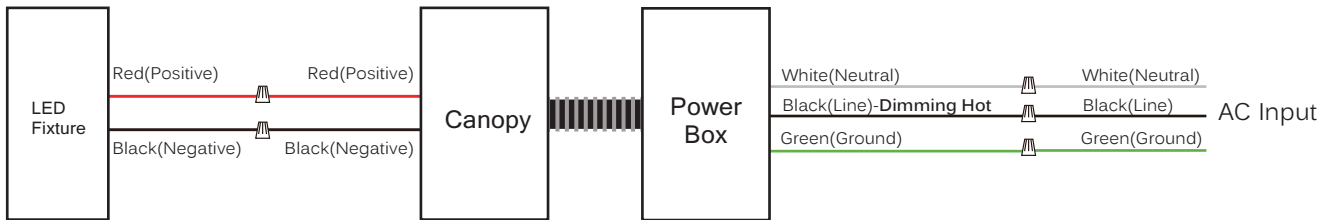
ADVANCED HIGH CEILING DOT - Power Line Mount

Wiring Diagram

0-10V / Superior 0-10V



TRIAC



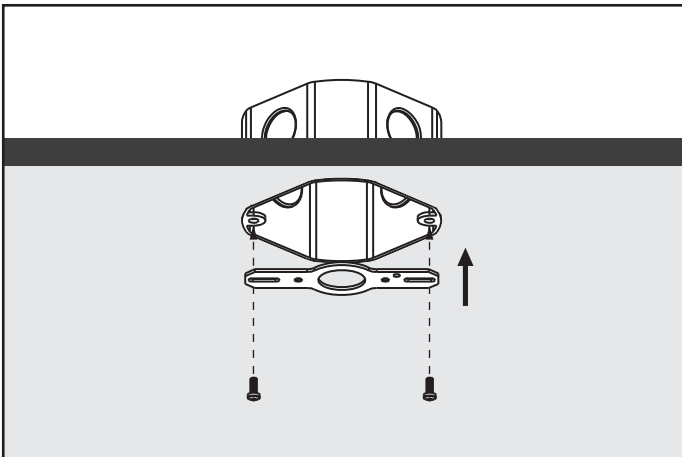
ADVANCED HIGH CEILING DOT - Stem



IMPORTANT SAFETY INFORMATION. READ AND FOLLOW ALL SAFETY INSTRUCTIONS

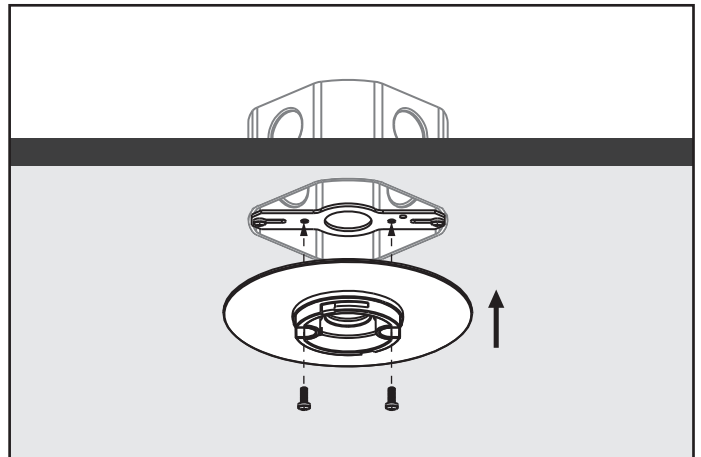
IMPORTANT SAFETY INFORMATION. READ AND FOLLOW ALL SAFETY INSTRUCTIONS. Before wiring to power supply and during servicing or relamping, turn off power at fuse or circuit breaker. All servicing or relamping must be performed by qualified service personnel. Product must be grounded to avoid potential electric shock or other potential hazard. Product must be at locations and at heights and in a manner consistent with its intended use, and in compliance with Electrical Code and local codes.

SAVE THESE INSTRUCTIONS FOR FUTURE REFERENCE.



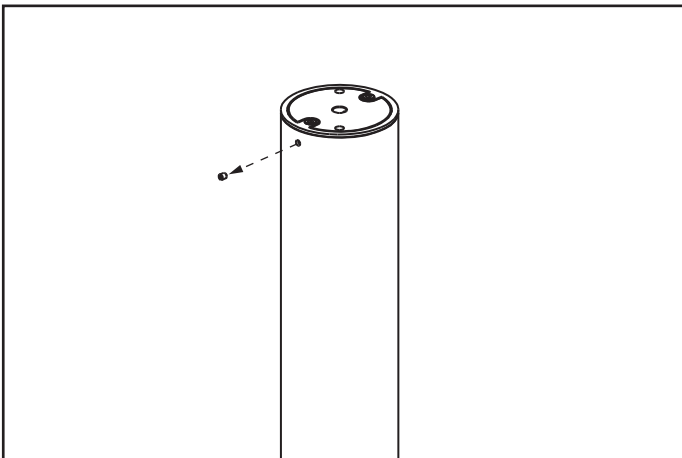
Step 1

Screw in the stem mount bracket on the junction box using 2 screws.



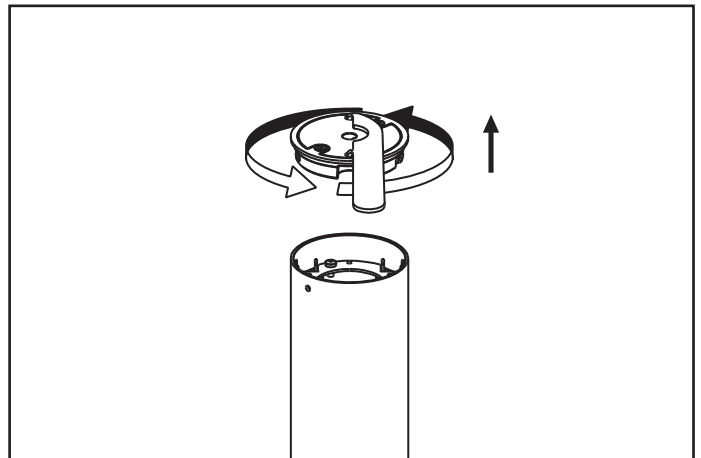
Step 2

Screw the stem mount plate onto the bracket in the two holes indicated.



Step 3

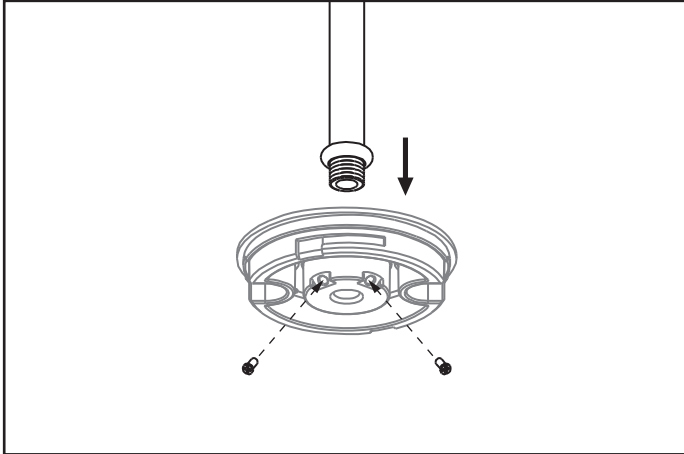
Loosen the hex screw on the side of the fixture.



Step 4

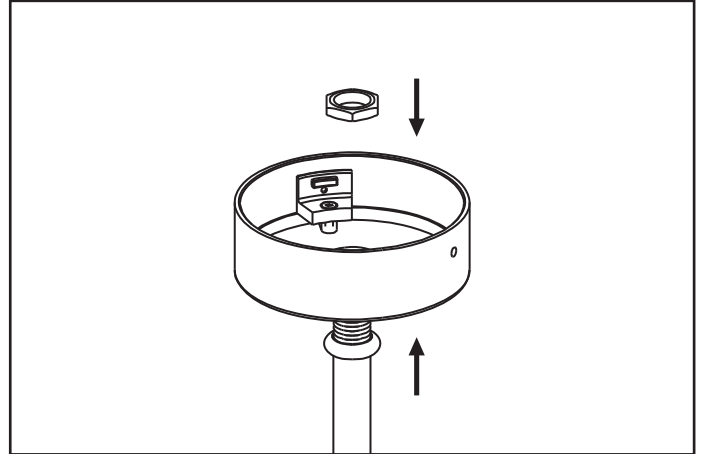
Use the provided tool to open the top fixture plate by turning anti-clockwise.

ADVANCED HIGH CEILING DOT - Stem



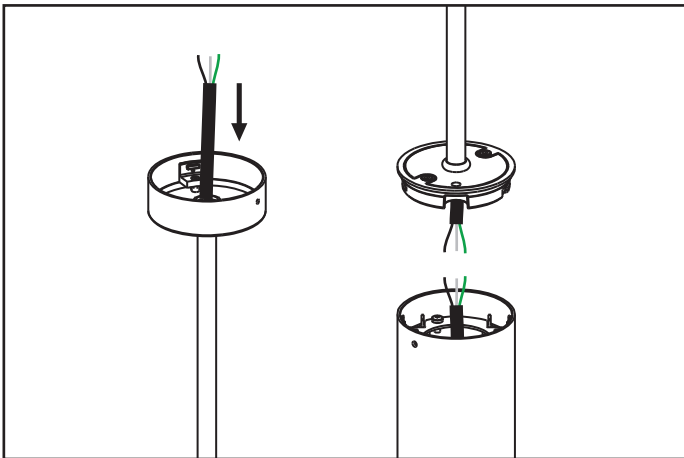
Step 5

Screw in the stem to the top fixture plate and lock it in place by using the 2 screws as indicated.



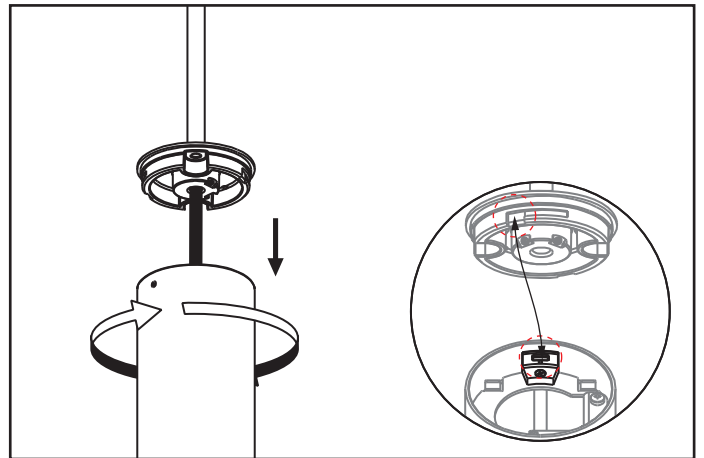
Step 6

Fasten the stem canopy to the stem by using a Hex bolt.



Step 7

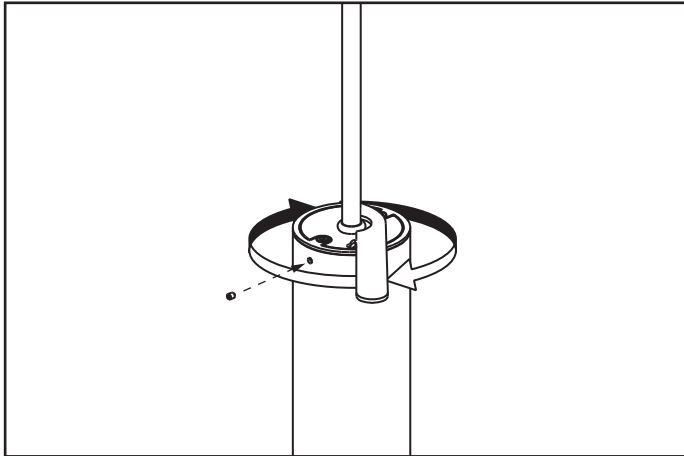
Loop the wire through both ends of the stem, referring to the wiring diagram for connection to the fixture.



Step 8

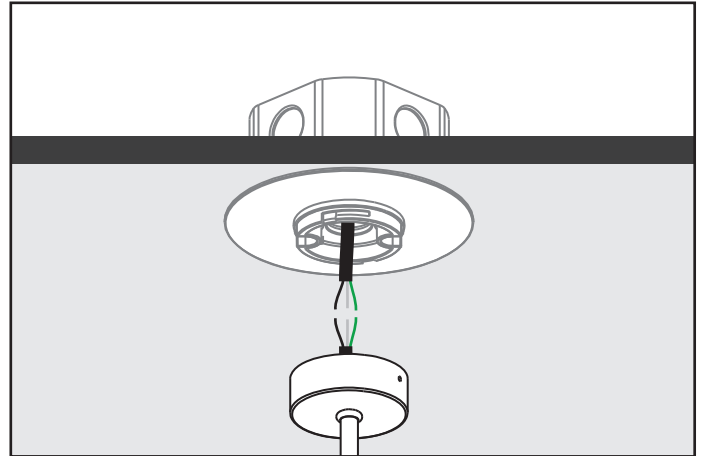
Align the bottom part of the fixture with the stem mount plate by matching the U-shaped openings.

ADVANCED HIGH CEILING DOT - Stem



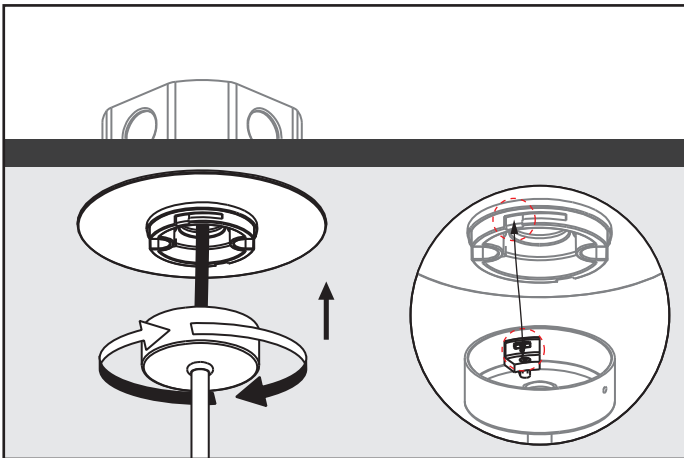
Step 9

Use the tool and tighten clockwise. Screw in 1 Hex screw to the side of the fixture.



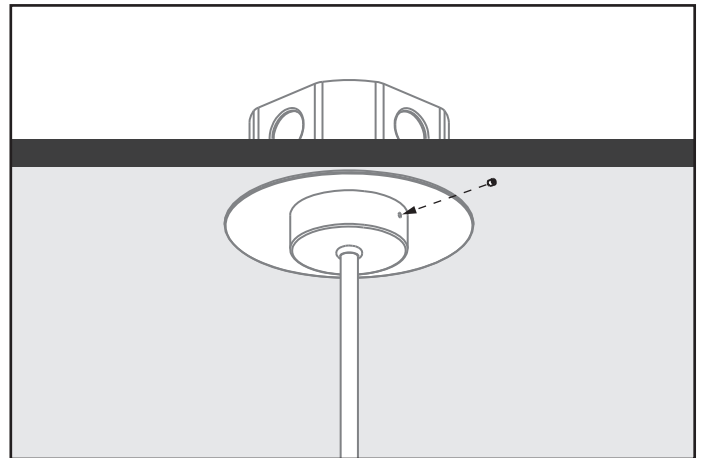
Step 10

Refer to the wiring diagram for connection to the junction box.



Step 11

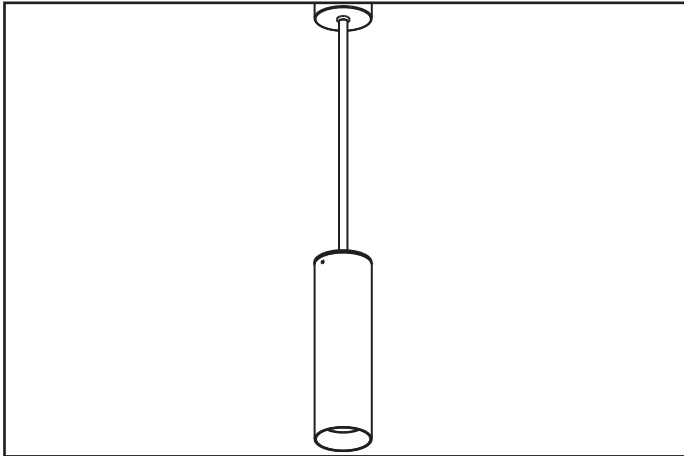
Align the stem canopy cover to the canopy plate by matching the U-shaped openings.



Step 12

Screw in 1 Hex screw to complete installation.

ADVANCED HIGH CEILING DOT - Stem

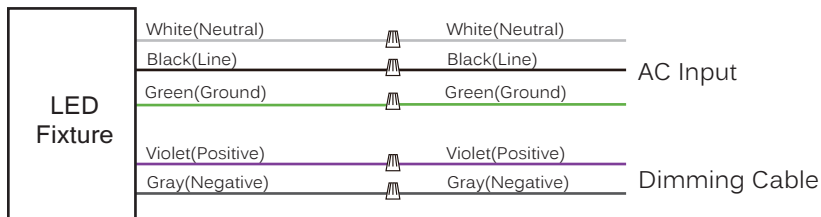


Step 13

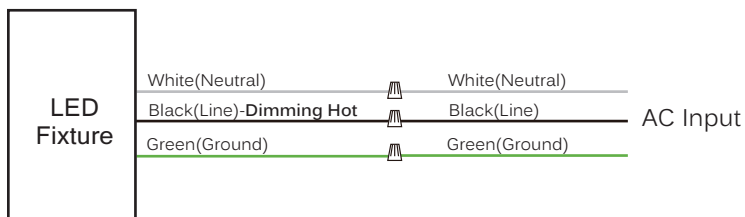
Fixture installation complete.

Wiring Diagram

0-10V / Superior 0-10V



TRIAC



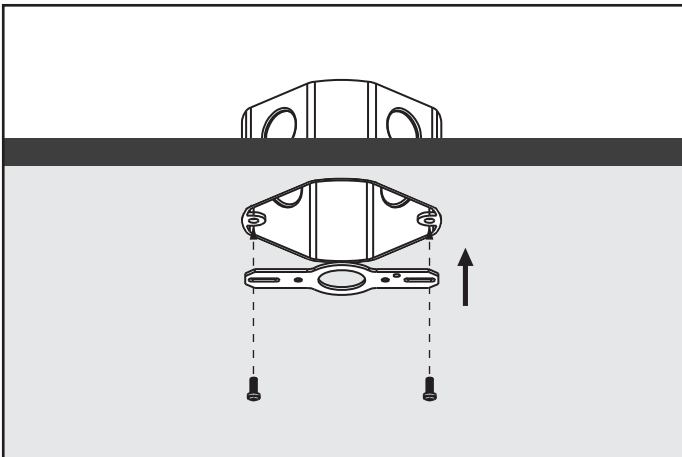
ADVANCED HIGH CEILING DOT - Cord Mount



IMPORTANT SAFETY INFORMATION. READ AND FOLLOW ALL SAFETY INSTRUCTIONS

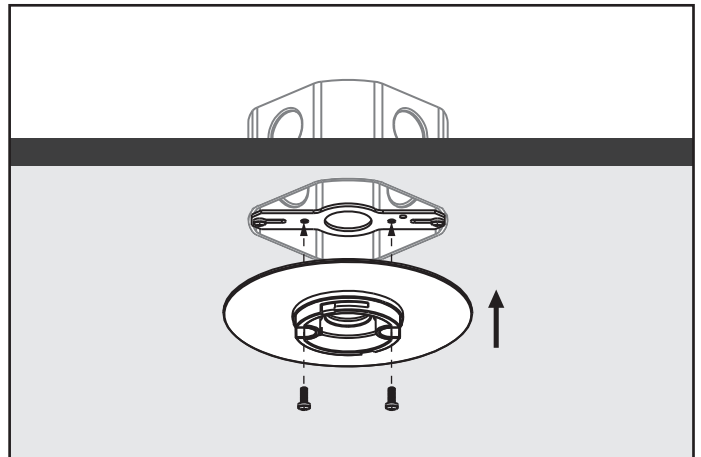
IMPORTANT SAFETY INFORMATION. READ AND FOLLOW ALL SAFETY INSTRUCTIONS. Before wiring to power supply and during servicing or relamping, turn off power at fuse or circuit breaker. All servicing or relamping must be performed by qualified service personnel. Product must be grounded to avoid potential electric shock or other potential hazard. Product must be at locations and at heights and in a manner consistent with its intended use, and in compliance with Electrical Code and local codes.

SAVE THESE INSTRUCTIONS FOR FUTURE REFERENCE.



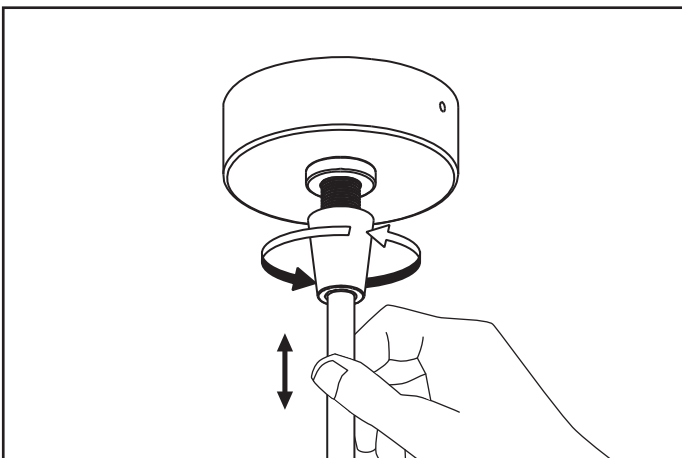
Step 1

Screw in the cord mount bracket on the junction box using 2 screws.



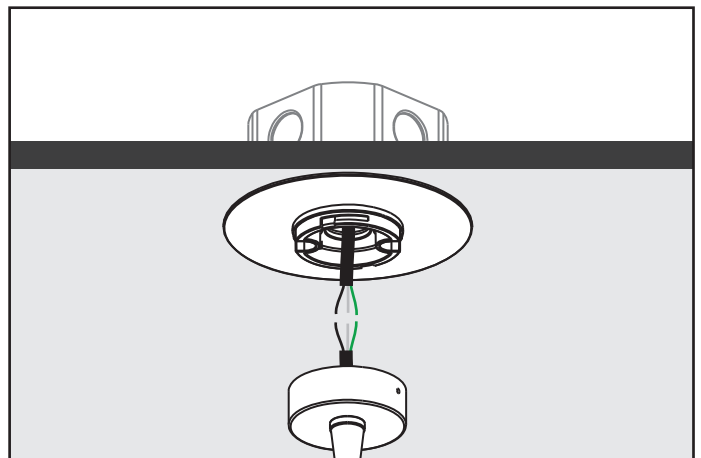
Step 2

Screw the cord mount plate onto the bracket in the two holes indicated.



Step 3

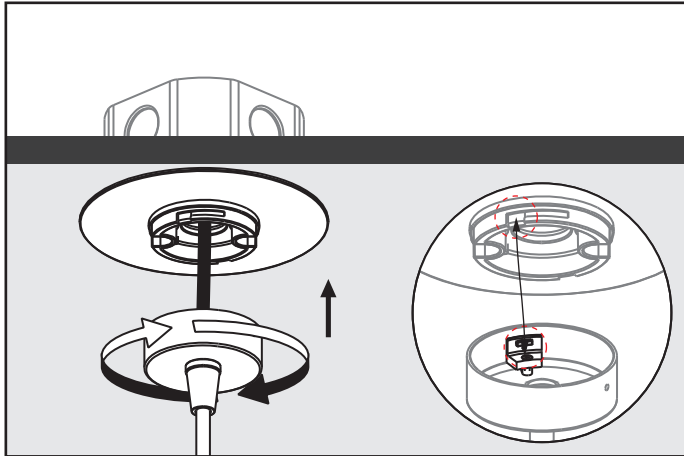
Loosen the cord gripper from the cord mount canopy by turning clockwise and loop through the wire to your desired length. Make sure to tighten once the desired length has been achieved.



Step 4

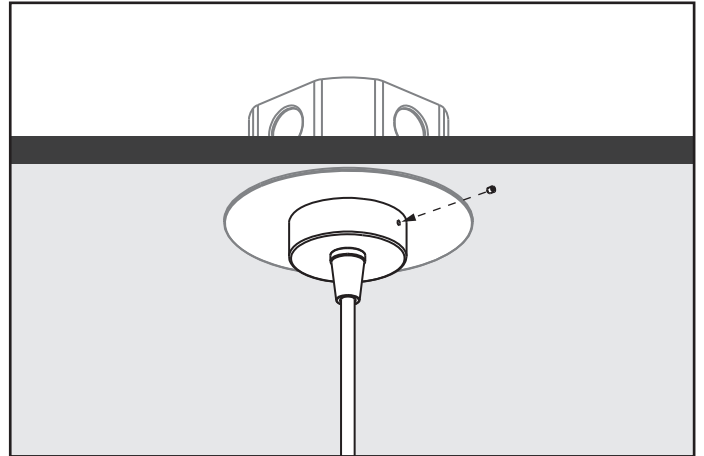
Make a connection to the junction box, referring to the wiring diagram.

ADVANCED HIGH CEILING DOT - Cord Mount



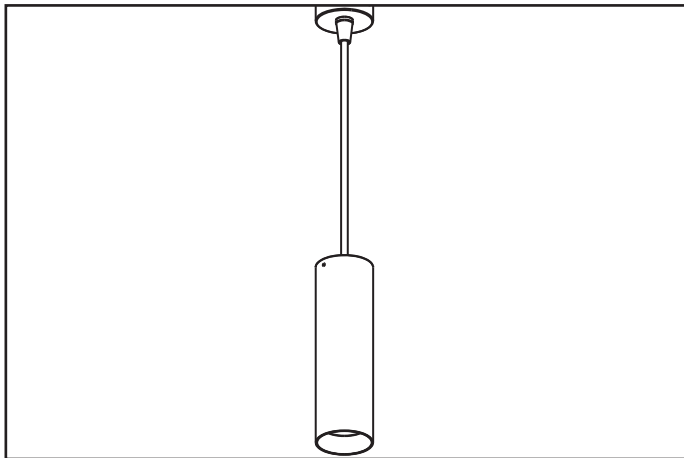
Step 5

Align the cord mount canopy to the cord mount plate by matching the U-shaped openings.



Step 6

Screw in 1 Hex screw to complete installation.



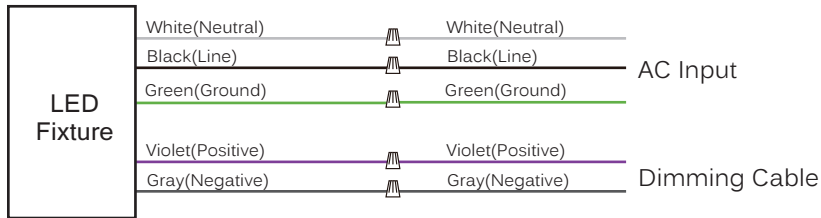
Step 7

Fixture installation complete.

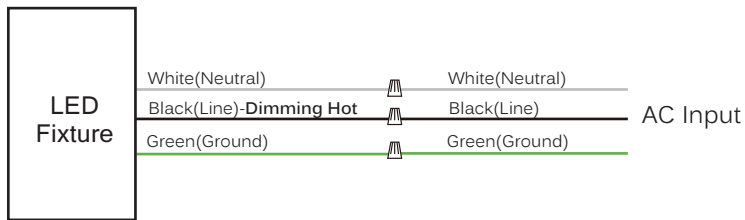
ADVANCED HIGH CEILING DOT - Cord Mount

Wiring Diagram

0-10V / Superior 0-10V



TRIAC



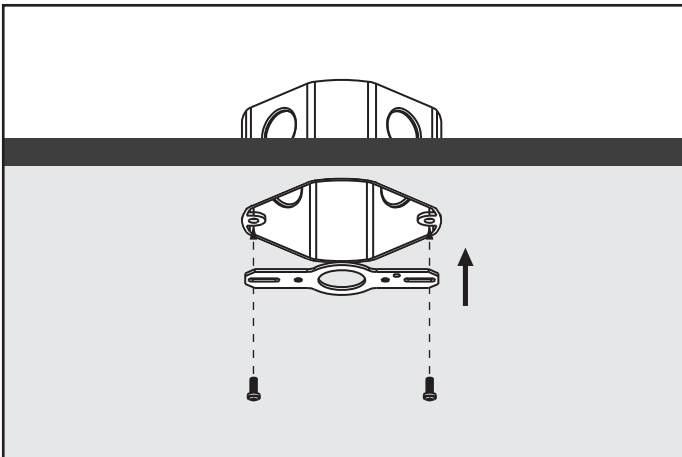
ADVANCED HIGH CEILING DOT - Surface Mount



IMPORTANT SAFETY INFORMATION. READ AND FOLLOW ALL SAFETY INSTRUCTIONS

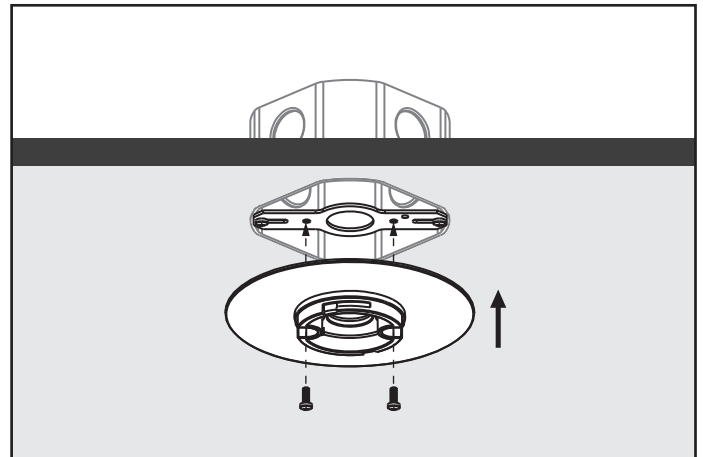
IMPORTANT SAFETY INFORMATION. READ AND FOLLOW ALL SAFETY INSTRUCTIONS. Before wiring to power supply and during servicing or relamping, turn off power at fuse or circuit breaker. All servicing or relamping must be performed by qualified service personnel. Product must be grounded to avoid potential electric shock or other potential hazard. Product must be at locations and at heights and in a manner consistent with its intended use, and in compliance with Electrical Code and local codes.

SAVE THESE INSTRUCTIONS FOR FUTURE REFERENCE.



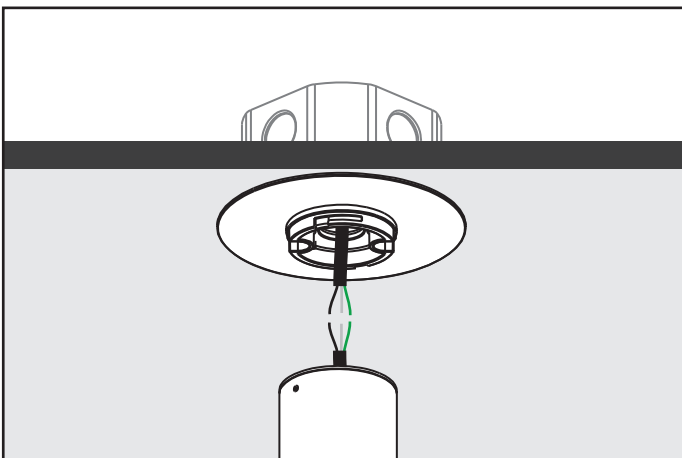
Step 1

Screw in the surface mount bracket on the junction box using 2 screws.



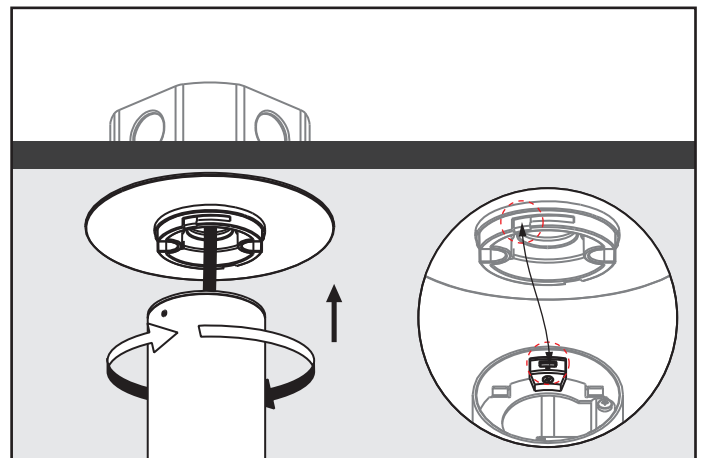
Step 2

Screw the surface mount plate onto the bracket in the two holes indicated.



Step 3

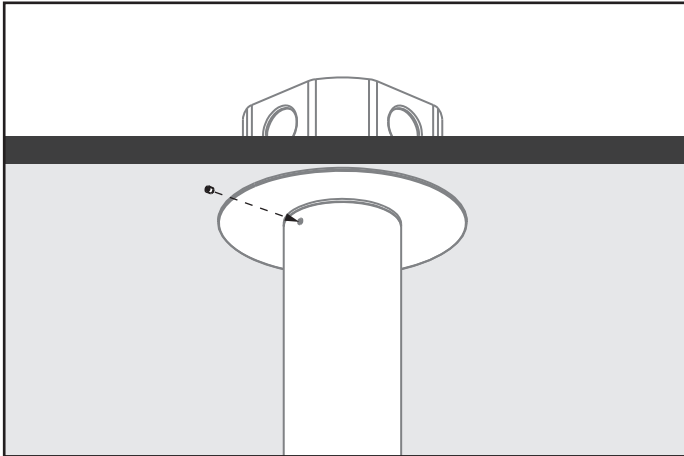
Refer to the wiring diagram for connection to the junction box.



Step 4

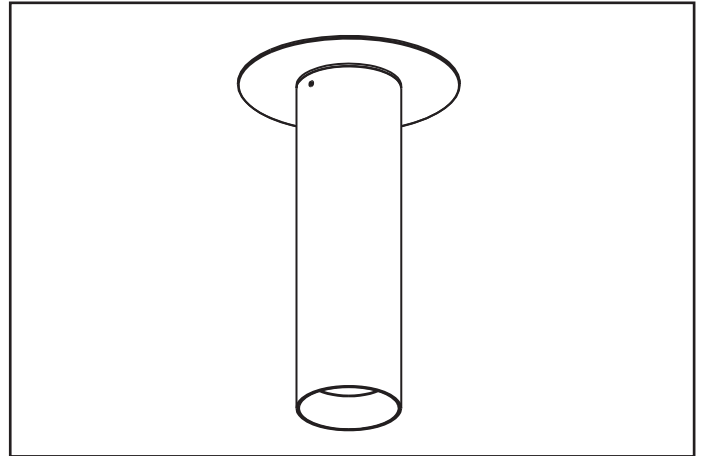
Align the bottom part of the fixture with the surface mount plate by matching the U-shaped openings.

ADVANCED HIGH CEILING DOT - Surface Mount



Step 5

Screw in 1 Hex screw to complete installation.



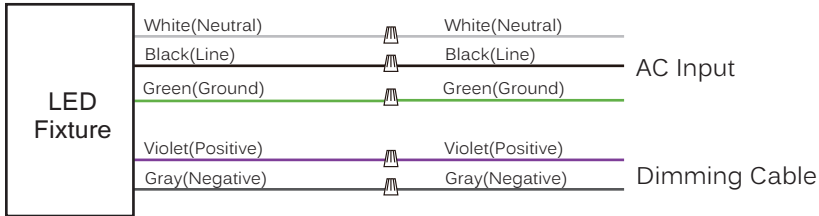
Step 6

Fixture installation complete.

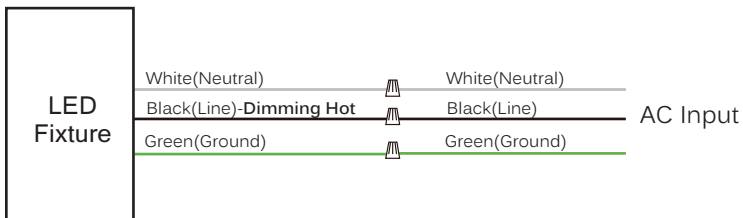
ADVANCED HIGH CEILING DOT - Surface Mount

Wiring Diagram

0-10V / Superior 0-10V



TRIAC



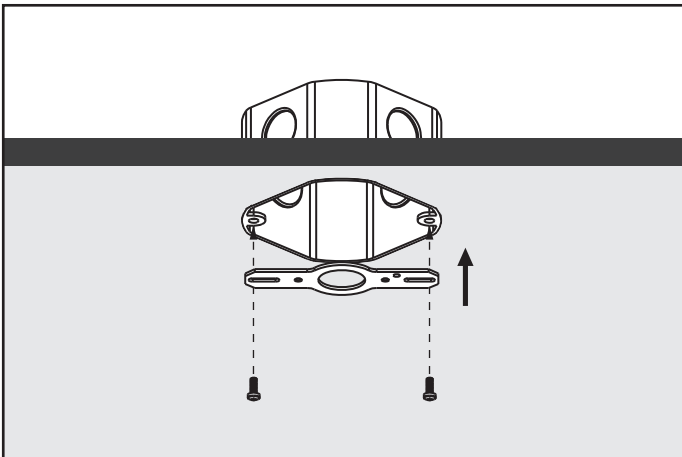
ADVANCED HIGH CEILING DOT - Surface Adjustable Mount



IMPORTANT SAFETY INFORMATION. READ AND FOLLOW ALL SAFETY INSTRUCTIONS

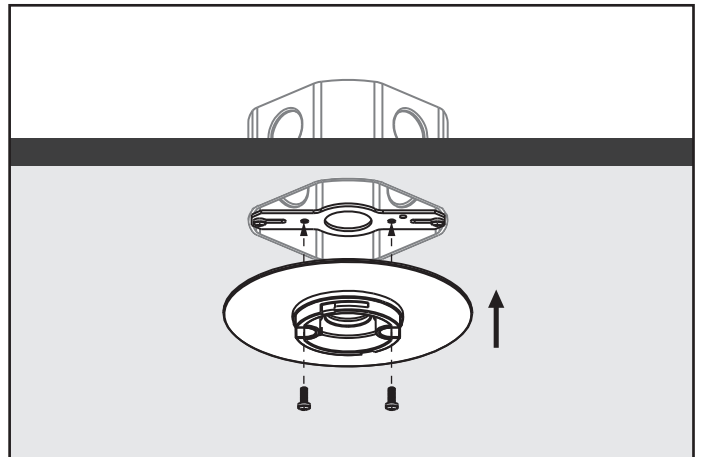
IMPORTANT SAFETY INFORMATION. READ AND FOLLOW ALL SAFETY INSTRUCTIONS. Before wiring to power supply and during servicing or relamping, turn off power at fuse or circuit breaker. All servicing or relamping must be performed by qualified service personnel. Product must be grounded to avoid potential electric shock or other potential hazard. Product must be at locations and at heights and in a manner consistent with its intended use, and in compliance with Electrical Code and local codes.

SAVE THESE INSTRUCTIONS FOR FUTURE REFERENCE.



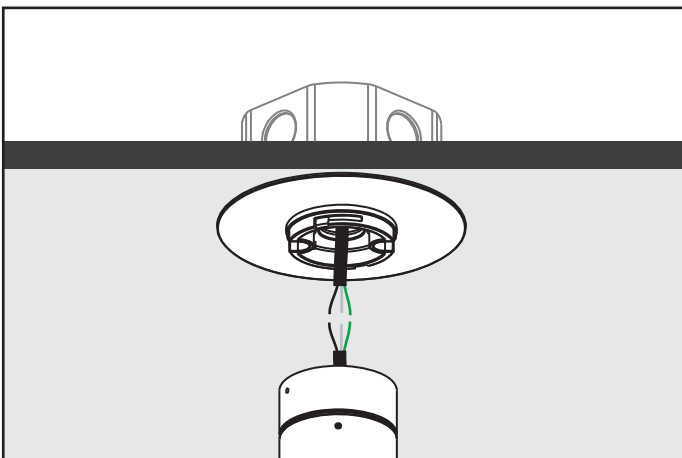
Step 1

Screw in the surface adjustable mount bracket on the junction box using 2 screws.



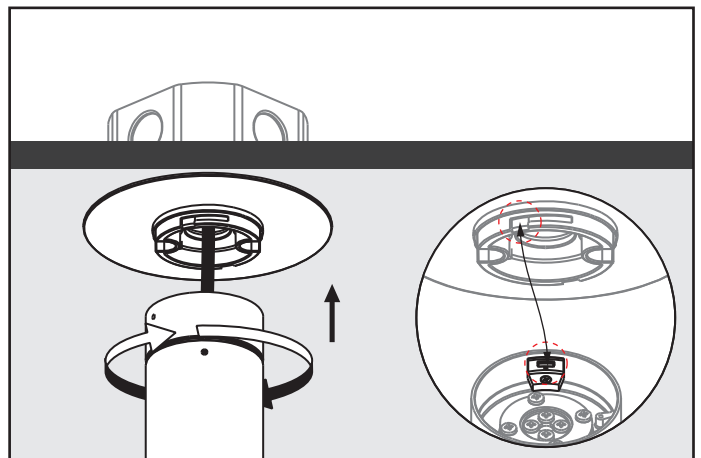
Step 2

Screw the surface adjustable mount plate onto the bracket in the two holes indicated.



Step 3

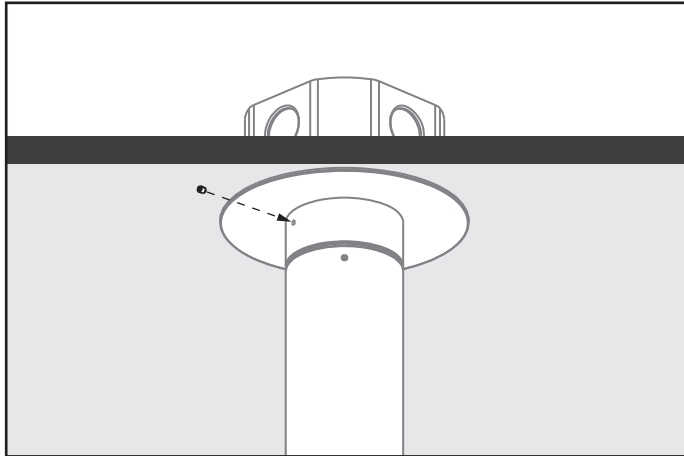
Refer to the wiring diagram for connection to the junction box.



Step 4

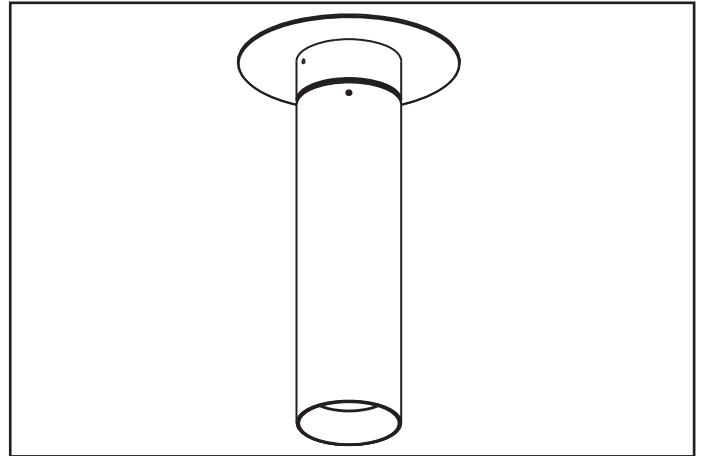
Align the bottom part of the fixture with the surface mount plate by matching the U-shaped openings.

ADVANCED HIGH CEILING DOT - Surface Adjustable Mount



Step 5

Screw in 1 Hex screw to complete installation.



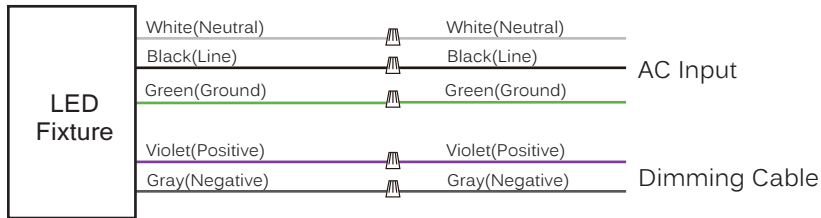
Step 6

Fixture installation complete.

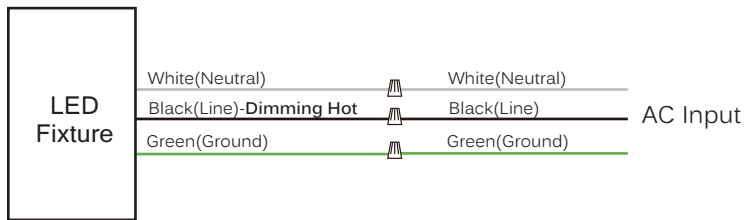
ADVANCED HIGH CEILING DOT - Surface Adjustable Mount

Wiring Diagram

0-10V / Superior 0-10V



TRIAC



ADVANCED HIGH CEILING

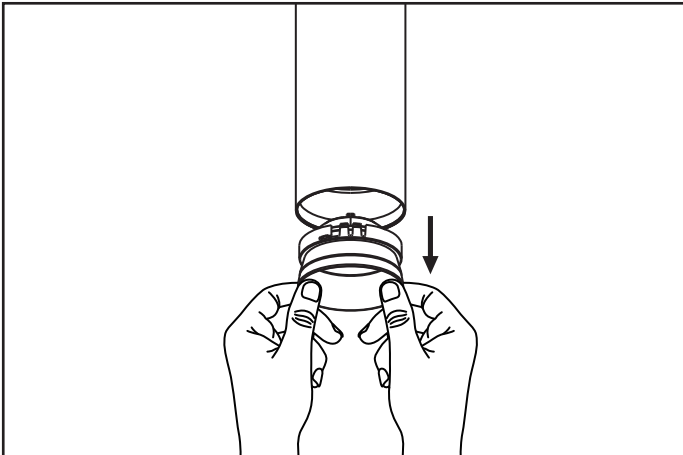
DOT - Accessory and optics installation



**IMPORTANT SAFETY INFORMATION.
READ AND FOLLOW ALL SAFETY INSTRUCTIONS**

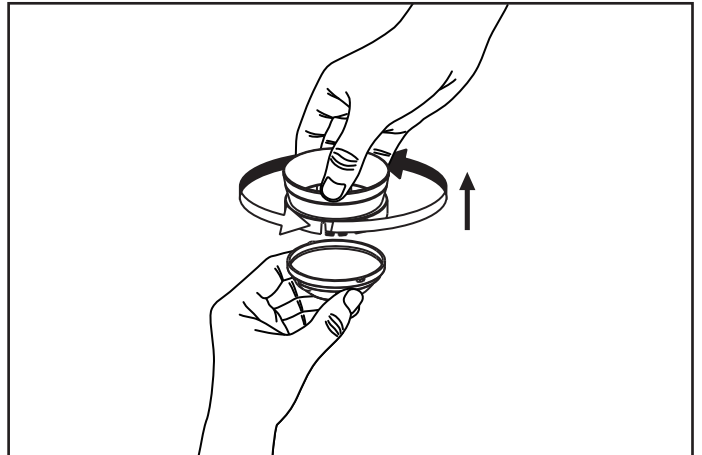
IMPORTANT SAFETY INFORMATION. READ AND FOLLOW ALL SAFETY INSTRUCTIONS. Before wiring to power supply and during servicing or relamping, turn off power at fuse or circuit breaker. All servicing or relamping must be performed by qualified service personnel. Product must be grounded to avoid potential electric shock or other potential hazard. Product must be at locations and at heights and in a manner consistent with its intended use, and in compliance with Electrical Code and local codes.

SAVE THESE INSTRUCTIONS FOR FUTURE REFERENCE.



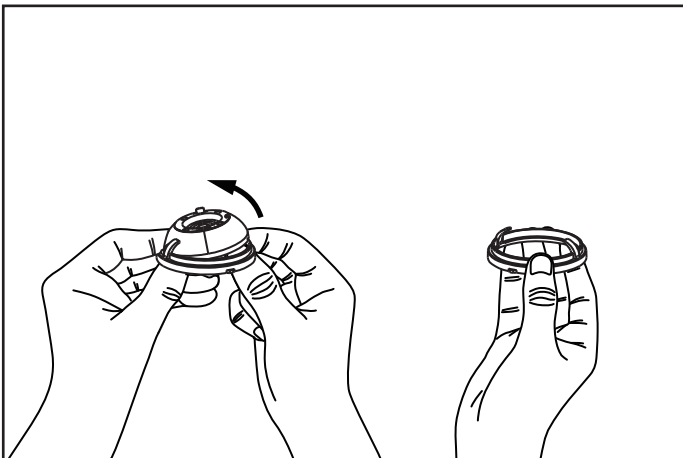
Step 1

Simply tug on the trim to remove the optics.



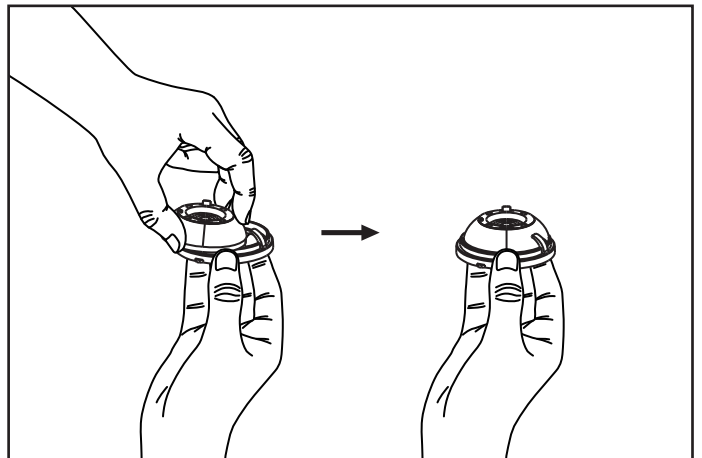
Step 2

Turn the trim clockwise to unlock the lens holder.



Step 3

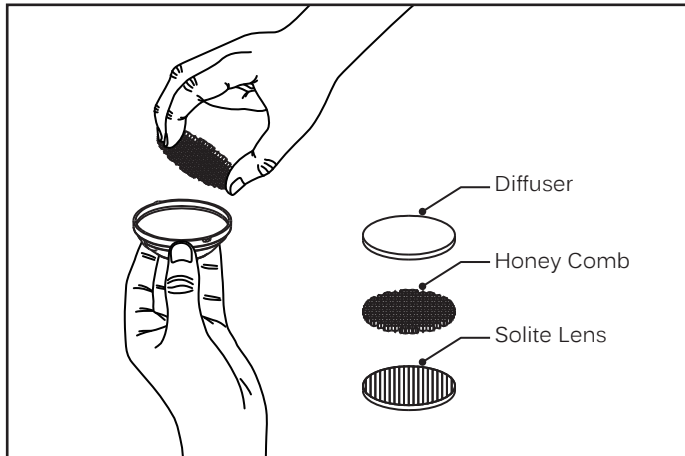
Facing down, push up on the optics from underneath until it slides out.



Step 4

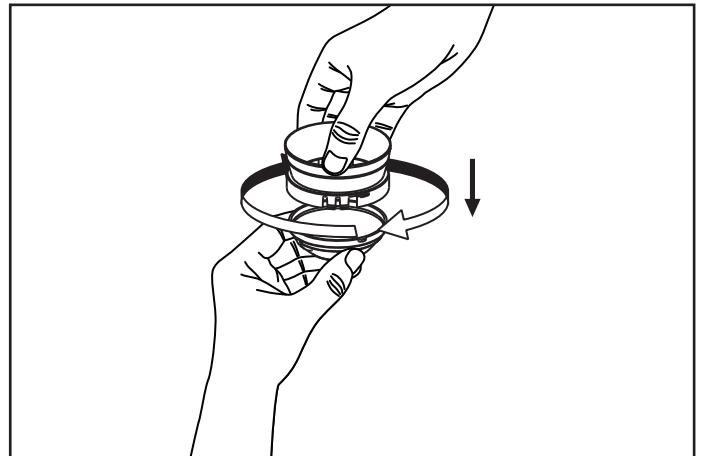
Replace with desired optics and slide into place.

ADVANCED HIGH CEILING DOT - Accessory and optics installation



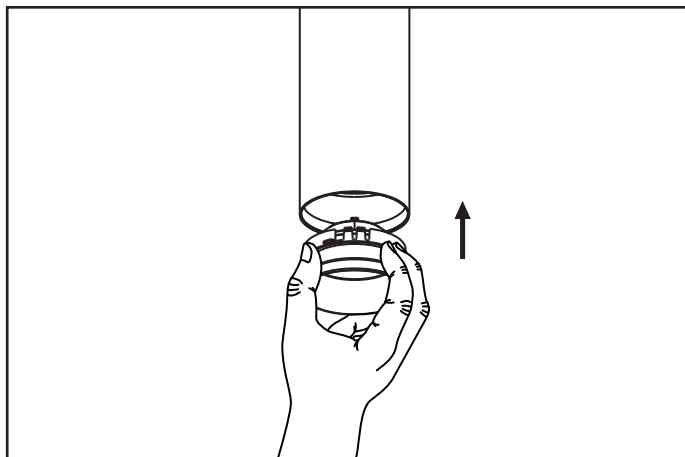
Step 5

When adding an accessory, add it on top of the optics as indicated.



Step 6

Turn the trim anti-clockwise to clasp the lens holder.



Step 7

Push back the trim and optics back into the fixture.