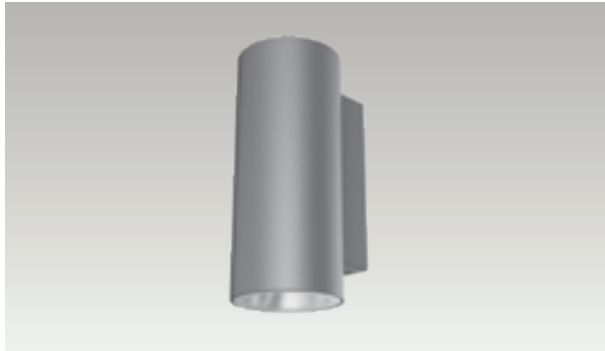


ADVANCED HIGH CEILING

Lance 4 - White Up / Down



High Performing Outdoor Luminaire

Built to last, the Lance 4 is a 4-inch round outdoor wall mount cylinder with a combined lumen package range from 1,460 lm to 2,400 lm. Available in a variety of configurations, this IP 65 rated luminaire has a variety of optics to help make a bold architectural statement.

| | |
|----------|------|
| Quantity | Type |
| Project | Note |

Electrical System

- 1620 lm (20W) Uplight: 10W / Downlight: 10W
- 2400 lm (30W) Uplight: 15W / Downlight: 15W
- Power Input: Universal (120-277V)
- Operating Temperature: -4°F~113°F
- Surge Protection: 2.5KV
- Power Factor Greater than 0.9

LED Technology

- 2700K, 3000K, 3500K, 4000K, NA
- 85 CRI, 93 CRI
- Beam Angle:
 - Down: 15°, 30°, 45°, 60°
 - Up: 15°, 30°, 45°, 60°
- Rated Life > 60,000 Hours (L70)

Advanced Dimming

(Proprietary VX Driver is incorporated to all dimming options for video flicker-free lighting)

- Standard 0-10V: dims to 10%
- Superior 0-10V: dims to 1%
- TRIAC: Line-voltage phase control, dims to 1% (120V only)

Housing

- Diameter: 4" (102mm)
- Height: 9.5" (240mm)
- Material: Aluminum
- Weight: 9.2 lbs

Warranty

- 5 year limited warranty

Listing

- ETL Wet Location Listed
- IP65



Lance 4 - White Up / Down



How To Specify:

Ordering Example: LA4-20-408-UNV-SPV-3535-BLK

4-5 weeks lead time on over 75% of specifications.

| Model | Wattage | CCT / CRI | Voltage | Dimming |
|----------------|--|---|--------------|---|
| LA4 | <input type="text"/> | <input type="text"/> | UNV | <input type="text"/> |
| LA4 Lance 4 | 20 Downlight: 10W Uplight: 10W 30 Downlight: 15W Uplight: 15W | 278 2700K / CRI85 308 3000K / CRI85 358 3500K / CRI85 408 4000K / CRI85 279 2700K / CRI93 309 3000K / CRI93 359 3500K / CRI93 | UNV 120-277V | STV Standard 0-10V dims to 10% SPV Superior 0-10V dims to 1% TRC TRIAC dims to 1% (120V only) |

Beam Angle

| Downlight: | | Uplight: | |
|-----------------|-----|-----------------|-----|
| 15 | 15° | 15 | 15° |
| 30 | 30° | 30 | 30° |
| 45 | 45° | 45 | 45° |
| 60 ¹ | 60° | 60 ¹ | 60° |

Color

| | |
|-----|-------|
| BLK | Black |
| WHT | White |
| GRY | Gray |



Finish

| | |
|-----|----------------|
| STD | Standard |
| NAT | Natorium Rated |
| MAR | Marine Finish |

Accessories

| | |
|-----------------|------------------|
| FW ¹ | Forward Throw |
| WW ¹ | Wall Wash 20° |
| LL ¹ | Linear Lens |
| HC ² | Honeycomb Louver |
| SL ³ | Solite Lens |

¹ Please factor in change in lumen output of -20%

¹ Please factor in change in lumen output of -20%

² Please factor in change in lumen output of -30%

³ Please factor in change in lumen output of -15%

Lance 4 - White Up / Down

Delivered Lumens*

| CCT | 20W | | 30W | |
|-------|----------|------------|----------|------------|
| | UP (10W) | DOWN (10W) | UP (15W) | DOWN (15W) |
| 4000K | 729 lm | 729 lm | 1080 lm | 1080 lm |
| 3500K | 707 lm | 707 lm | 1049 lm | 1049 lm |
| 3000K | 684 lm | 684 lm | 1017 lm | 1017 lm |
| 2700K | 657 lm | 657 lm | 972 lm | 972 lm |

Current Consumption

| Wattage | Volt | |
|---------|------|-------|
| | 120V | 277V |
| 20W | 0.2A | 0.09A |
| 30W | 0.3A | 0.13A |

*Tolerance ± 8%

Dimensions

