

# ATRIA II 8

REIMAGINING PERFORMANCE SPACES

SPECIFICATION SHEET  
WARM DIM

## Housing

Diameter : Ø8.1" | Height : 21.5" | Weight : 20 lbs

## Material

Housing : High Pressure Die-Cast Aluminum  
Optics : Metal Reflector

## Power Input

80W, 100W, 130W, 160W | 120-277V

## Lumen Output

5,480 lm (80W), 6,860 lm (100W), 8,920 lm (130W), 10,970 lm (160W)

## Dimming

Superior 0-10V : Dims to 1 %  
DMX : High resolution dims to 0.1% (Supports ANSI E1.20 RDM protocol)

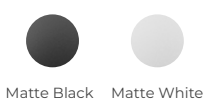
## Color Quality

CRI 85

## Rated Life

> 100,000 Hours (L70)

## Finish



## Color Temperature



## Optics



## Mounting



## Warranty

5 Year limited warranty

## Listing



## Versatile and Compact Architectural Cylinder

Engineered for performance spaces, this architectural compact cylinder seamlessly integrates into ceilings, delivering powerful performance with vibrant, color-changing technology that elevates any stage environment.

ColorFlip™ harnesses advanced flip-chip technology, designed in-house, to deliver high-efficacy, flexible, and cost-effective color tuning solutions. This technology ensures robust output and precise color accuracy.



METEOR

meteor-lighting.com

**SPECIFICATION**

PROJECT NAME

DATE

CATALOG #

QUANTITY

The product configurator function on this page works only with the latest version of Chrome or Adobe Acrobat Reader.

<input type="text" value="ASII8"/>	MODEL	<b>ATRIA II 8</b>		
<input type="text"/>	WATTAGE	<b>80</b> 80W <b>160</b> 160W	<b>100</b> 100W	<b>130</b> 130W
<input type="text" value="WDIM"/>	CCT / CRI	<b>WDIM</b> 1900K-3000K		
<input type="text" value="UNV"/>	VOLTAGE	<b>UNV</b> 120 – 277V		
<input type="text"/>	DIMMING	<b>SPV</b> Superior 0-10V dims to 1%, dim to black <b>DMXW</b> DMX dims to 0.1% (Hard-wired)	<b>DMX</b> DMX dims to 0.1% (XLR Sockets)	<b>DMXR</b> DMX dims to 0.1% (RJ45 Sockets)
<input type="text"/>	BEAM ANGLE	<b>30</b> 30° <b>WD<sup>1</sup></b> Wide	<b>45</b> 45°	<b>55</b> 55°
<input type="text"/>	FINISH	<b>BLK</b> SilentBlack™, Matte Finish	<b>WHT</b> SilentWhite™, Matte Finish	
<input type="text"/>	RIM FINISH	<b>STD</b> Standard	<b>GLR</b> Glowing Ring	
<input type="text"/>	MOUNTING	<b>ST2</b> Stem 2ft <b>SAD10</b> Sloped Adjustable Cable 10ft <b>SUM</b> Surface Mount	<b>ST4</b> Stem 4ft <b>YKM</b> Yoke Mount	<b>AD10</b> Adjustable Cable 10ft <b>WLM<sup>2</sup></b> Wall Mount
<input type="text"/>	ACCESSORIES	<b>SPD<sup>3</sup></b> Surge Protector	<b>HC<sup>4</sup></b> Hex Cell Louver	<b>CT<sup>5</sup></b> Conduit Mount

 CLEAR FORM

<sup>1</sup> WD option reduces delivered lumens by ~20%

<sup>2</sup> WLM is not compatible with DMX, DMXR; connections are hard-wired using three DMX wires

<sup>3</sup> Surge protector for up to 10KV. Applicable for unstable mains or facilities using high power machineries

<sup>4</sup> HC option reduces delivered lumens by ~30%

<sup>5</sup> CT is not compatible with SUM, YKM, WLM

**TECHNICAL DETAILS**

**Electrical**

- 5,480 lm (80W), 6,860 lm (100W), 8,920 lm (130W), 10,970 lm (160W)
- Power Input : Universal (120-277V)
- Operating Temperature : -13°F~112°F
- Surge Protection : Built-in is 4KV
- Power Factor Greater than 0.9

**LED Features**

- ColorFlip™ Warm Dim 1900K ↔ 3000K
- CRI 85
- Long lasting LED luminaire tested under TM21 lumen maintenance L70 @ 100,000 Hrs
- Lumen Maintenance > 0.90 at 60,000 hours

**Optics**

- Aluminum Reflector
- Beam Angle : 30°, 45°, 55°, WD

**Advanced Dimming**

- Proprietary VX Driver™ is integrated across all dimming options, delivering video flicker-free performance and full compliance with IEEE 1789.
- Superior 0-10V : Dims to 1 %
- DMX : High resolution dims to 0.1% (Supports ANSI E1.20 RDM protocol)

**Housing**

- Diameter : Ø8.1"
- Height : 21.5"
- Material : High Pressure Aluminum, Metal Reflector
- Weight : 20 lbs

**Mounting**

- Stem 2ft or 4ft; 45° Swivel Canopy Included
- Adjustable Cable 10ft
- Sloped Adjustable Cable 10ft
- Surface Mount
- Yoke Mount
- Wall Mount

**Warranty**

- 5-year limited warranty

**Listing**

- ETL Damp Location Listed
- CE
- UKCA
- FCC

**PERFORMANCE SUMMARY\***

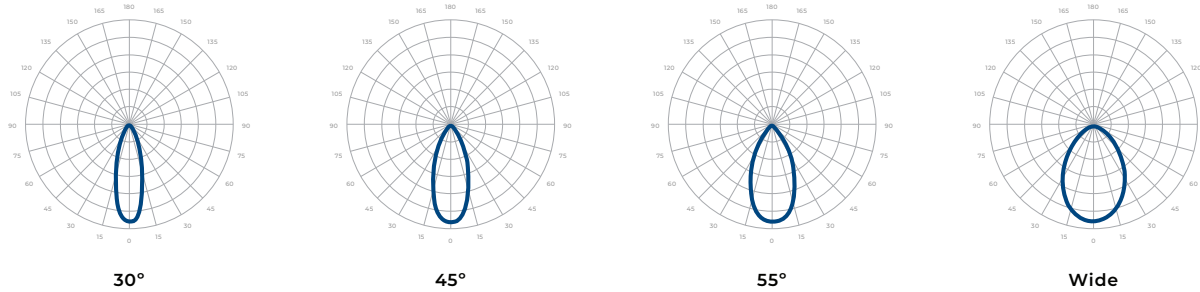
Warm Dim	1900K					3000K
<b>DMX</b> CCT Signal (%)	7%	20%	40%	60%	80%	100%
<b>0-10V</b> CCT Voltage	0.7	2	4	6	8	10
<b>80W</b>	50lm	200lm	820lm	1,930lm	3,370lm	5,480lm
<b>100W</b>	60lm	250lm	1,020lm	2,410lm	4,220lm	6,860lm
<b>130W</b>	80lm	320lm	1,330lm	3,140lm	5,490lm	8,920lm
<b>160W</b>	100lm	400lm	1,640lm	3,860lm	6,750lm	10,970lm

\*Beam Angle: 55° \*Tolerance ±8%

Current Consumption		
WATTAGE / VOLT	120V	277V
<b>80W</b>	0.73A	0.32A
<b>100W</b>	0.91A	0.39A
<b>130W</b>	1.2A	0.52A
<b>160W</b>	1.5A	0.64A

**PHOTOMETRICS**

Below is a typical photometric representation of the Atria II 8 fixture. Please download IES files to ensure exact photometric value.

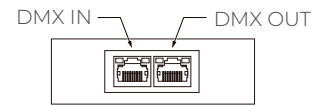


**DMX REQUIREMENTS**

The Atria II 8 fixture with DMX is a **single channel dmx** unit that dims both intensity and color temperature between 1900K <-> 3000K. When placing an order, please indicate DMX address. (The DMX address will be listed on the back of the fixture). Do not connect more than 32 fixtures per DMX daisy chain.

The fixture can be connected with RJ45 or XLR sockets. DMX cables **are not** included; please refer to compatible DMX cabling list for more information. The final fixture on each daisy chain should be terminated by the use of a DMX terminator purchased from a 3rd party or from Meteor.

CONNECTION	RJ45 (CAT5e)	5-PIN XLR
Common	WHITE/BROWN(PIN7) & BROWN (PIN 8)	PIN 1
Signal -	ORANGE (PIN 2)	PIN 2
Signal +	WHITE/ORANGE (PIN 1)	PIN 3
Spare	-	PIN 4
Spare	-	PIN 5



**RJ45 Sockets**



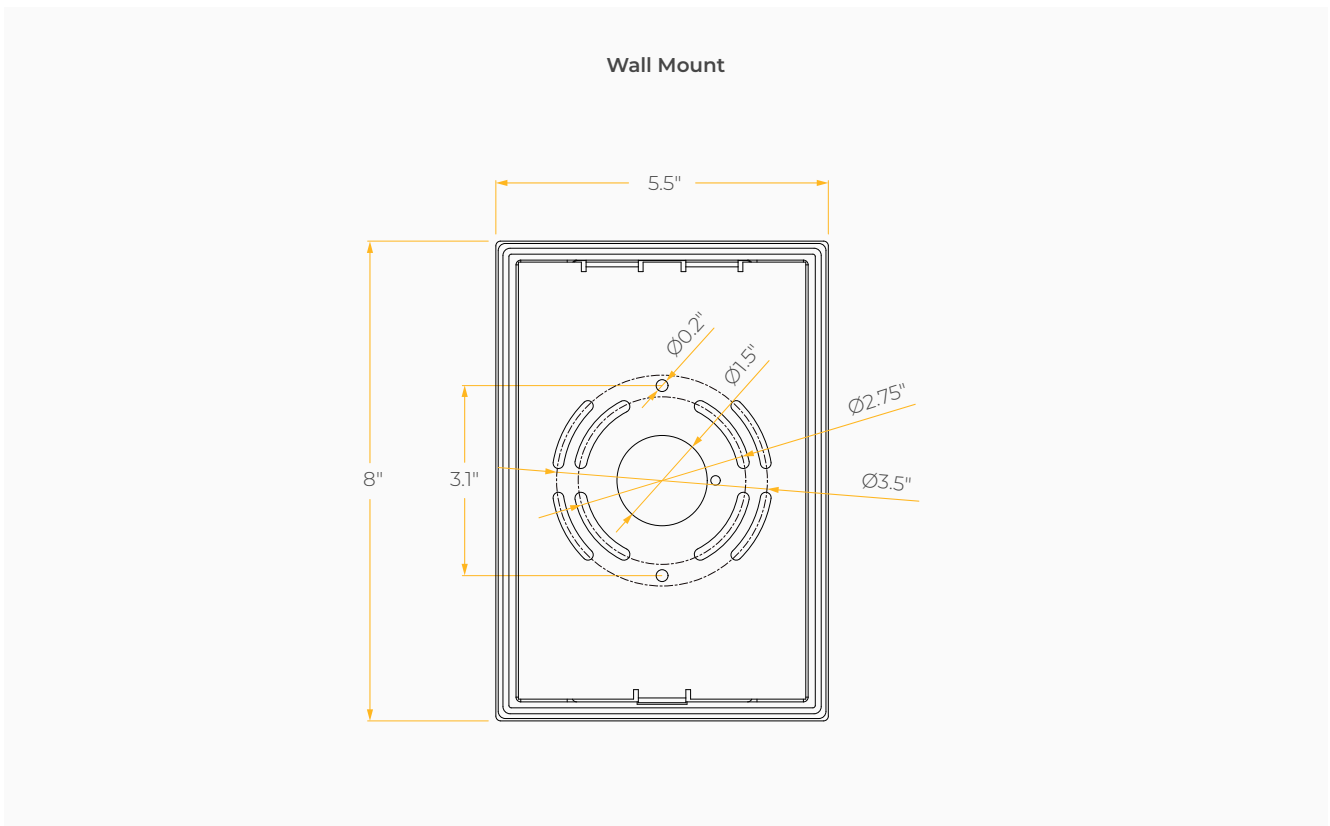
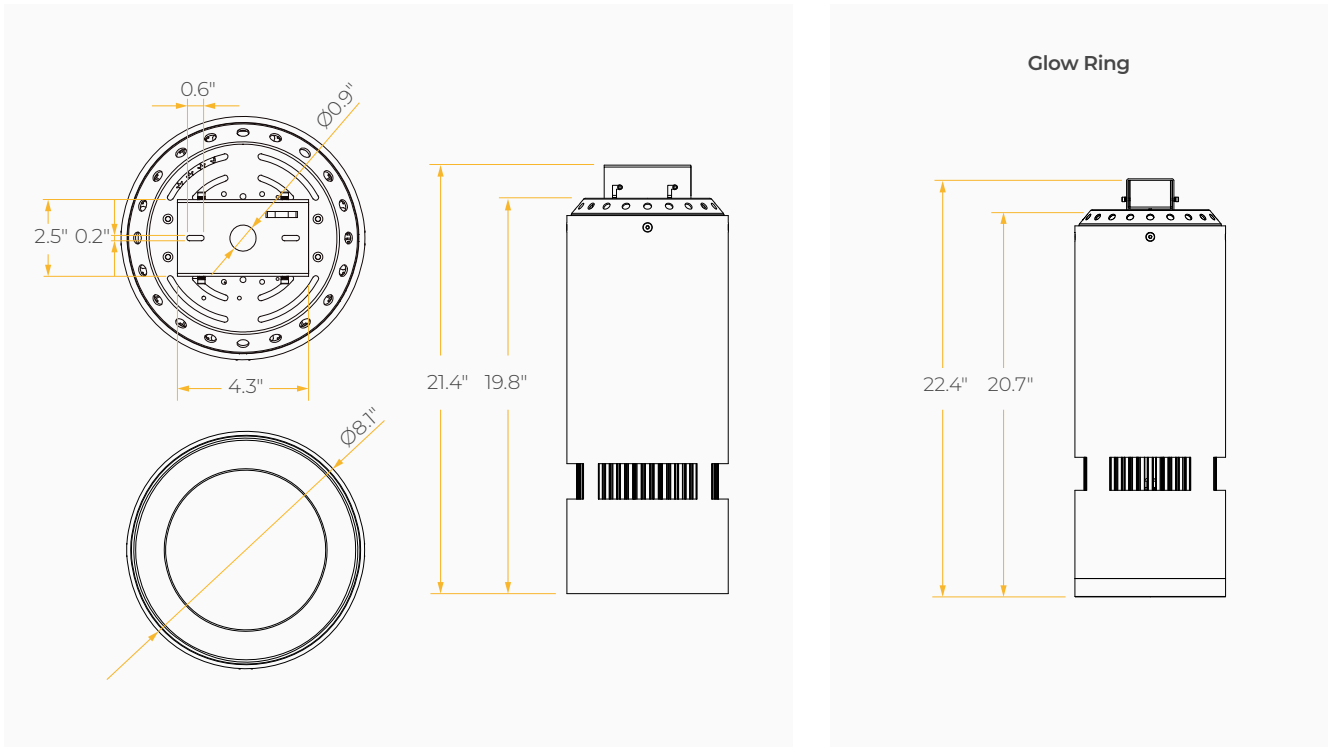
**XLR Sockets**

**COMPATIBLE DMX CABLING LIST**

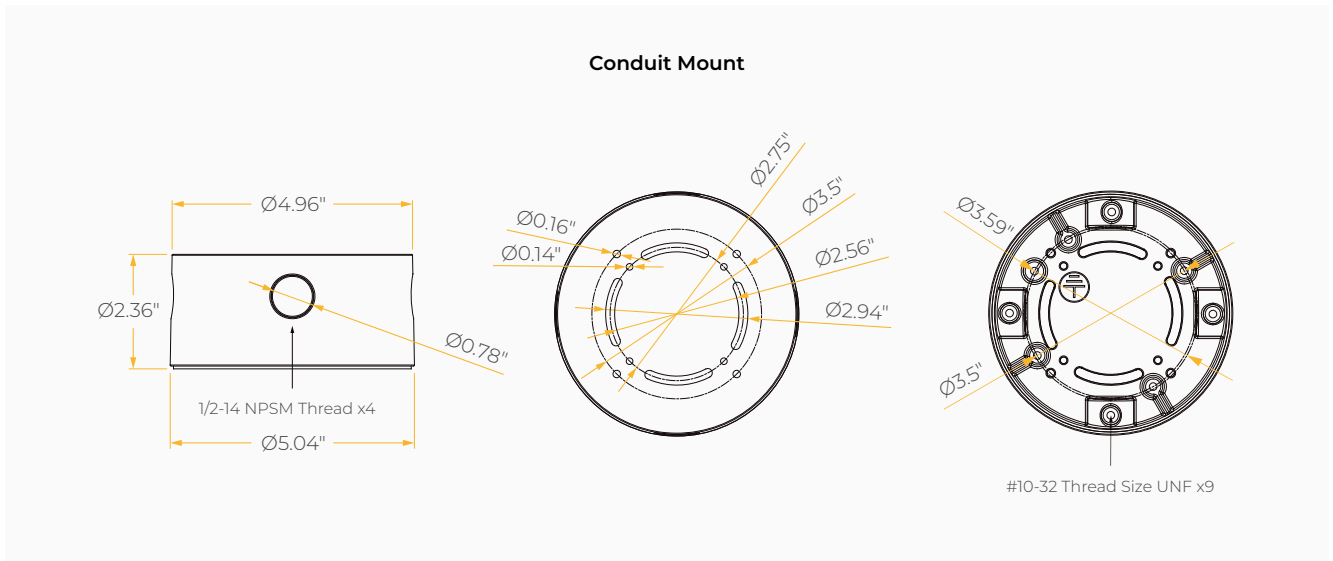
DMX uses a cable consisting of two twisted pairs plus a shield to carry data. The cable must be specifically impedance matched for the digital DMX signal, meaning that microphone cable or other non-rated cable **must not be used to carry DMX**. Network cable (Cat5, 5e or 6 cable) may be used to carry DMX in an installation; however special consideration must be given to shielding and termination. Under no circumstances should solid core cable like Cat5 be terminated into a screw down connector.

Meteor recommends the use of Belden 9729 or Belden 9841 for DMX installation. Belden 9729/9841 is a shielded twisted pair cable, which allows for a spare pair for 'out and back' type terminations if needed.

**DIMENSIONS**



**DIMENSIONS**



**MOUNTING OPTIONS**

\*Junction box not included

