

RIO 4

SPECIFICATION SHEET
STATIC WHITE

BI-DIRECTIONAL CYLINDER

Housing

Diameter : Ø4.8" | Height : 11.8" | Weight : 8.3 lbs

Material

Housing : Extruded Aluminum
Optics : Aluminum Reflector

Power Input

Downlight : 15W, 25W, 45W | 120, 120-277V
Uplight : 15W, 25W | 120, 120-277V

Lumen Output

Downlight : 2,150 lm (15W), 3,585 lm (25W), 6,455 lm (45W)
Uplight : 2,290 lm (15W), 3,815 lm (25W)

Dimming

Superior 0-10V : Dims to off
TRC : Linear line-voltage phase control, dims to 1%
DALI : Dims to 1%

Color Quality

CRI 85, CRI 93 | UGR ≤ 19

Rated Life

> 100,000 Hours (L70)

Finish



Black White

Color Temperature



2700K 3000K 3500K 4000K

Optics



30° 45° 55° WIDE

Mounting



Cord
Mount

Warranty

5 Year limited warranty

Listing



Intertek

Power and Balance

The Rio Series is a clean, architectural bi-directional cylinder offered in 4" and 6" apertures, designed for spaces where form and performance carry equal weight. Selectable wattage options allow designers to balance uplight and downlight or bias the output downward, with separate dimming control for each channel to fine-tune comfort and visual hierarchy.

With efficacies exceeding 140 lm/W, Rio delivers high output with minimal energy demand. An integrated suspension and power cable keeps the profile uncluttered and installation straightforward. An outdoor-rated option is available for cohesive indoor-to-outdoor design continuity.



METEOR

meteor-lighting.com

SPECIFICATION SHEET / STATIC WHITE

RIO 4 BI-DIRECTIONAL CYLINDER



SPECIFICATION

PROJECT NAME

DATE

CATALOG #

QUANTITY

The product configurator function on this page works only with the latest version of Chrome or Adobe Acrobat Reader.

<input type="text" value="RIO4"/>	MODEL	RIO 4		
<input type="text"/>	WATTAGE	30 Downlight: 15W Uplight: 15W	50 Downlight: 25W Uplight: 25W	70 Downlight: 45W Uplight: 25W
<input type="text"/>	CCT / CRI	278 2700K / CRI 85 309 3000K / CRI 93 408 4000K / CRI 85	279 2700K / CRI 93 358 3500K / CRI 85	308 3000K / CRI 85 359 3500K / CRI 93
<input type="text"/>	VOLTAGE	120 120V	UNV 120 – 277V	
<input type="text"/>	DIMMING	NOD Non-Dimming TRC¹ Linear line-voltage phase control, dims to 1% (Up/Down Together)	SPVS Superior 0-10V dims to off Single (Up/Down Together) DALID DALI dims to 1% Dual (Up/Down Separately)	SPVD Superior 0-10V dims to off Dual (Up/Down Separately)
<input type="text"/>	BEAM ANGLE	Downlight 30 30° WD³ Wide	45 45°	55 55°
<input type="text"/>		Uplight 30 30° WD² Wide	45 45°	55 55°
<input type="text"/>	FINISH	BLK Black	WHT White	
<input type="text"/>	MOUNTING	CM#(2/4/6/8/10)³ Thin Cord Mount (2, 4, 6, 8, 10 ft.)		
<input type="text"/>	ACCESSORIES	EMP Remote Emergency Pack	HC⁴ Hex Cell Louver	

CLEAR FORM

¹ TRC is only compatible with 120V and is not compatible with 50W, 70W
² WD option reduces delivered lumens by ~20%
³ Replace “#” with the required length designation. ex: CM2, CM4
⁴ HC reduces delivered lumens by ~30% and is not compatible with WD

TECHNICAL DETAILS

Electrical

- Downlight : 2,150 lm (15W), 3,585 lm (25W), 6,455 lm (45W)
- Uplight : 2,290 lm (15W), 3,815 lm (25W)
- Power Input : 120V, Universal (120-277V)
- Operating Temperature : -13°F~104°F
- Surge Protection : Built-in is 2.5KV
- Power Factor Greater than 0.9
- Remote Emergency Pack : Bodine BSL20B2UEK55C111

LED Features

- Color Temperature : 2700K, 3000K, 3500K, 4000K
- CRI 85, CRI 93
- UGR ≤ 19
- Long lasting LED luminaire tested under TM21 lumen maintenance L70 @ 100,000 Hrs

Optics

- Aluminum Reflector
- Beam Angle : 30°, 45°, 55°, WD

Advanced Dimming

- Proprietary VX Driver™ is integrated across all dimming options, delivering video flicker-free performance and full compliance with IEEE 1789.
- Superior 0-10V : Dims to off
Single Dimming (Controls Up/Down Together)
Dual Dimming (Controls Up/Down Separately)
- TRC : Linear line-voltage phase control, dims to 1%
Single Dimming (Controls Up/Down Together)
- DALI : Dims to 1%
Dual Dimming (Controls Up/Down Separately)

Housing

- Diameter : Ø4.8"
- Height : 11.8"
- Canopy : 6.5" x 2"
- Material : Extruded Aluminum
- Weight : 8.3 lbs

Mounting

- Thin Cord Mount 2ft, 4ft, 6ft, 8ft, 10ft

Warranty

- 5-year limited warranty

Listing

- ETL Damp Location Listed
- CE
- FCC

PERFORMANCE SUMMARY*

Delivered Lumens						
TOTAL WATTAGE	Uplight Wattage	Downlight Wattage	2700K	3000K	3500K	4000K
30W	15W	15W	2,095 / 1,970lm	2,225 / 2,090lm	2,275 / 2,140lm	2,290 / 2,150lm
50W	25W	25W	3,495 / 3,285lm	3,710 / 3,485lm	3,795 / 3,565lm	3,815 / 3,585lm
70W	25W	45W	3,495 / 5,915lm	3,710 / 6,275lm	3,795 / 6,420lm	3,815 / 6,455lm

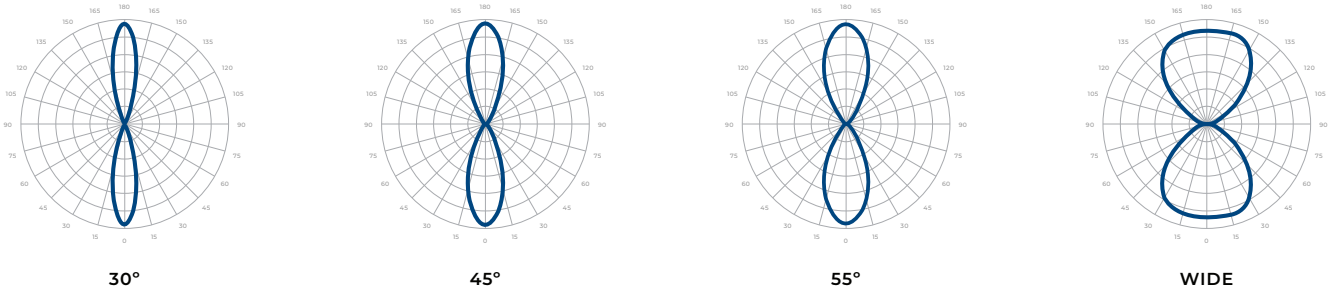
*Tolerance ±8%

*For specifications requiring a CRI of 93, apply a 0.75 multiplier to the lumen output values listed.

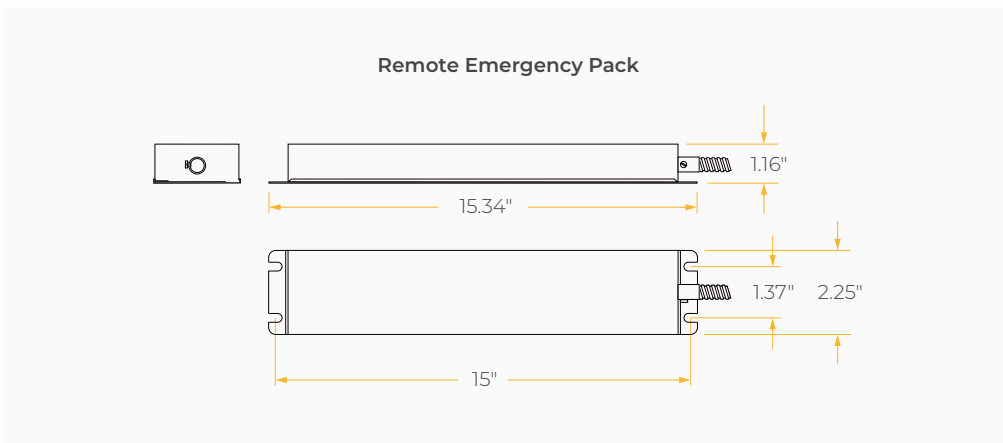
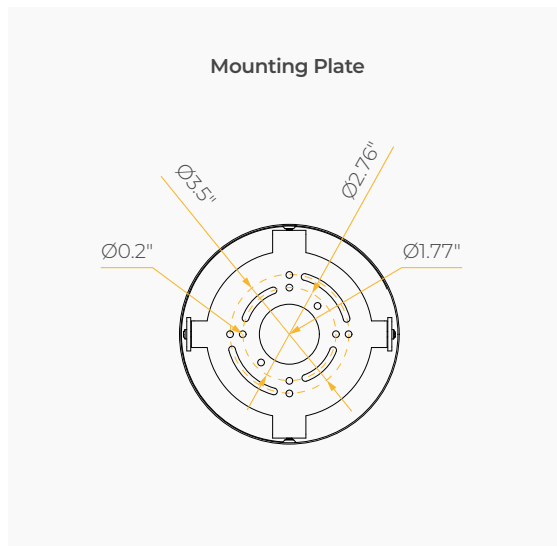
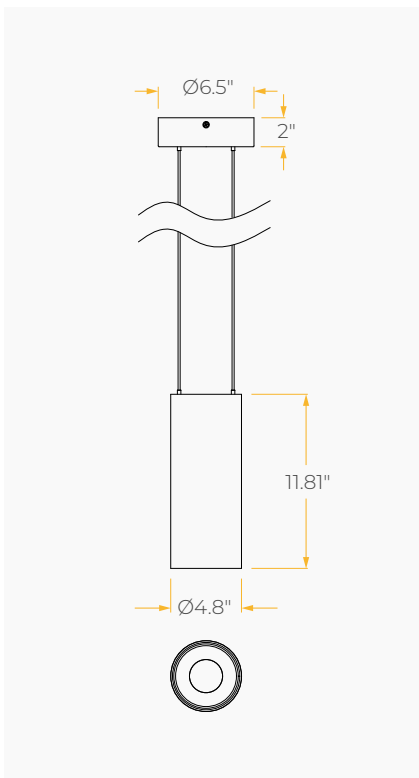
Current Consumption		
WATTAGE / VOLT	120V	277V
30W	0.28A	0.12A
50W	0.46A	0.20A
70W	0.64A	0.28A

PHOTOMETRICS

Below is a typical photometric representation of the Rio 4 fixture. Please download IES files to ensure exact photometric value.



DIMENSIONS



MOUNTING OPTIONS*

**Junction box not included*

