

REV FLEX 6

SPECIFICATION SHEET
TUNABLE WHITE

REVOLUTIONARY ADJUSTABLE DOWNLIGHTS

Housing

Aperture : Ø5.7" | Height : 8.29"
Maximum Ceiling Thickness : 1.38" | Ceiling Cutout : 6.1"
Weight : 4.9 lbs (New Construction), 4.4 lbs (Retrofit)

Material

Housing : High Pressure Die-Cast Aluminum
Optics : Aluminum Reflector

Power Input

30W, 45W, 60W | 120V, 277V

Lumen Output

1,670 lm (30W), 2,340 lm (45W), 3,345 lm (60W)

Dimming

DMX : High resolution dims to 0.1%

Color Quality

CRI 85

Rated Life

> 100,000 Hours (L70)

Bezel Finish



Matte
Black



Matte
White



Matte
Silver

Trim Finish



Matte
Black



Matte
White

Color Temperature



ColorFlip™ Tunable White
2700K ↔ 6500K

Optics



40°



55°

Adjustability



0°-30°
Tilt



0°-359°
Rotation

Warranty

5 Year limited warranty

Listing



Quiet . Adjustable. Color Changing.

The new REV Flex series is an extension of Meteor's revolutionary downlights with an adjustable factor. Coming in a range of 2", 4" and 6" apertures. The REV Flex series feature 359° rotation, 30° tilt, and a variety of architectural illumination options.

All REV Flex configurations are Title 24 listed, and compatible with our proprietary high efficacy ColorFlip™ color changing technology Tunable White. Also features built-in Flicker-Free video recording with our VX™ Driver.



METEOR

meteor-lighting.com

SPECIFICATION

PROJECT NAME

DATE

CATALOG #

QUANTITY

The product configurator function on this page works only with the latest version of Chrome or Adobe Acrobat Reader.

<input type="text"/>	MODEL	RF6N REV Flex 6 New Construction	RF6R REV Flex 6 Retrofit	
<input type="text"/>	WATTAGE	30 30W	45 45W	60 60W
<input type="text"/>	BEZEL TYPE	A Adjustable Bezel	F¹ Fixed Cut-off Bezel	W² Wallwash Bezel
TNW	CCT / CRI	TNW 2700K-6500K		
<input type="text"/>	VOLTAGE	120 120V	277 277V	
<input type="text"/>	DIMMING	DMXP DMX dims to 0.1% (Phoenix Connector)	DMXR DMX dims to 0.1% (RJ45 Sockets)	
<input type="text"/>	TRIM TYPE	R Round SF³ Square Flangeless	S Square	RF³ Round Flangeless
<input type="text"/>	TRIM FINISH	BLK Matte Black	WHT Matte White	
<input type="text"/>	BEZEL FINISH	BLK Matte Black	WHT Matte White	SLV Matte Silver
<input type="text"/>	BEAM ANGLE	40 40°	55 55°	
<input type="text"/>	ACCESSORIES	HC⁴ Hex Cell Louver	GR8⁵ Goof Ring 8"	

CLEAR FORM

¹ Fixed Cut-off Bezel is not compatible with 60W, HC
² Wallwash bezel are always silver in color and only compatible with 55°
³ Flangeless trims are always white in color
⁴ HC option reduces delivered lumens by ~25%, and HC is not compatible with 60W
⁵ GR8 is not compatible with RF6N, S, SF

TECHNICAL DETAILS

Electrical

- 1,670 lm (30W), 2,340 lm (45W), 3,345 lm (60W)
- Power Input : 120V or 277V
- Operating Temperature : 14°F~104°F

LED Features

- ColorFlip™ Tunable White 2700K ↔ 6500K
- CRI 85
- Long lasting LED luminaire tested under TM21 lumen maintenance L70 @ 100,000 Hrs
- Lumen Maintenance > 0.90 at 60,000 hours

Optics

- Precision molded high transmittance clear PC lens
- Beam Angle : 40°, 55°

Advanced Dimming

- Proprietary VX Driver™ is integrated across all dimming options, delivering video flicker-free performance and full compliance with IEEE 1789.
- DMX : High resolution dims to 0.1% (Supports ANSI E1.20 RDM protocol)

Housing

- Aperture : Ø5.7"
- Height : 7.5"(30W,45W), 7.92"(60W), 8.29"(60W Fixed Cut-of Bezel)
- Weight : 4.9 lbs (New Construction), 4.4 lbs (Retrofit)
- Ceiling Cutout : 6.1" (New Construction), 6" (Retrofit), 6.3" (Flangeless)
- Maximum Ceiling Thickness : 1.38"
- Material : High Pressure Die-Cast Aluminum, Glass, Aluminum Reflector
- Non-IC Rated, insulation must be kept >1ft from housing
- Light engine, optics, and driver(s) accessible from below ceiling

*Note : C-Channel / Mounting Channels / T-Bar Hangers are purchased from a third party

Warranty

- 5-year limited warranty

Listing

- ETL
- CE
- FCC
- JA8 Title 24 Compliant

PERFORMANCE SUMMARY*

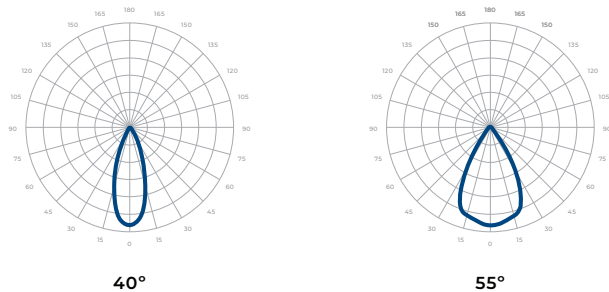
ColorFlip™	2700K	3000K	3500K	4000K	4500K	5000K	5700K	6500K
DMX CCT Signal (%)	0%	10%	25%	45%	60%	70%	85%	100%
30W	1,430lm	1,510lm	1,590lm	1,670lm	1,660lm	1,640lm	1,630lm	1,620lm
45W	2,000lm	2,110lm	2,230lm	2,340lm	2,320lm	2,300lm	2,280lm	2,260lm
60W	2,860lm	3,020lm	3,185lm	3,345lm	3,320lm	3,290lm	3,260lm	3,230lm

*Beam Angle: 40° *Tolerance ±8%

Current Consumption		
WATTAGE / VOLT	120V	277V
30W	0.25A	0.11A
45W	0.38A	0.16A
60W	0.5A	0.21A

PHOTOMETRICS

Below is a typical photometric representation of the Rev Flex 6 fixture. Please download IES files to ensure exact photometric value.



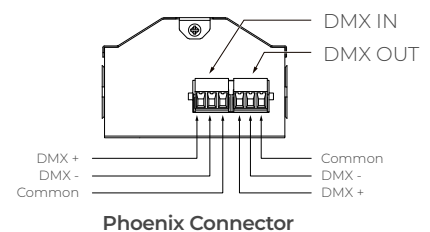
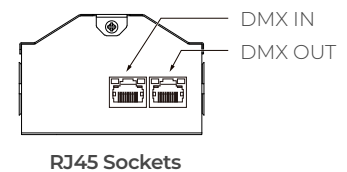
DMX REQUIREMENTS

The Rev Flex 6 Tunable White fixture with DMX unit has **two channels** per fixture (1 to control intensity, 1 to control color). When placing an order, please indicate DMX address. (The DMX address will be listed on the back of the fixture). Do not connect more than 32 fixtures per DMX daisy chain.

DMX Address		
Fixture	Intensity Control (ex. X)	Color Control (ex. X+1)
#1	1	2
#2	3	4
#3	5	6

The fixture can be connected with RJ45 Socket or Phoenix Connector. DMX cables **are not** included; please refer to compatible DMX cabling list for more information. The final fixture on each daisy chain should be terminated by the use of a DMX terminator purchased from a 3rd party or from Meteor.

CONNECTION	RJ45 (CAT5e)
Common	WHITE/BROWN(PIN7) & BROWN (PIN 8)
Signal -	ORANGE (PIN 2)
Signal +	WHITE/ORANGE (PIN 1)
Spare	-
Spare	-



COMPATIBLE DMX CABLING LIST

DMX uses a cable consisting of two twisted pairs plus a shield to carry data. The cable must be specifically impedance matched for the digital DMX signal, meaning that microphone cable or other non-rated cable **must not be used to carry DMX**. Network cable (Cat5, 5e or 6 cable) may be used to carry DMX in an installation; however special consideration must be given to shielding and termination. Under no circumstances should solid core cable like Cat5 be terminated into a screw down connector.

Meteor recommends the use of Belden 9729 or Belden 9841 for DMX installation. Belden 9729/9841 is a shielded twisted pair cable, which allows for a spare pair for 'out and back' type terminations if needed.

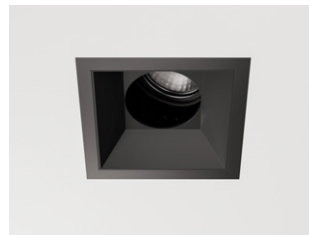
TRIM TYPES



Round Trim



Round Flangeless Trim

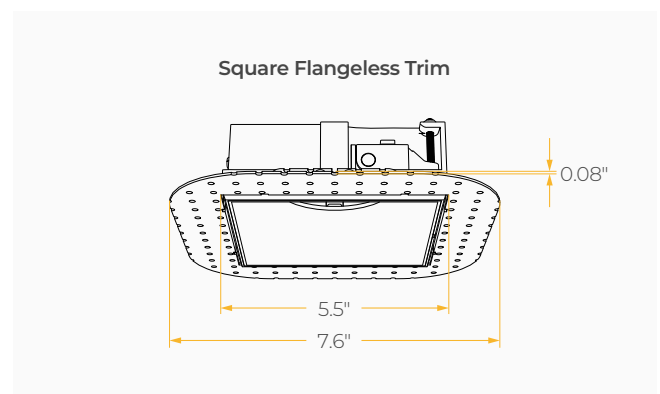
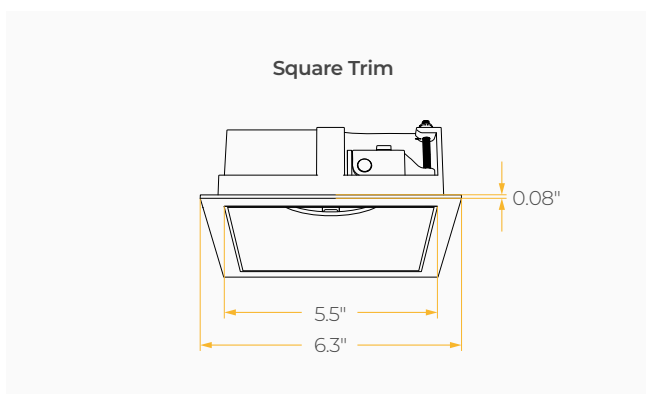
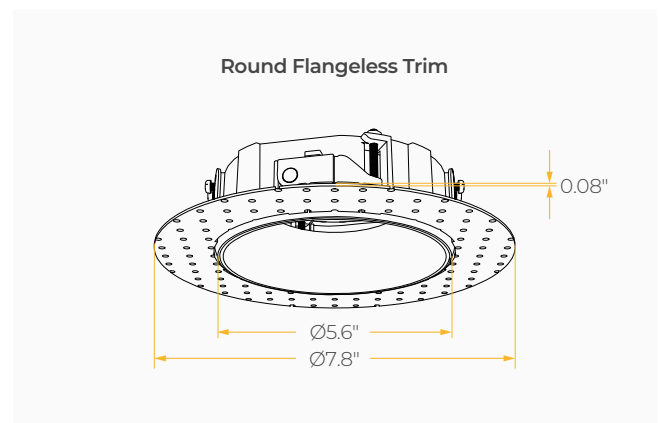
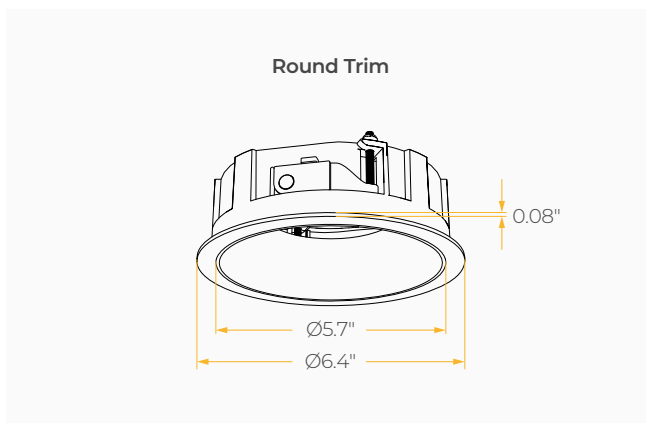
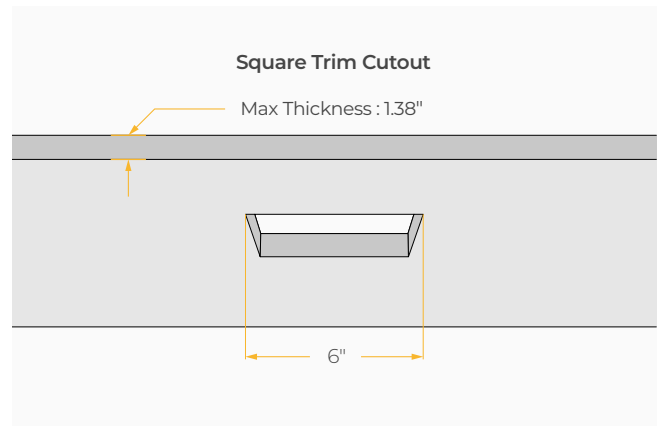
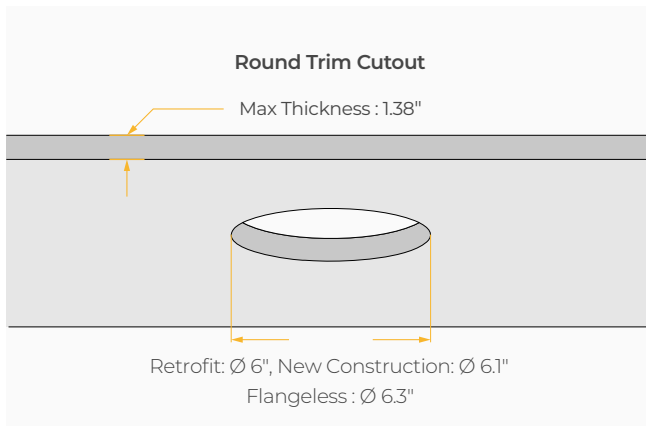


Square Trim



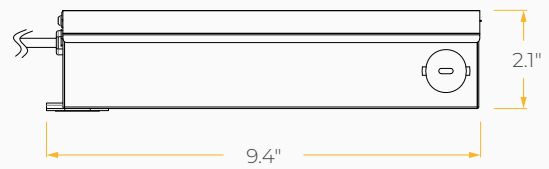
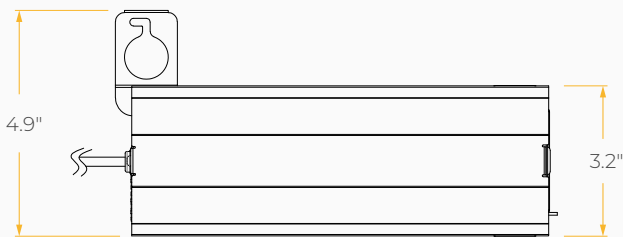
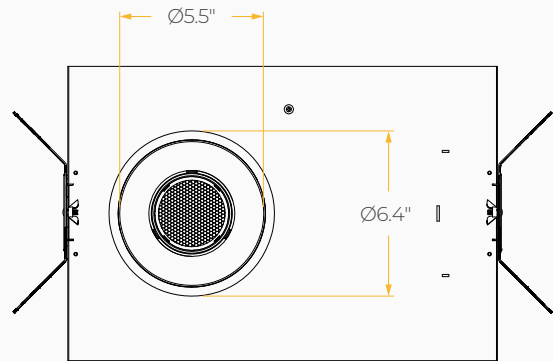
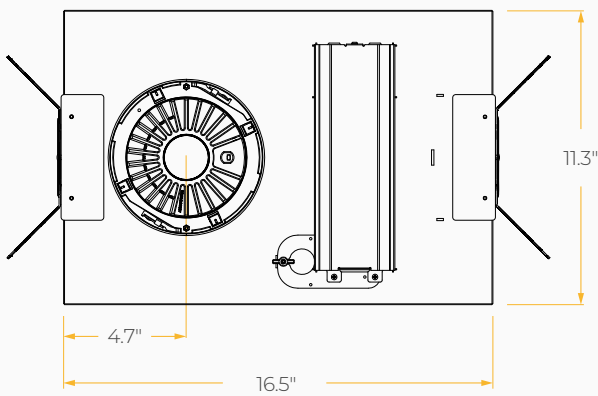
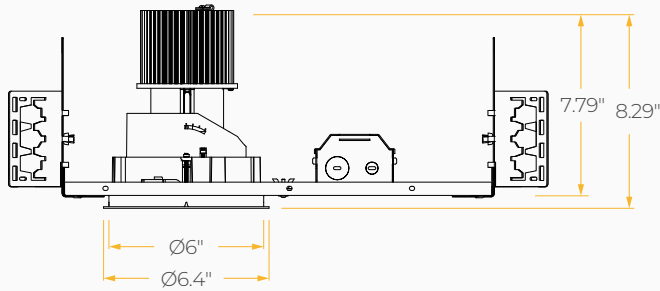
Square Flangeless Trim

DIMENSIONS

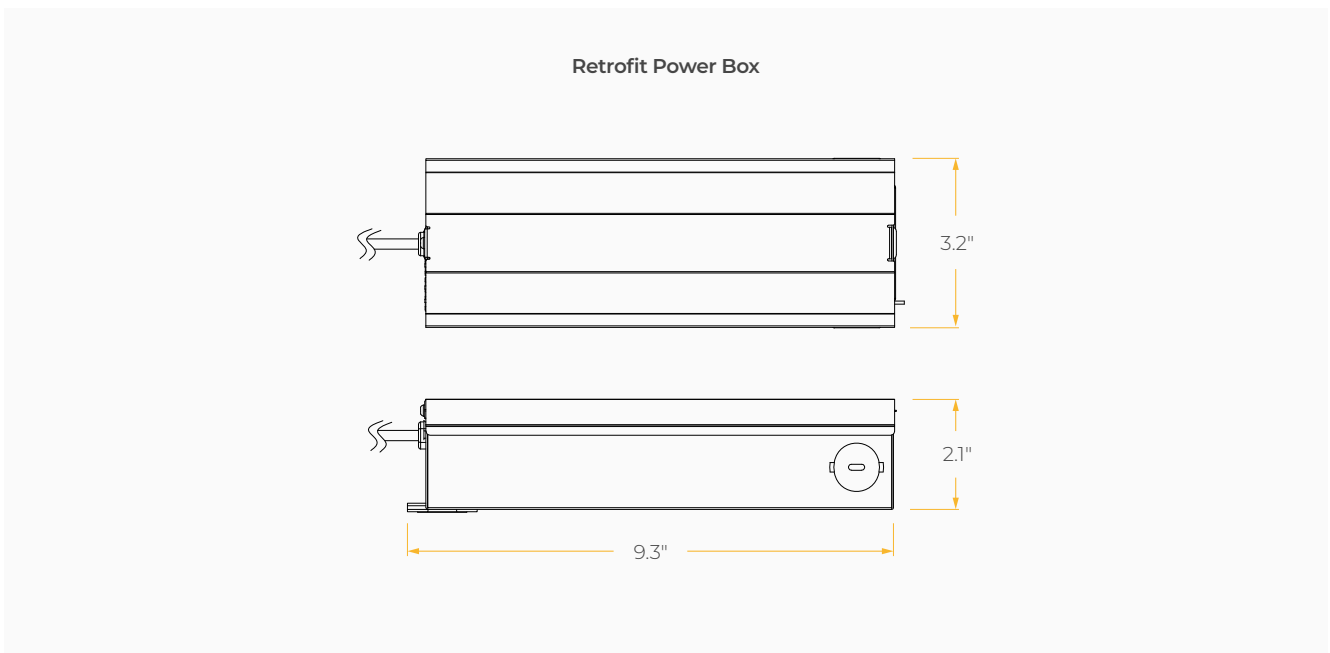
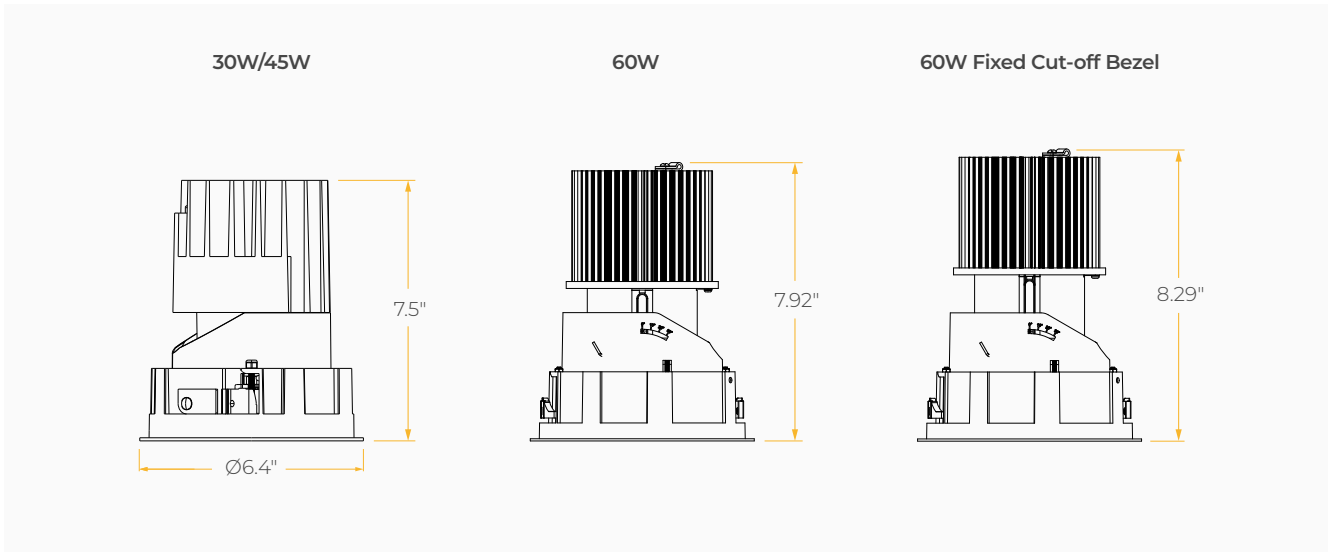


DIMENSIONS

New Construction



DIMENSIONS



DIMENSIONS

