

BOLT

HIGH PERFORMING FLOODLIGHT LUMINAIRE

SPECIFICATION SHEET
STATIC WHITE

Housing

Diameter : 7.87" x 17.68" x 11.68" | Weight : 24.25 lbs

Material

Housing : High Pressure Die-Cast Aluminum, Tempered Glass
Lens : PC Lens

Power Input

220W, 280W, 440W, 560W | 120-277V, 347-480V

Lumen Output

29,700 lm (220W), 36,400 lm (280W), 53,000 lm (440W),
68,340 lm (560W)

Dimming

Standard 1-10V : Dims to 10%
DALI : Dims to 10%

Color Quality

CRI 75, CRI 85

Rated Life

> 100,000 Hours (L70)

Finish



Black



White



3000K



4000K



5000K

Color Temperature

Optics



30°



60°



Wide

Mounting



Stem
Mount



Bracket

EPA

1.434 ft² (220W/280W)

2.258 ft² (440W/560W)

2.085 ft² (220W/280W Glare Shield Visor)

2.929 ft² (440W/560W Glare Shield Visor)

Warranty

5 Year limited warranty

Listing



Unrivalled Performance and Versatility

The Bolt series are award-winning floodlights available in a single or dual module configuration that feature cutting-edge LED technology, a lumen package range of 29,700 lm to 68,340 lm.

Hidden under the hood of this sleek and rugged form, is a new light engine that offers static white, tunable white, and Archi-Color™ W+RGB dynamic color changing possibilities.



METEOR

meteor-lighting.com

SPECIFICATION SHEET / STATIC WHITE

BOLT HIGH PERFORMING FLOODLIGHT LUMINAIRE



SPECIFICATION

PROJECT NAME

DATE

CATALOG #

QUANTITY

The product configurator function on this page works only with the latest version of Chrome or Adobe Acrobat Reader.

BLT	MODEL	BOLT SERIES		
<input type="text"/>	WATTAGE	220 220W 560 560W	280 280W	440 440W
<input type="text"/>	CCT / CRI	308 3000K / CRI85	408 4000K / CRI85	507 5000K / CRI75
<input type="text"/>	VOLTAGE	UNV 120 – 277V	HVT 347 – 480V	
<input type="text"/>	DIMMING	STV Standard 1-10V dims to 10%	DALI DALI dims to 10%	
<input type="text"/>	BEAM ANGLE	30 30°	60 60°	WD¹ Wide
<input type="text"/>	FINISH	BLK Black	WHT White	
<input type="text"/>	MOUNTING	BRK Bracket DS2² Downlight Stem 2 ft UDS4² Up/Down Stem 4 ft	US2² Uplight Stem 2 ft DS4² Downlight Stem 4 ft	US4² Uplight Stem 4 ft UDS2² Up/Down Stem 2 ft
<input type="text"/>	ACCESSORIES	WG³ Wire Guard (IK10 Rating) DF⁶ Diffuser	GSB⁴ Glare Shield Baffle SLP⁷ Slipfitter (Black only)	GSV⁵ Glare Shield Visor EMP Remote Emergency Pack

CLEAR FORM

¹ WD option reduces delivered lumens by ~20%
² Option is not compatible with 220W, 280W
³ WG option reduces delivered lumens by ~14%
⁴ GSB option reduces delivered lumens by ~25%
⁵ GSV option reduces delivered lumens by ~15%
⁶ DF option reduces delivered lumens by ~12% (~20% with WD)
⁷ SLP is only compatible with BRK

TECHNICAL DETAILS

Electrical

- 29,700 lm (220W), 36,400 lm (280W), 53,000 lm (440W), 68,340 lm (560W)
- Power Input : Universal (120-277V); HVT (347-480V)
- Operating Temperature : -40°F~104°F
- Surge Protection : Built-in is 4KV

LED Features

- Color Temperature : 3000K, 4000K, 5000K
- CRI 75, CRI 85
- Long lasting LED luminaire tested under TM21 lumen maintenance L70 @ 100,000 Hrs

Optics

- Precision molded high transmittance clear PC lens
- Beam Angle : 30°, 60°, WD

Advanced Dimming

- Proprietary VX Driver™ is integrated across all dimming options, delivering video flicker-free performance and full compliance with IEEE 1789.
- Standard 1-10V : Dims to 10%
- DALI : Dims to 10%

EPA

- 220W / 280W : 1.434 ft²
- 440W / 560W : 2.258 ft²
- 220W / 280W (Glare Shield Visor) : 2.085 ft²
- 440W / 560W (Glare Shield Visor) : 2.929 ft²

Housing

- Diameter:
220W / 280W : 7.87" x 17.68" x 11.68"
440W / 560W : 11.68" x 19.35" x 16.5"
- Material : High Pressure Die-Cast Aluminum, Tempered Glass
- Weight :
220W / 280W : 24.25 lbs
440W / 560W : 48.5 lbs

Mounting

- Bracket
- Uplight Stem 2 ft / 4 ft
- Downlight Stem 2 ft / 4 ft
- Up/Down Stem 2 ft / 4 ft

Warranty

- 5-year limited warranty

Listing

- ETL Damp Location Listed
- CE
- UKCA
- FCC
- IK10

PERFORMANCE SUMMARY*

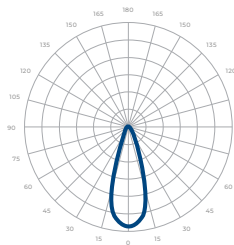
Delivered Lumens			
CCT/WATTAGE	3000K	4000K	5000K
220W	25,245lm	26,730lm	29,700lm
280W	30,940lm	32,760lm	36,400lm
440W	45,050lm	47,700lm	53,000lm
560W	58,090lm	61,500lm	68,340lm

Current Consumption		
WATTAGE / VOLT	120V	277V
220W	2.02A	0.87A
280W	2.57A	1.11A
440W	4.03A	1.75A
560W	5.13A	2.22A

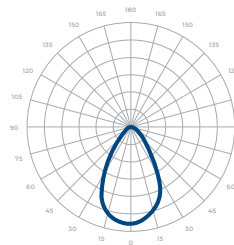
*Beam Angle: 60° *Tolerance ±8%

PHOTOMETRICS

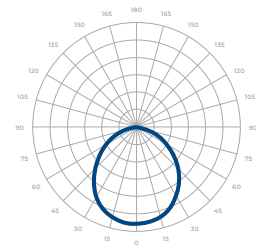
Below is a typical photometric representation of the Bolt fixture. Please download IES files to ensure exact photometric value.



30°



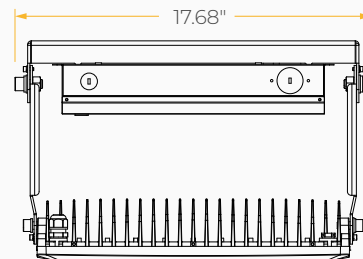
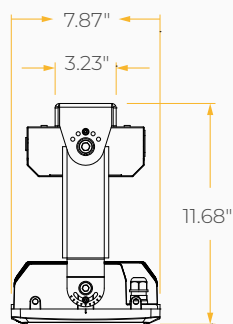
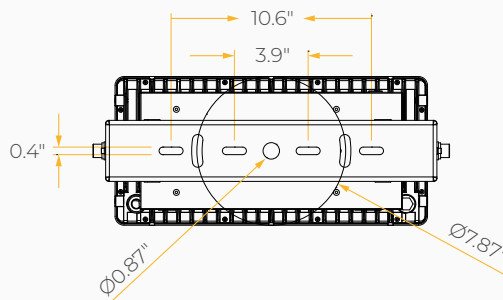
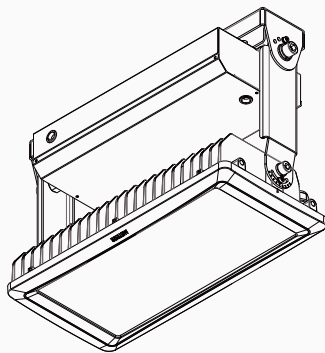
60°



WIDE

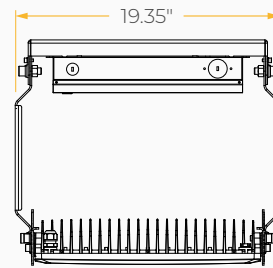
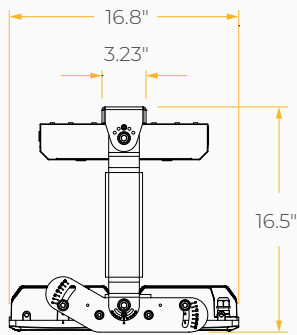
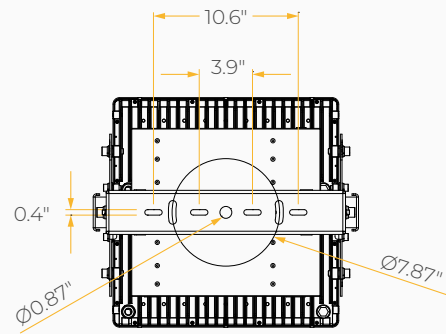
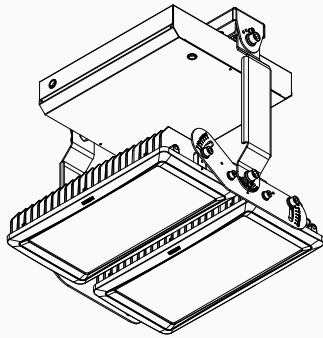
DIMENSIONS

220W / 280W



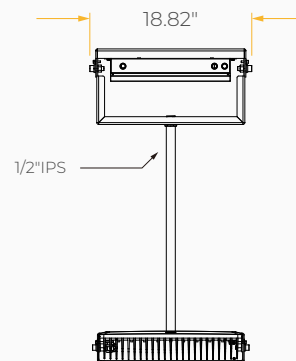
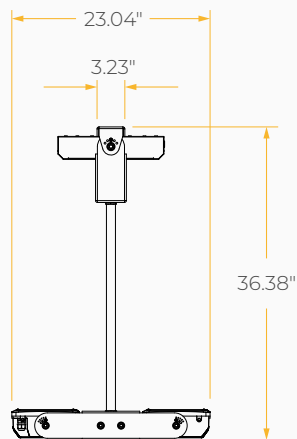
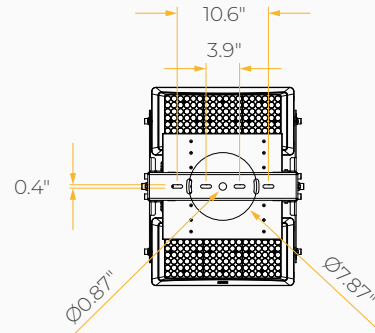
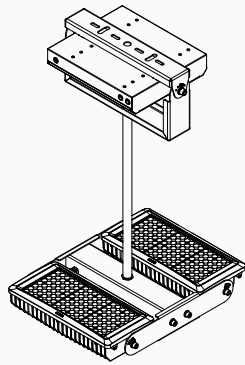
DIMENSIONS

440W / 560W



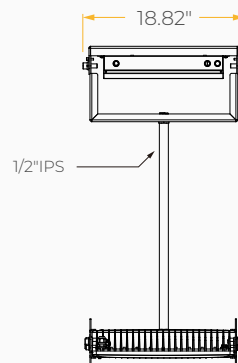
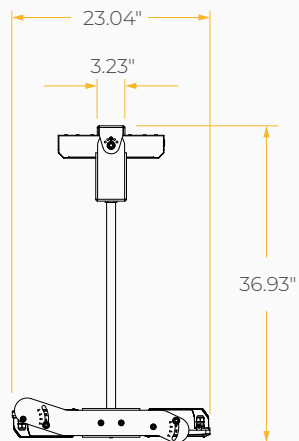
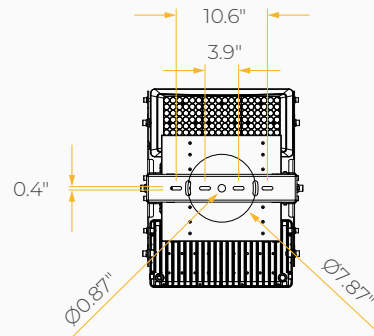
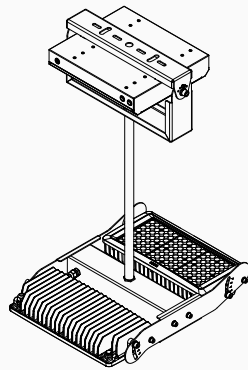
DIMENSIONS

Uplight Only & Downlight Only Stem - 2 ft(36.38") / 4 ft(60.38")



DIMENSIONS

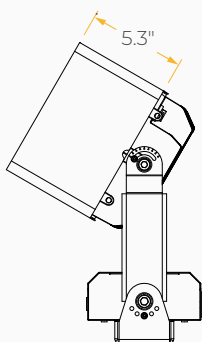
Up/Down Stem - 2 ft(36.93") / 4 ft(60.93")



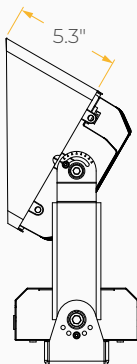
ACCESSORIES

220W / 280W

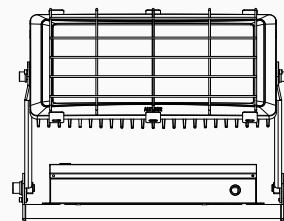
Glare Shield Baffle



Glare Shield Visor

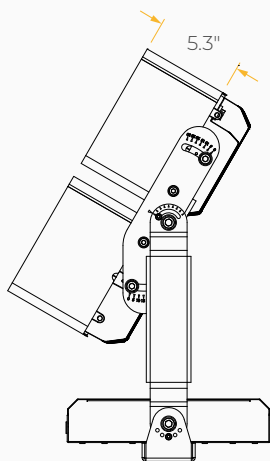


Wire Guard

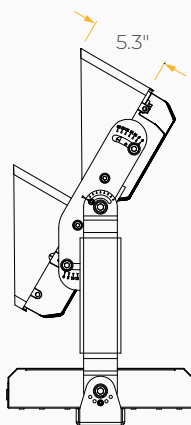


440W / 560W

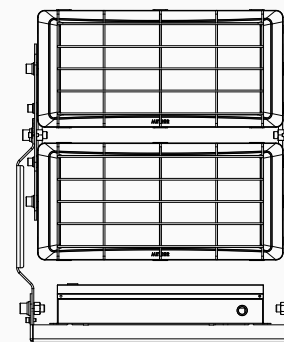
Glare Shield Baffle



Glare Shield Visor

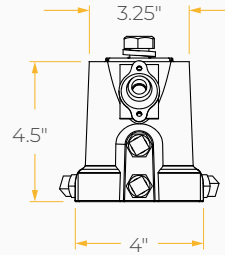
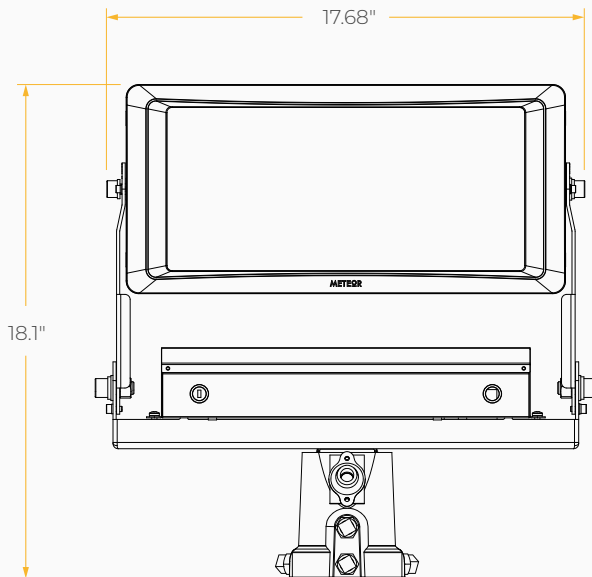


Wire Guard



ACCESSORIES

Slipfitter



Tenon slipfitter fits
2.375" to 2.875" OD tenon.

