

REV 8 PRIME

SPECIFICATION SHEET
STATIC WHITE

QUIET CEILING DESIGN HIGH LUMEN RECESSED DOWNLIGHT

Housing

Aperture : Ø9" | Oversize Trim : 9.13" | Ceiling Cutout : 8.25"
Maximum Ceiling Thickness : 1.5" | Height : 8.6"
Weight : 17.63 lbs/18.82 lbs (New Construction), 16.13 lbs (Retrofit)

Material

Housing : Forged Aluminum Heatsink
Reflector : Flow Forming Aluminum

Power Input

95W, 125W, 145W, 185W, 225W | 120V, 277V

Lumen Output

12,260 lm (95W), 16,130 lm (125W), 18,715 lm (145W), 23,880lm (185W),
28,000lm (225W)

Dimming

Superior 0-10V : dims to 1%, dims to dark
DMX : High resolution dims to 0.1%
TRC : Linear line-voltage phase control, dims to 1%
DALI : Dims to 10%

Color Quality

CRI 85, CRI 93

Rated Life

> 100,000 Hours (L70)

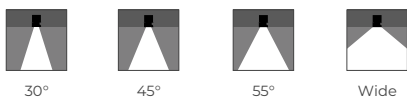
Finish



Color Temperature



Optics



Warranty

5 Year limited warranty

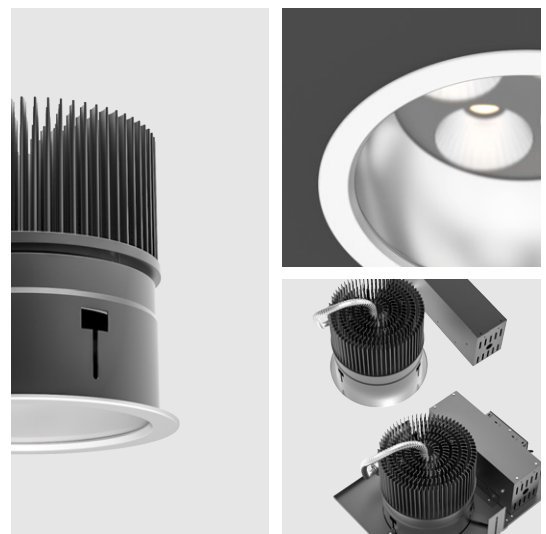
Listing



Precision Engineered For High Performance.

The REV series are a revolutionary range of 4, 6 and 8-inch aperture recessed downlights that feature a deep, double optical reflector design with high efficacy performance.

All downlights feature Colorflip™ Warm Dim, Tunable White and Archi-Color® W+RGB technology for a truly versatile range of applications, and are available in new construction and retrofit configurations.



METEOR

meteor-lighting.com

SPECIFICATION

PROJECT NAME

DATE

CATALOG #

QUANTITY

The product configurator function on this page works only with the latest version of Chrome or Adobe Acrobat Reader.

| | | | | |
|----------------------|--------------------|---|---|---|
| <input type="text"/> | MODEL | R8PN REV 8 Prime with New Construction Frame | R8PR REV 8 Prime Retrofit | |
| <input type="text"/> | WATTAGE | 95 95W 185 185W | 125 125W 225 225W | 145 145W |
| <input type="text"/> | CCT / CRI | 278 2700K / CRI 85 309 3000K / CRI 93 | 279 2700K / CRI 93 358 3500K / CRI 85 | 308 3000K / CRI 85 408 4000K / CRI 85 |
| <input type="text"/> | VOLTAGE | 120 120V | 277 277V | |
| <input type="text"/> | DIMMING | NOD Non-Dimming DMXR DMX dims to 0.1% (RJ45 Sockets) | SPV Superior 0-10V dims to 1%, dims to dark TRC ¹ Linear line-voltage phase control, dims to 1% | DMX DMX dims to 0.1% (XLR Sockets) DALI DALI dims to 10% |
| <input type="text"/> | BEAM ANGLE | 30 30° WD ² Wide (With diffuser) | 45 45° | 55 55° |
| <input type="text"/> | FINISH* | BLK Black | WHT White | |
| <input type="text"/> | ACCESSORIES | DF ³ Diffuser AWN ⁵ Lutron Athena Wireless Node Standalone Module GR14 ⁷ Goof Ring 9.2" to 16" SCA820 ⁸ Sloped Ceiling Adapter 18°-22° | SPD ⁴ Surge Protector NX ⁶ NX Radio Module Standalone Module SCA810 ⁸ Sloped Ceiling Adapter 8°-12° SCA825 ⁸ Sloped Ceiling Adapter 23°- 27° | EMP Remote Emergency Pack GR12 ⁷ Goof Ring 9.2" to 14" SCA815 ⁸ Sloped Ceiling Adapter 13°-17° 2CPL ⁹ 2' X 2' X 1" Custom Metal Ceiling Panel |

CLEAR FORM

¹ TRC is only compatible with 120V and is not compatible with 225

² WD option reduces delivered lumens by ~20%

³ DF option reduces delivered lumens by ~12% (~20% with WD)

⁴ Surge protector for up to 10KV. Applicable for unstable mains or facilities using high power machineries

⁵ AWN is not compatible with NOD, DMX, DMXR, TRC

⁶ NX is not compatible with NOD, DMX, DMXR, TRC, DALI

⁷ GR includes new reflector and is not compatible with R8PN

⁸ SCA is not compatible with R8PR

⁹ 2CPL is not compatible with R8PR, SCA810, SCA815, SCA820, SCA825

* Finish indicates trim only, with standard matte silver reflector

TECHNICAL DETAILS

Electrical

- 12,260 lm (95W), 16,130 lm (125W), 18,715 lm (145W)
23,880 lm (185W), 28,000 lm (225W)
- Power Input : 120V or 277V
- Operating Temperature : -40°F~112°F
- Surge Protection : Built-in is 4KV
- Emergency Pack with Mounting Plate : Philips Bodine
BSL20B2UEK55C111
- Power Factor Greater than 0.9

LED Features

- Color Temperature : 2700K, 3000K, 3500K, 4000K
- CRI 85, CRI 93
- Long lasting LED luminaire tested under TM21 lumen
maintenance L70 @ 100,000 Hrs

Optics

- Flow Forming Aluminum Reflector
- Beam Angle : 30°, 45°, 55°, WD (With diffuser)

Advanced Dimming

- Proprietary VX Driver™ is integrated across all dimming
options, delivering video flicker-free performance and full
compliance with IEEE 1789.
- Superior 0-10V : dims to 1%, dims to dark
- DMX : High resolution dims to 0.1% (Supports ANSI E1.20
RDM protocol)
- DALI : Dims to 10%
- **Not Compatible with 225W Option :**
- TRC : Linear line-voltage phase control, dims to 1% (120V only)

New Construction Housing

- Aperture : Ø8.15" (New Construction), Ø9" (Retrofit)
- Height : 8.6"
- Weight : 17.63 lbs/ 18.82 lbs (New Construction), 16.13 lbs
(Retrofit)
- Material : Forged Aluminum Heatsink
- Non-IC Rated, insulation must be kept >1ft from housing
- Oversize Trim : 8.46" (New Construction), 9.13" (Retrofit)
- Ceiling Cutout : 8.25"
- Maximum Ceiling Thickness : 1.5"
- Tool-less top access allows service from above and below
- Light engine, optics, and driver(s) accessible from below
ceiling
- Goof Ring 14" : Aluminum, standard white finish; O. D. 16";
other size and finish available, please inquire

*Note: C-Channel / Mounting Channels / T-Bar Hangers are
purchased from a third party

Warranty

- 5-year limited warranty

Listing

- ETL Damp Location Listed
- FCC
- CE
- UKCA

PERFORMANCE SUMMARY*

| Delivered Lumens | | | | | Current Consumption | | |
|------------------|----------|----------|----------|----------|---------------------|-------|-------|
| CCT/WATTAGE | 2700K | 3000K | 3500K | 4000K | WATTAGE / VOLT | 120V | 277V |
| 95W | 10,970lm | 11,615lm | 11,865lm | 12,260lm | 95W | 0.87A | 0.38A |
| 125W | 14,435lm | 15,285lm | 15,615lm | 16,130lm | 125W | 1.15A | 0.50A |
| 145W | 16,745lm | 17,730lm | 18,110lm | 18,715lm | 145W | 1.33A | 0.58A |
| 185W | 21,365lm | 22,620lm | 23,110lm | 23,880lm | 185W | 1.65A | 0.71A |
| 225W | 25,025lm | 26,530lm | 27,100lm | 28,000lm | 225W | 2.02A | 0.87A |

* Beam Angle 30° Tolerance ±8%

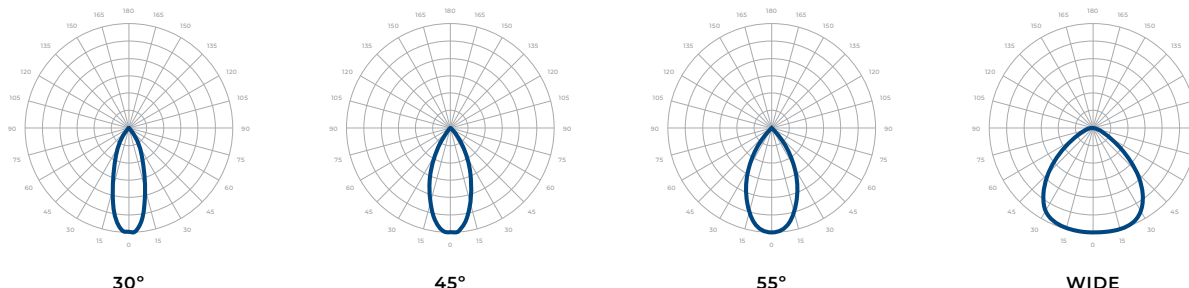
*For specifications requiring a CRI of 93, apply a 0.75 multiplier to the lumen output
values listed.

Emergency Pack Lumen Output Table

| CCT | 2700K | 3000K | 4000K |
|--------------|---------|---------|---------|
| LUMEN | 1,640lm | 1,760lm | 1,890lm |

PHOTOMETRICS

Below is a typical photometric representation of the Rev 8 Prime fixture. Please download IES files to ensure exact photometric value.

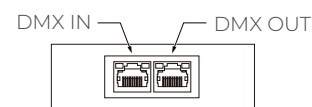


DMX REQUIREMENTS

The Rev 8 fixture with DMX is a **single channel dmx** unit. When placing an order, please indicate DMX address. (The DMX address will be listed on the back of the fixture). Do not connect more than 32 fixtures per DMX daisy chain.

The fixture can be connected with RJ45 or XLR sockets. DMX cables **are not** included; please refer to compatible DMX cabling list for more information. The final fixture on each daisy chain should be terminated by the use of a DMX terminator purchased from a 3rd party or from Meteor.

| CONNECTION | RJ45 (CAT5e) | 5-PIN XLR |
|------------|-----------------------------------|-----------|
| Common | WHITE/BROWN(PIN7) & BROWN (PIN 8) | PIN 1 |
| Signal - | ORANGE (PIN 2) | PIN 2 |
| Signal + | WHITE/ORANGE (PIN 1) | PIN 3 |
| Spare | - | PIN 4 |
| Spare | - | PIN 5 |



RJ45 Sockets



XLR Sockets

COMPATIBLE DMX CABLING LIST

DMX uses a cable consisting of two twisted pairs plus a shield to carry data. The cable must be specifically impedance matched for the digital DMX signal, meaning that microphone cable or other non-rated cable **must not be used to carry DMX**. Network cable (Cat5, 5e or 6 cable) may be used to carry DMX in an installation; however special consideration must be given to shielding and termination. Under no circumstances should solid core cable like Cat5 be terminated into a screw down connector.

Meteor recommends the use of Belden 9729 or Belden 9841 for DMX installation. Belden 9729/9841 is a two pair cable, which allows for a spare pair for 'out and back' type terminations if needed.

COMPATIBLE TRC DIMMER LIST

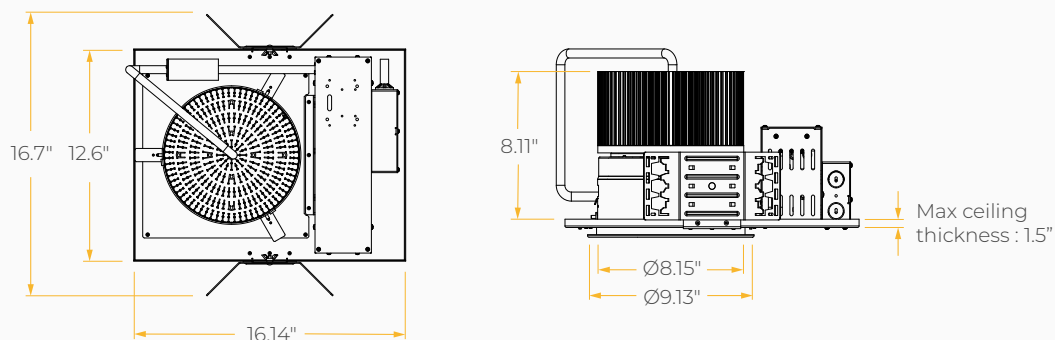
| PART NO. | | | | | |
|-------------------|------------------|------------------|-------------------|------------------|--------------------|
| Lutron DVCL-153P | Lutron TGCL-153P | Lutron S-600P | Lutron SELV-300P | Lutron CT-103P | Lutron DV603P |
| Lutron MAELV600 | Lutron FAELV500 | Lutron SCL-153P | Lutron MACL-153M | Lutron DVLV600P | Lutron RRD-6CL |
| Leviton IPI06-1LZ | Leviton VPE06 | Leviton 6673-10W | Leviton VPI06-ILT | Leviton 6161 | Leviton LGCL-153PL |
| Leviton IPL06 | Cooper DLC03P-W | Cooper SLC03P | Cooper DAL06P | Cooper AAL06A-C2 | |

COMPATIBLE LDE1 DIMMER LIST

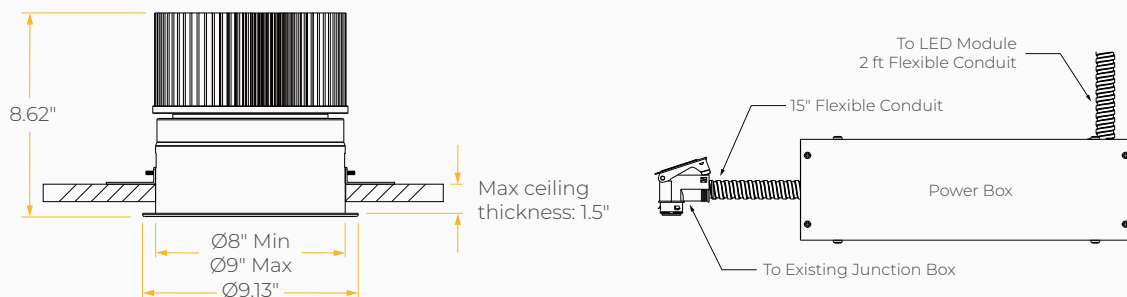
| LUTRON PART NO. | | | | | | |
|-----------------|--------------|------------|-------------|----------|---------|------------|
| RMJ-ECO32-DV-B | FCJ/FCJS-ECO | QSN-1ECO-S | QSN-2ECO-S | QSGRJ-_E | QSGR-_E | QP2-_ _ 2C |
| QP2-_ _ 4C | QP2-_ _ 6C | QP2-_ _ 8C | LQSE-2ECO-D | | | |

DIMENSIONS

New Construction

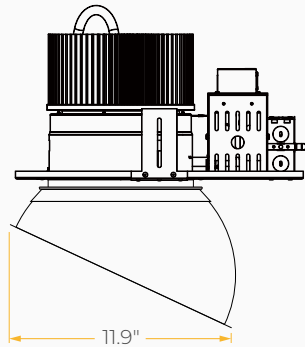


Retrofit

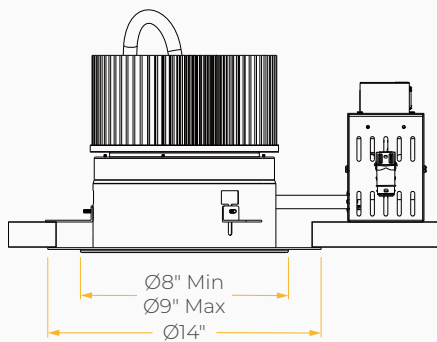


DIMENSIONS

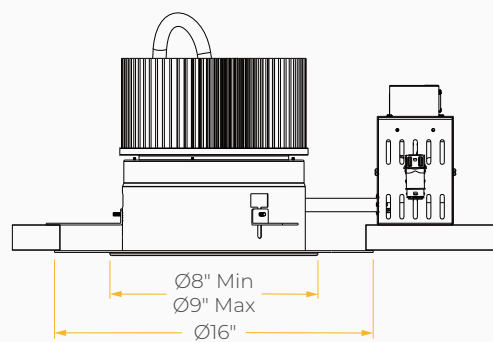
Sloped Ceiling Adapter



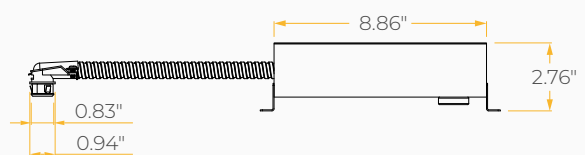
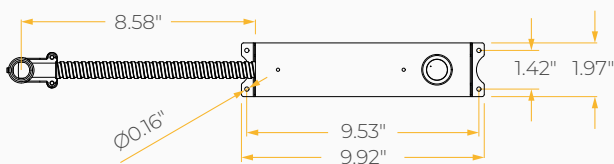
Goof Ring 12



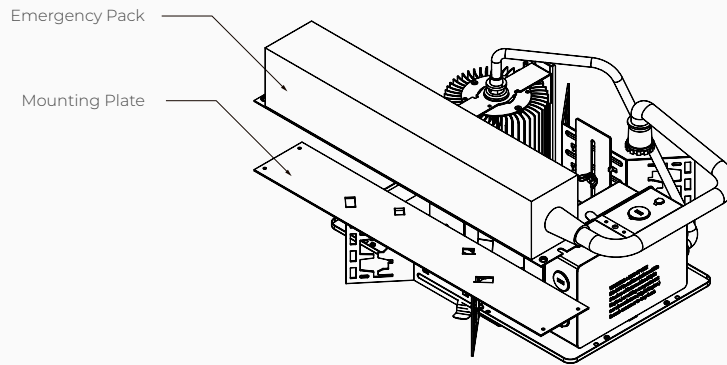
Goof Ring 14



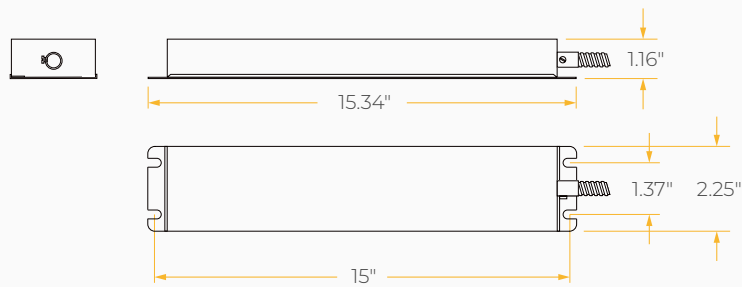
Lutron Athena Wireless Node / NX Radio Standalone Module



DIMENSIONS



Remote Emergency Pack



Custom Metal Ceiling Panel

