

VELA 6

SPECIFICATION SHEET
STATIC WHITE

HIGH PERFORMING CYLINDER
WITH SHROUD & DIFFUSER OPTIONS

Housing

Diameter : Ø6.4" | Height : 13.6" | Weight : 11.2 lbs

Material

Housing : High Pressure Die-Cast Aluminum Body, PC Shroud

Power Input

50W, 75W, 100W | 120-277V

Lumen Output

5,213 lm (50W), 7,821 lm (75W), 9,906 lm (100W)

Dimming

Standard 0-10V : Dims to 10%

TRC : Line-voltage phase control, dims to 1%

DALI : Dims to 10%

Color Quality

CRI 85

Rated Life

> 100,000 Hours (L70)

Finish



Black



White

Color Temperature



3000K



3500K



4000K

Optics



80°

Mounting



Stem
Mount



Adjustable
Cable



Surface
Mount

Warranty

5 Year limited warranty

Listing



All The Performance You Need In One Family

New high performing 6-inch aperture cylinder with lumen output of 5,213 lm – 9,906 lm.

Available in Aluminum Shrouds, Polycarbonate Shrouds, Translucent Polycarbonate Diffuser or Clear Polycarbonate Diffuser options.

Suitable for general illumination in a wide variety of project applications.



METEOR

meteor-lighting.com

SPECIFICATION

PROJECT NAME	<input type="text"/>	DATE	<input type="text"/>
CATALOG #	<input type="text"/>	QUANTITY	<input type="text"/>

The product configurator function on this page works only with the latest version of Chrome or Adobe Acrobat Reader.

<input type="text" value="VA6"/>	MODEL	VELA 6		
<input type="text"/>	WATTAGE	50 50W	75 75W	100 100W
<input type="text"/>	CCT / CRI	308 3000K / CRI 85	358 3500K / CRI 85	408 4000K / CRI 85
<input type="text" value="UNV"/>	VOLTAGE	UNV 120 – 277V		
<input type="text"/>	DIMMING	STV 0-10V dims to 10%	TRC ¹ Line-voltage phase control, dims to 1%	DALI ² DALI dims to 10%
<input type="text"/>	TYPE	STD Standard Cylinder ALS22 Aluminum Shroud 22" PCS22 Polycarbonate Shroud 22"	ALS16 Aluminum Shroud 16" PCS16 Polycarbonate Shroud 16" TPD Translucent Polycarbonate Diffuser	ALS19 Aluminum Shroud 19" PCS19 Polycarbonate Shroud 19" CPD Clear Polycarbonate Diffuser
<input type="text"/>	FINISH ³	BLK Black	WHT White	
<input type="text"/>	MOUNTING	SUM Surface Mount AD10 Adjustable Cable 10ft	ST2 Stem 2ft SAD10 Sloped Adjustable Cable 10ft	ST4 Stem 4ft
<input type="text"/>	ACCESSORIES	SPD ³ Surge Protector EMP Remote Emergency Pack AWN ⁹ Lutron Athena Wireless Node Standalone Module NXC ¹² NX Radio Module Canopy	CON ^{4,5} Conical Lens CT ⁷ Conduit Mount AWNC ¹⁰ Lutron Athena Wireless Node Canopy	ADB ⁶ Aluminum Diffuser Band FCS ⁸ Field Cut Stem Adapter Kit NX ¹¹ NX Radio Module Standalone Module

CLEAR FORM

¹ TRC is only compatible with 120V and 50W
² DALI is not compatible with 100W
³ Surge protector for up to 10KV. Applicable for unstable mains or facilities using high-power machineries
⁴ CON is not compatible with STD, TPD, CPD
⁵ CON option reduces delivered lumens by ~15%
⁶ ADB comes in the same color as the luminaire and is only available with PCS16
⁷ CT is not compatible with SUM
⁸ FCS is not compatible with SUM, AD10, SAD10
⁹ AWN is not compatible with TRC
¹⁰ AWNC is not compatible with TRC, SUM
¹¹ NX is not compatible with TRC, DALI
¹² NXC is not compatible with TRC, DALI, SUM

TECHNICAL DETAILS

Electrical

- 5,213 lm (50W), 7,821 lm (75W), 9,906 lm (100W)
- Power Input : Universal (120-277V)
- Operating Temperature : -13°F~112°F
- Surge Protection : Built-in is 4KV
- Remote Emergency Pack : Philips Bodine BSL20B2UEK55C111

LED Features

- Color Temperature : 3000K, 3500K, 4000K
- CRI ≥ 85
- Long lasting LED luminaire tested under TM21 lumen maintenance L70 @ 100,000 Hrs

Optics

- Beam Angle : 80°

Advanced Dimming

- Proprietary VX Driver™ is integrated across all dimming options, delivering video flicker-free performance and full compliance with IEEE 1789.
- Standard 0-10V dims to 10%
- TRC : Line-voltage phase control, dims to 1%
- DALI : Dims to 10%

Housing

- Diameter : Ø6.4"
- Material : High Pressure Die-Cast Aluminum, PC Shroud
- Height :
Standard - 13.6", Diffuser - 23.1"
Shroud 16" - 22.6"
Shroud 19" - 23.9"
Shroud 22" - 25.4"
- Weight :
Standard - 11.2 lbs, Diffuser - 12.6" lbs
Aluminum Shroud 16" - 14.1 lbs
Aluminum Shroud 19" - 17.2 lbs
Aluminum Shroud 22" - 21.2 lbs
Polycarbonate Shroud 16" - 13.2 lbs
Polycarbonate Shroud 19" - 16.3 lbs
Polycarbonate Shroud 22" - 18.3 lbs

Mounting

- Stem Mount 2ft or 4ft
- Surface Mount
- Adjustable Cable Mount 10ft
- Sloped Adjustable Cable Mount 10ft

Warranty

- 5-year limited warranty

Listing

- ETL Damp Location Listed
- FCC
- CE

PERFORMANCE SUMMARY*

STD (Standard)			
CCT/WATTAGE	3000K	3500K	4000K
50W	4,914lm	5,057lm	5,213lm
75W	7,372lm	7,586lm	7,821lm
100W	9,338lm	9,609lm	9,906lm

*Tolerance ±8%

PCS (Polycarbonate Shroud)			
CCT/WATTAGE	3000K	3500K	4000K
50W	5,587lm	5,749lm	5,927lm
75W	8,381lm	8,624lm	8,891lm
100W	10,614lm	10,923lm	11,261lm

*Tolerance ±8%

ALS (Aluminum Shroud)			
CCT/WATTAGE	3000K	3500K	4000K
50W	5,070lm	5,221lm	5,382lm
75W	7,601lm	7,827lm	8,069lm
100W	9,628lm	9,915lm	10,221lm

*Tolerance ±8%

TPD (Translucent Polycarbonate Diffuser)			
CCT/WATTAGE	3000K	3500K	4000K
50W	3,022lm	3,113lm	3,209lm
75W	4,578lm	4,717lm	4,862lm
100W	5,800lm	5,975lm	6,158lm

*Tolerance ±8%

PERFORMANCE SUMMARY*

CPD (Clear Polycarbonate Diffuser)			
CCT/WATTAGE	3000K	3500K	4000K
50W	3,864lm	3,975lm	4,085lm
75W	5,854lm	6,022lm	6,189lm
100W	7,415lm	7,628lm	7,840lm

EMP (Remote Emergency Pack)		
CCT	3000K	4000K
Lumen	1,865lm	1,980lm

*Tolerance ±8%

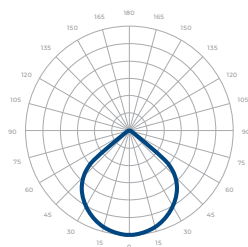
*Tolerance ±8%

Current Consumption		
WATTAGE / VOLT	120V	277V
50W	0.46A	0.20A
75W	0.68A	0.30A
100W	0.92A	0.40A

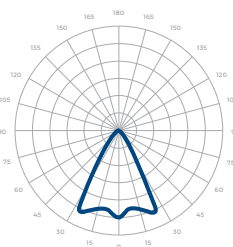
*Tolerance ±8%

PHOTOMETRICS

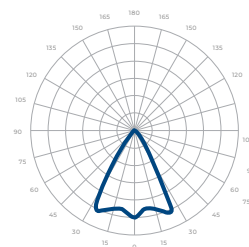
Below is a typical photometric representation of the Vela 6 fixture. Please download IES files to ensure exact photometric value.



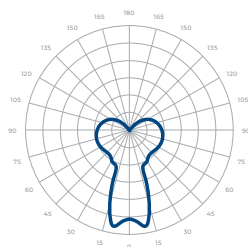
STD (STANDARD)



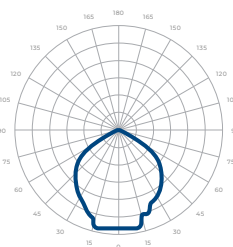
PCS (POLYCARBONATE SHROUD)



ALS (ALUMINUM SHROUD)



TPD (TRANSLUCENT POLYCARBONATE DIFFUSER)



CPD (CLEAR POLYCARBONATE DIFFUSER)

COLOR FINISH

Black Finish



White Finish



ACCESSORIES

Polycarbonate Shroud



Aluminum Shroud



Aluminum Diffuser Band



Aluminum Shroud
With Conical Lens



Clear Polycarbonate Diffuser

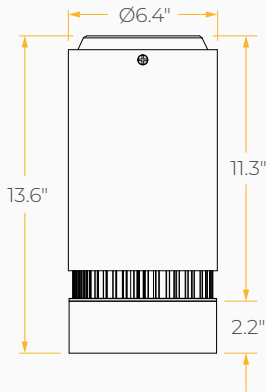


Translucent Polycarbonate Diffuser

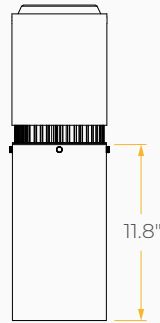


DIMENSIONS

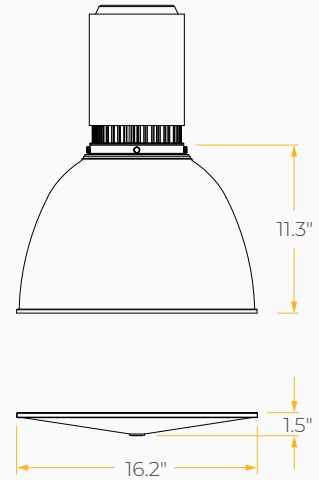
Standard Cylinder



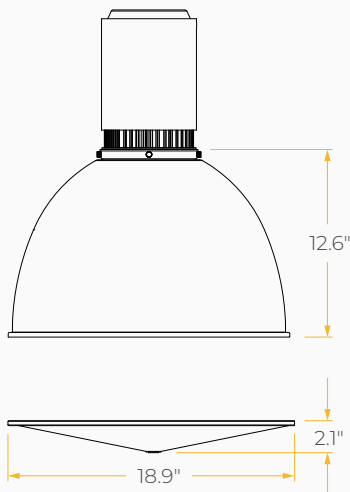
Clear Polycarbonate Diffuser / Translucent Polycarbonate Diffuser



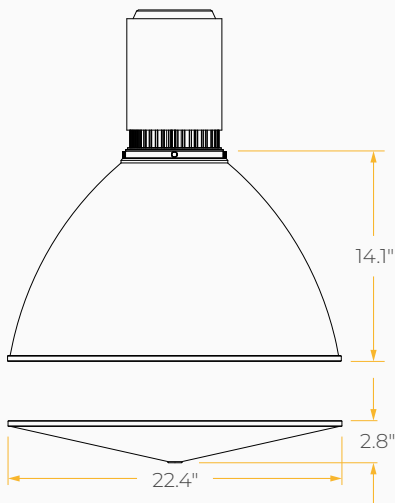
Aluminum Shroud / Polycarbonate Shroud 16"



Aluminum Shroud / Polycarbonate Shroud 19"

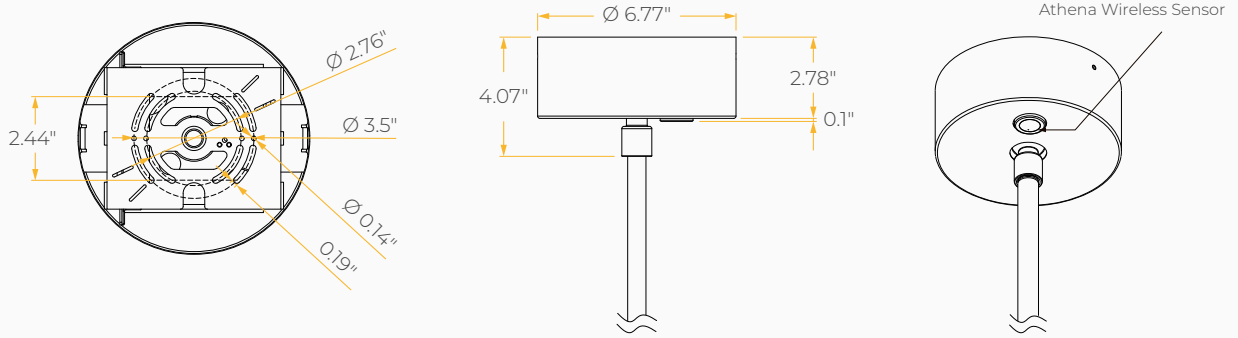


Aluminum Shroud / Polycarbonate Shroud 22"

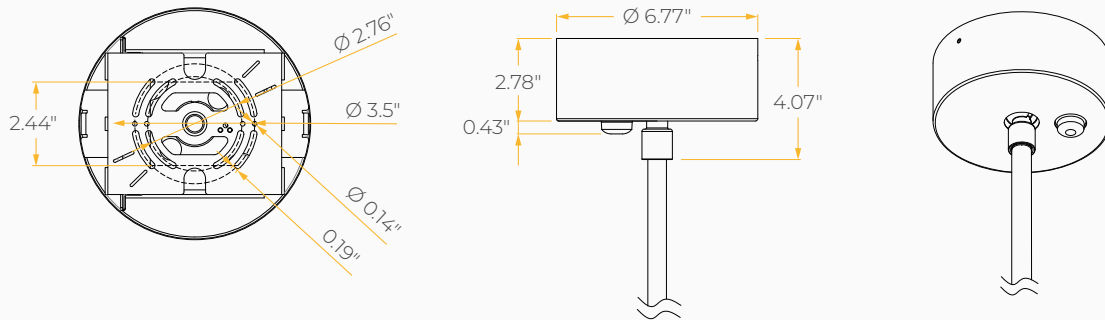


DIMENSIONS

Lutron Athena Wireless Node Canopy



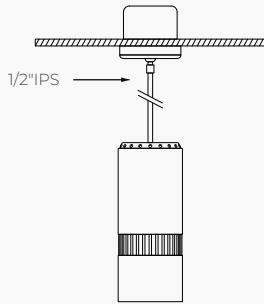
NX Radio Node Canopy



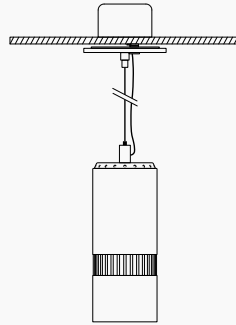
MOUNTING OPTIONS*

*Junction Box not included

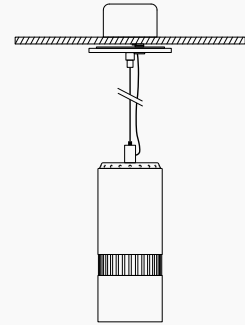
Stem Mount



Adjustable Cable Mount



Sloped Adjustable Cable Mount



Surface Mount

