

BOLT MINI

HIGH PERFORMING AND COMPACT LUMINAIRE FOR GREATER HEIGHTS

Housing

Diameter : 4.14" x 11" x 9.06" | Weight : 9.7 lbs

Material

Housing : High Pressure Die-Cast Aluminum
Lens : Tempered Glass

Power Input

60W, 100W, 150W, 200W | 120-277V

Lumen Output

7,780 lm (60W), 11,850 lm (100W), 21,330 lm (150W), 26,295 lm (200W)

Dimming

Standard 1-10V : Dims to 10%
DALI : Dims to 10%

Color Quality

CRI 75, CRI 85

Rated Life

> 100,000 Hours (L70)

Finish



Black



White

Color Temperature



3000K



3500K



4000K



5000K

Optics



30°



60°



Wide

Mounting



Bracket

EPA

0.692 ft² (60W/100W)

0.719 ft² (150W/200W)

0.96 ft² (60W/100W Glare Shield Visor)

0.999 ft² (150W/200W Glare Shield Visor)

Warranty

5 Year limited warranty

Listing



High Efficacy Led Luminaire For General Illumination And High Ceilings

The all new Bolt Mini. A transformation for greater heights with new technologies, performance and optics. This mini version is compact, yet boasts a lumen package range of 7,780 lm - 26,295 lm, and is available in Outdoor and Natatorium rated options. The Bolt Mini – Outdoor version is perfect for a variety of project applications such as illuminating outdoor facades, natatoriums and for flood lighting.



SPECIFICATION SHEET / STATIC WHITE OUTDOOR

BOLT MINI HIGH PERFORMING AND COMPACT LUMINAIRE FOR GREATER HEIGHTS



SPECIFICATION

PROJECT NAME

DATE

CATALOG #

QUANTITY

The product configurator function on this page works only with the latest version of Chrome or Adobe Acrobat Reader.

BLTM	MODEL	BOLT MINI SERIES		
	WATTAGE	60 60W 200 200W	100 100W	150 150W
	CCT / CRI	308 3000K / CRI85 507 5000K / CRI75	358 3500K / CRI85	408 4000K / CRI85
UNV	VOLTAGE	UNV 120 – 277V		
	DIMMING	STV Standard 1-10V dims to 10%	DALI DALI dims to 10%	
	BEAM ANGLE	30 30°	60 60°	WD¹ Wide
	FINISH	BLK Black	WHT White	
BRK	MOUNTING	BRK Bracket		
	RATING	OUT² Outdoor Rating	NAT^{3,4} Natatorium Rating	
	ACCESSORIES	WG⁵ Wire Guard (IK10 Rating) DF⁸ Diffuser	GSB⁶ Glare Shield Baffle SLP Slipfitter (Black only)	GSV⁷ Glare Shield Visor

CLEAR FORM

¹ WD option reduces delivered lumens by ~20%
² Outdoor Rating: Coating and wiring will be changed to high UV resistant and corrosion resistant materials for long-term operation in outdoor environments
³ Natatorium Rating: Coating and sealant will be changed to high corrosion resistant materials to prevent damage from long-term exposure to chlorine vapors
⁴ NAT is not compatible with 30°, 60°
⁵ WG option reduces delivered lumens by ~14%
⁶ GSB option reduces delivered lumens by ~40%
⁷ GSV option reduces delivered lumens by ~25%
⁸ DF option reduces delivered lumens by ~12% (~20% with WD)

TECHNICAL DETAILS

Electrical

- 7,780 lm (60W), 11,850 lm (100W), 21,330 lm (150W), 26,295 lm (200W)
- Power Input : Universal (120-277V)
- Operating Temperature : -40°F~104°F
- Surge Protection : Built-in is 4KV

LED Features

- Color Temperature : 3000K, 3500K, 4000K, 5000K
- CRI 75, CRI 85
- Long lasting LED luminaire tested under TM21 lumen maintenance L70 @ 100,000 Hrs

Optics

- Precision molded high transmittance clear PC lens
- Beam Angle : 30°, 60°, Wide

Advanced Dimming

- Proprietary VX Driver™ is integrated across all dimming options, delivering video flicker-free performance and full compliance with IEEE 1789.
- Standard 1-10V : Dims to 10%
- DALI : Dims to 10%

EPA

- 60W / 100W : 0.692 ft²
- 150W / 200W : 0.719 ft²
- 60W / 100W (Glare Shield Visor) : 0.96 ft²
- 150W / 200W (Glare Shield Visor) : 0.999 ft²

Housing

- Diameter :
60W / 100W : 4.14" x 11" x 9.06"
150W / 200W : 8.26" x 11.41" x 9.05"
- Material : High Pressure Die-Cast Aluminum, Tempered Glass
- Weight :
60W / 100W : 9.7 lbs
150W / 200W : 14.6 lbs

Mounting

- Bracket

Warranty

- 5-year limited warranty

Listing

- ETL Damp Location Listed
- FCC
- CE
- IP 65
- IK10

PERFORMANCE SUMMARY*

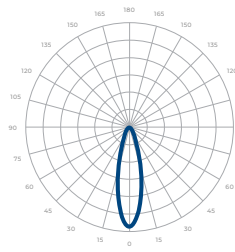
	Delivered Lumens			
CCT/WATTAGE	3000K	3500K	4000K	5000K
60W	6,930lm	7,200lm	7,170lm	7,780lm
100W	10,535lm	10,800lm	10,990lm	11,850lm
150W	18,355lm	19,000lm	19,125lm	21,330lm
200W	22,950lm	23,800lm	23,990lm	26,295lm

*Beam Angle: 60° *Tolerance ±8%

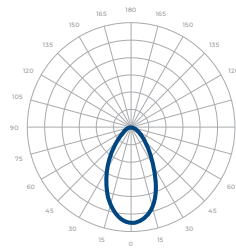
	Current Consumption	
WATTAGE / VOLT	120V	277V
60W	0.55A	0.22A
100W	0.92A	0.4A
150W	1.38A	0.6A
200W	1.83A	0.8A

PHOTOMETRICS

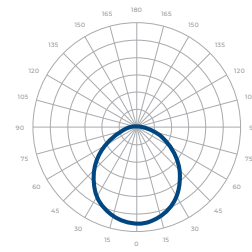
Below is a typical photometric representation of the Bolt Mini fixture. Please download IES files to ensure exact photometric value.



30°



60°

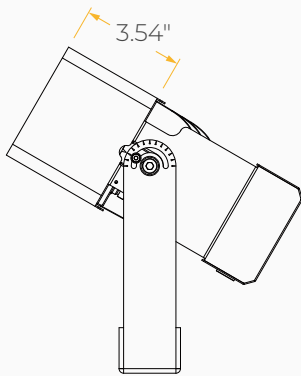


WIDE

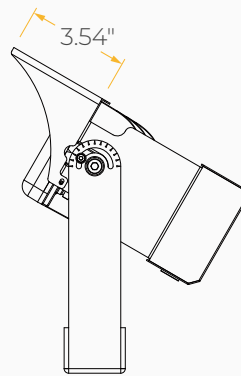
ACCESSORIES

60W / 100W

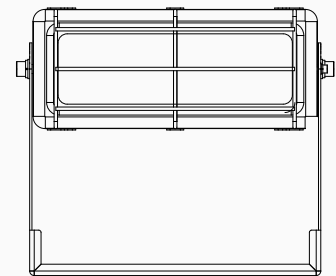
Glare Shield Baffle



Glare Shield Visor

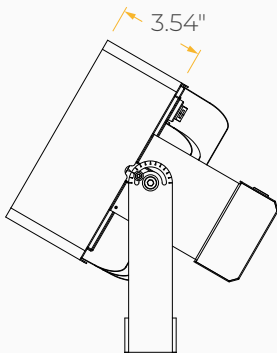


Wire Guard

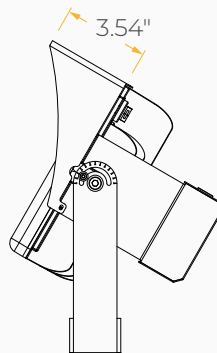


150W / 200W

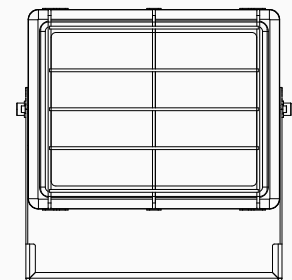
Glare Shield Baffle



Glare Shield Visor



Wire Guard

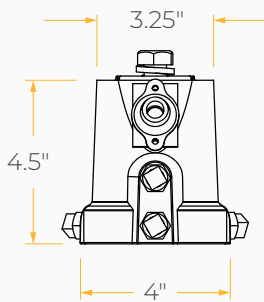
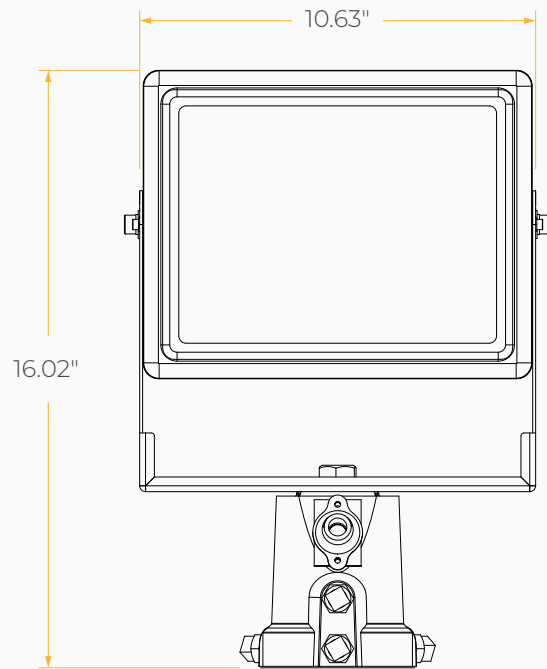
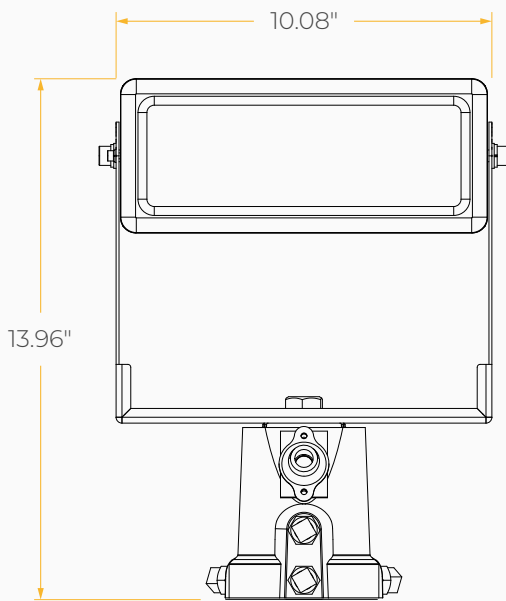


ACCESSORIES

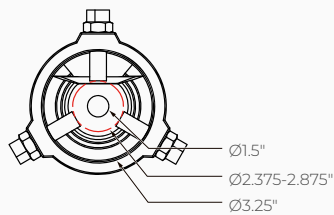
Slipfitter

60W / 100W

150W / 200W

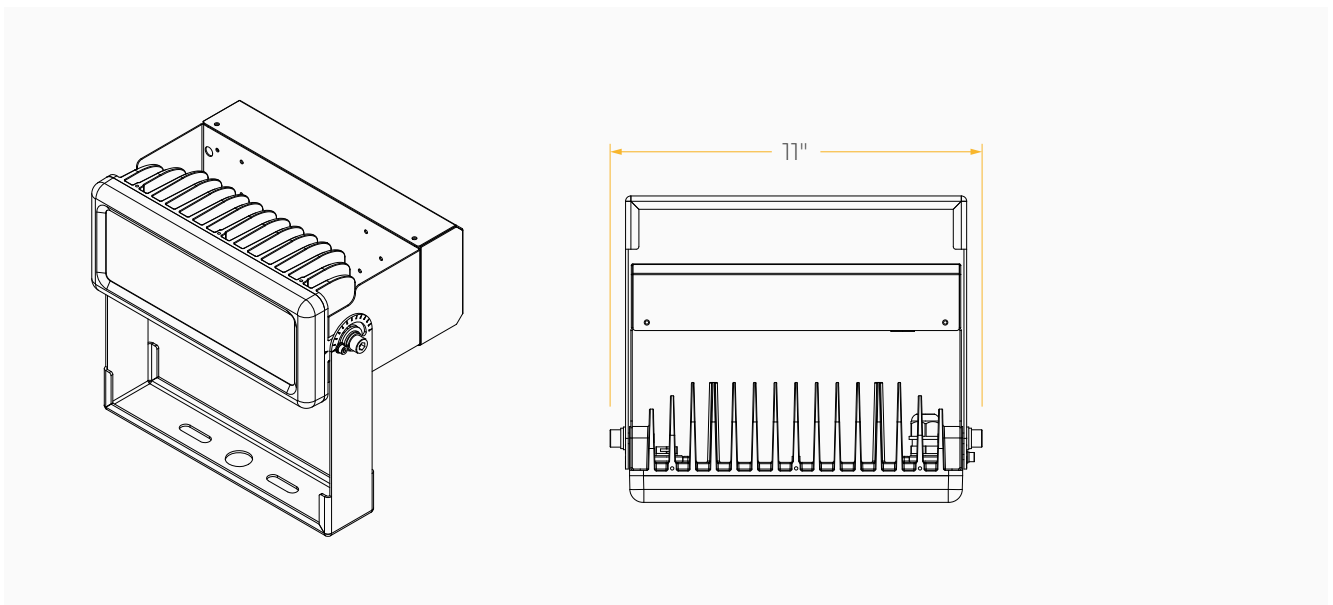
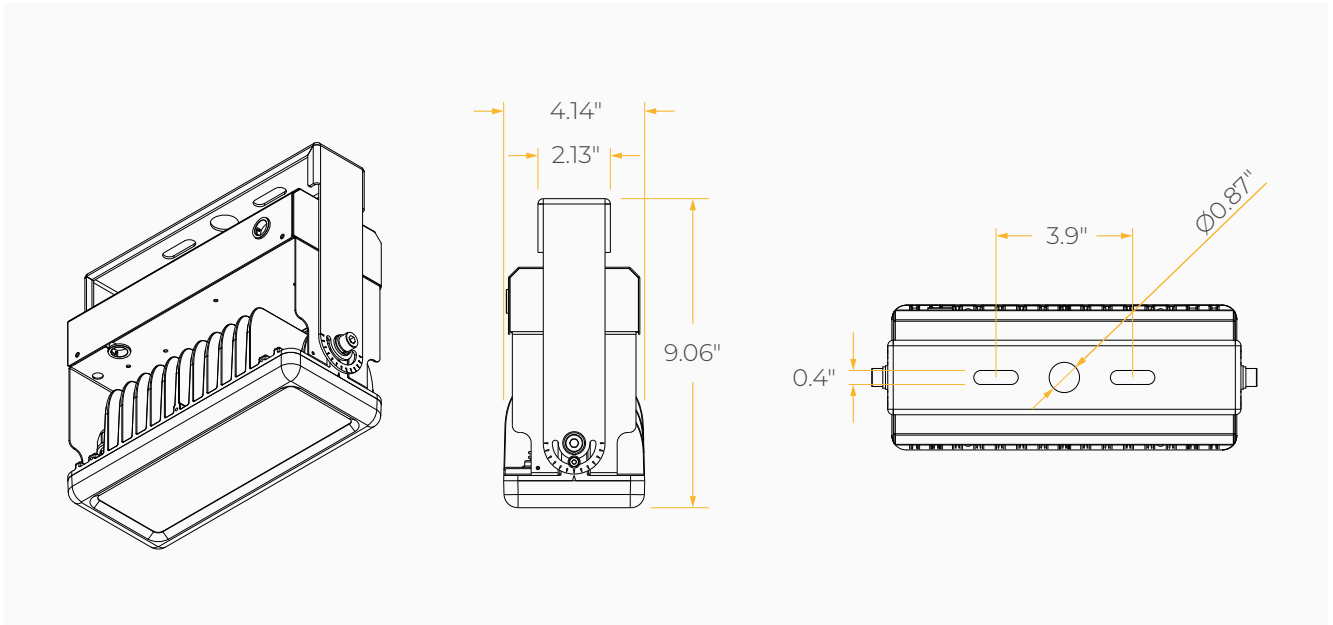


Tenon slipfitter fits 2.375" to 2.875" OD tenon.



DIMENSIONS

60W / 100W



DIMENSIONS

150W / 200W

