

TETRISS 2.0

SPECIFICATION SHEET
STATIC WHITE OUTDOOR

MODULAR HIGH CEILING LUMINAIRE

Housing

Diameter : 17.1"x5.7" | Weight : 18 lbs

Material

Housing : High Pressure Die-Cast Aluminum, Tempered Glass

Lens : Precision molded high transmittance clear PC lens

Power Input

200W, 400W, 600W | 120-277V, 347-480V

Lumen Output

20,100 lm (200W), 40,200 lm (400W), 60,300 lm (600W)

Dimming

Standard 0-10V : dims to 10%

Color Quality

CRI 75, CRI 85

Rated Life

> 100,000 Hours (L70)

Finish



Black

Color Temperature



3000K



4000K



5000K

Optics



25°



40°



60°

Mounting



Bracket

EPA

1.21 ft² (200W), 2.12 ft² (400W), 2.69 ft² (600W)

Warranty

5 Year limited warranty

Listing



METEOR

Scalable Lighting with Maximum Flexibility

Highly modular and adaptable, its lumen package range extends from 20,100 lm to an impressive 60,300 lm, offering both white and RGB modules for diverse lighting effects. Boasting a robust design, it excels in advanced high-ceiling applications, whether indoors, outdoors, or in demanding natatorium environments. Complementing its versatility, the fixture allows for precise control over light direction with a 60-degree rotation and 180-degree tilt capability.



SPECIFICATION

PROJECT NAME

DATE

CATALOG #

QUANTITY

The product configurator function on this page works only with the latest version of Chrome or Adobe Acrobat Reader.

TSW	MODEL	TETRISS 2.0 SOLID WHITE		
	WATTAGE	200 200W	400 400W	600 600W
	CCT / CRI	308 3000K / CRI 85	408 4000K / CRI 85	507 5000K / CRI 75
	VOLTAGE	UNV 120-277V	HVT 347-480V	
STV	DIMMING	STV Standard 0-10V dims to 10%		
	BEAM ANGLE	25 25°	40 40°	60 60°
BLK	FINISH	BLK Black		
BRK	MOUNTING	BRK Bracket Mount		
	RATING	OUT ¹ Outdoor Rating	NAT ² Natatorium Rating	
	ACCESSORIES	GSB ³ Glare Shield Baffle	GSV ⁴ Glare Shield Visor	

CLEAR FORM

¹ Outdoor Rating: Coating and wiring will be changed to high UV resistant and corrosion resistant materials for long-term operation in outdoor environments
² Natatorium Rating: Coating and sealant will be changed to high corrosion resistant materials to prevent damage from long-term exposure to chlorine vapors
³ GSB option reduces delivered lumens by ~25%
⁴ GSV option reduces delivered lumens by ~25%

TECHNICAL DETAILS

Electrical

- 20,100 lm (200W), 40,200 lm (400W), 60,300 lm (600W)
- Power Input : 120-277V, 347-480V
- Operating Temperature : -40°F~104°F
- Surge Protection : Built-in is 4KV

LED Features

- Color Temperature : 3000K, 4000K, 5000K
- CRI 75, CRI 85
- Long lasting LED luminaire tested under TM21 lumen maintenance L70 @ 100,000 Hrs
- Lumen Maintenance > 0.90 at 60,000 hours

Optics

- Precision molded high transmittance clear PC lens
- Beam Angle : 25°, 40°, 60°

Advanced Dimming

- Proprietary VX Driver™ is integrated across all dimming options, delivering video flicker-free performance and full compliance with IEEE 1789.
- Standard 0-10V : Dims to 10%

Housing

- Weight : 18 lbs (200W), 37.48 lbs (400W), 57.3 lbs (600W)
- Material : High Pressure Die-Cast Aluminum, Tempered Glass

Mounting

- Bracket Mount
(AC/Dimming cable length: Standard / 6ft)

EPA

- 200W : 1.21 ft² / 400W: 2.12 ft² / 600W: 2.69 ft²

Warranty

- 5-year limited warranty

Listing

- ETL Wet Location Listed
- CE
- IP 65

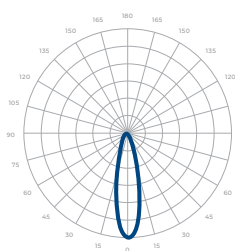
PERFORMANCE SUMMARY*

Delivered Lumens			
CCT/WATTAGE	3000K	4000K	5000K
200W	16,600lm	17,700lm	20,100lm
400W	33,200lm	35,400lm	40,200lm
600W	49,600lm	53,010lm	60,300lm

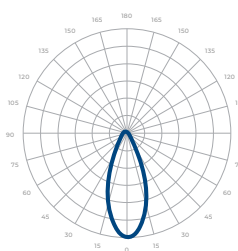
*Tolerance ±8%

PHOTOMETRICS

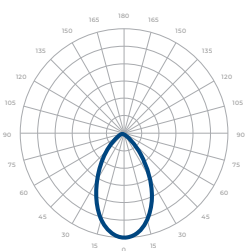
Below is a typical photometric representation of the Tetriss 2.0 fixture. Please download IES files to ensure exact photometric value.



25°



40°



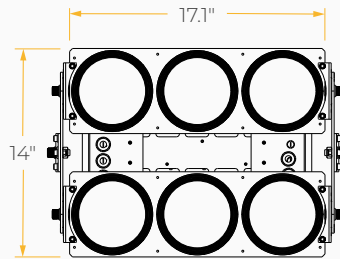
60°

DIMENSIONS

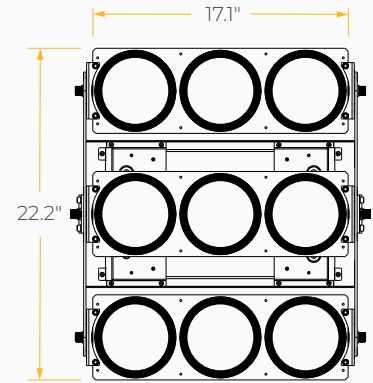
200W / 3 Modules



400W / 6 Modules

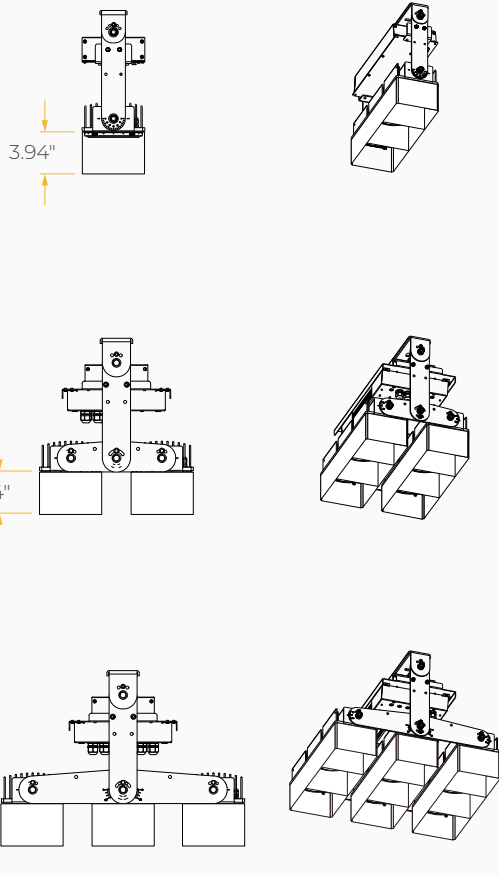


600W / 9 Modules

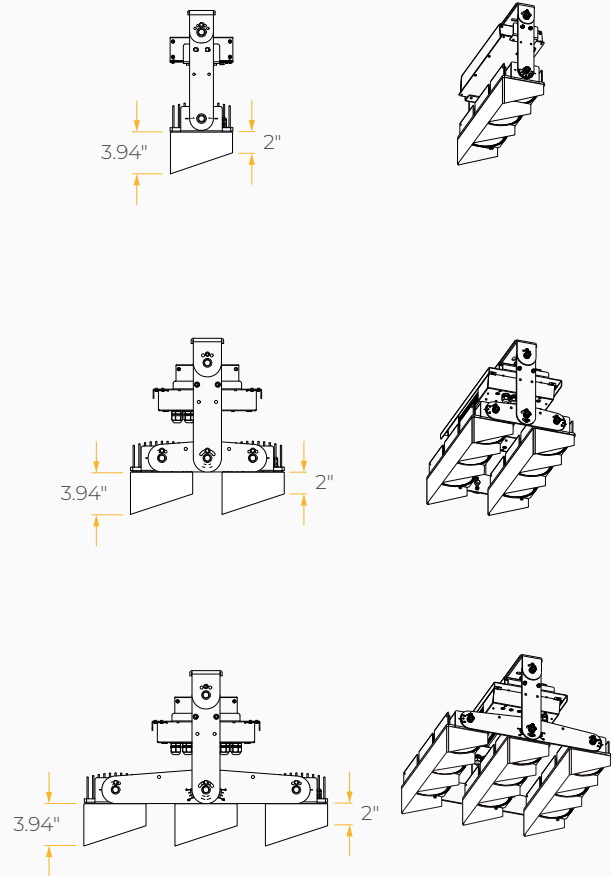


ACCESSORY

Glare Shield Baffle

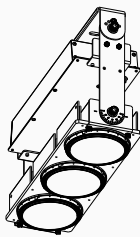
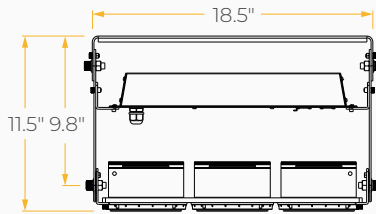


Glare Shield Visor

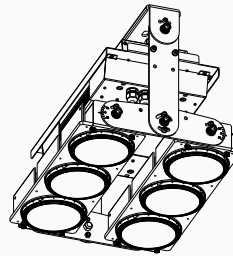
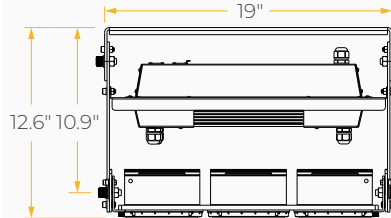


MOUNTING OPTIONS

Bracket Mount / 3 Modules



Bracket Mount / 6 Modules



Bracket Mount / 9 Modules

