

SIGNUM 8

SPECIFICATION SHEET
STATIC WHITE

SLEEK AND AESTHETIC
HIGH CEILING CYLINDER

Housing

Diameter : Ø8.26" | Height : 9.25" | Weight : 11.02 lbs

Material

Housing : High Pressure Die-Cast Aluminum

Lens : Clear Polycarbonate

Power Input

45W | 120-277V

Lumen Output

4,220 lm (45W)

Dimming

Standard 0-10V : Dims to 10%

Superior 0-10V : Dims to 1%

DMX : High resolution dims to 0.1% (Supports ANSI E1.20 RDM protocol)

TRC : Line-voltage phase control, dims to 1% (120V only)

Color Quality

CRI 85

Rated Life

> 100,000 Hours (L70)

Finish



Black



White

Color Temperature



2700K



3000K



3500K



4000K



5000K

Optics



25°



40°



60°



Wide

Mounting



Stem
Mount



Adjustable
Cable



Surface
Mount



Wall
Mount



Yoke
Mount

Warranty

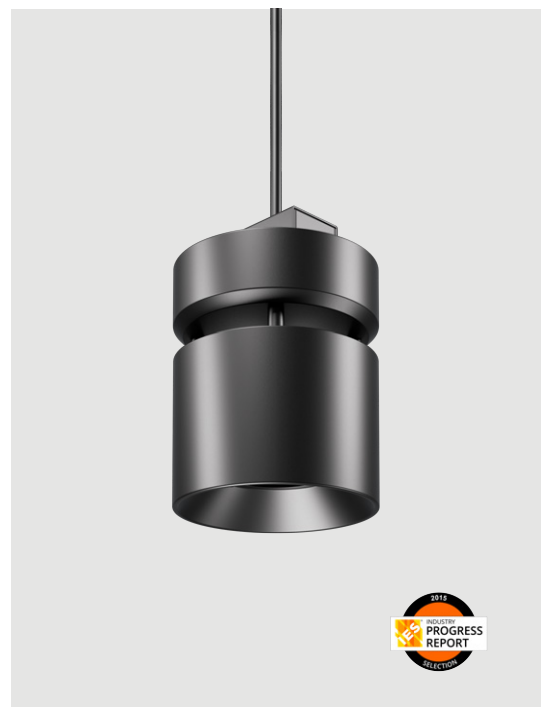
5 Year limited warranty

Listing



Dual Chamber Design For Maximum Performance

The Signum 8 is a 8-inch aperture cylinder that feature a lumen package of 4,220 lm. Compatible with a wide variety of mounting, dimming and optic selections. Perfect for general illumination and high ceiling applications.



SPECIFICATION

PROJECT NAME

DATE

CATALOG #

QUANTITY

The product configurator function on this page works only with the latest version of Chrome or Adobe Acrobat Reader.

<input type="text" value="SS8"/>	MODEL	SIGNUM 8		
<input type="text" value="45"/>	WATTAGE	45 45W		
<input type="text"/>	CCT / CRI	278 2700K / CRI 85 408 4000K / CRI 85	308 3000K / CRI 85 508 5000K / CRI 85	358 3500K / CRI 85
<input type="text" value="UNV"/>	VOLTAGE	UNV 120 – 277V		
<input type="text"/>	DIMMING	STV Standard 0-10V dims to 10% DMXR DMX dims to 0.1% (RJ45 Sockets)	SPV Superior 0-10V dims to 1% TRC ¹ Line-voltage phase control, dims to 1%	DMX DMX dims to 0.1% (XLR Sockets)
<input type="text"/>	BEAM ANGLE	25 25° WD Wide	40 40°	60 60°
<input type="text"/>	FINISH	BLK Black	WHT White	
<input type="text"/>	MOUNTING	SUM Surface Mount AD10 Adjustable Cable 10ft SAD10 Sloped Adjustable Cable 10ft	ST2 Stem 2ft WLM Wall Mount	ST4 Stem 4ft YKM Yoke Mount
<input type="text"/>	ACCESSORIES	SPD ² Surge Protector FCS ⁴ Field Cut Stem Adapter Kit	EMP Remote Emergency Pack	CT ³ Conduit Mount

¹ TRC is only compatible with 120V

² Surge protector for up to 10KV. Applicable for unstable mains or facilities using high power machineries

³ CT is not compatible with SUM, WLM, YKM

⁴ FCS is not compatible with SUM, WLM, YKM

TECHNICAL DETAILS

Electrical

- 4,220 lm (45W)
- Power Input : Universal (120-277V)
- Operating Temperature : -13°F~112°F
- Surge Protection : Built-in is 4KV
- Power Factor Greater than 0.9
- Remote Emergency Pack : Bodine BSL20B2UEK55C111

LED Features

- Color Temperature : 2700K, 3000K, 3500K, 4000K, 5000K
- CRI 85
- Long lasting LED luminaire tested under TM21 lumen maintenance L70 @ 100,000 Hrs

Optics

- Precision molded high transmittance clear PC lens
- Beam Angle : 25°, 40°, 60°, WD

Advanced Dimming

- Proprietary VX Driver™ is integrated across all dimming options, delivering video flicker-free performance and full compliance with IEEE 1789.
- Standard 0-10V : Dims to 10%
- Superior 0-10V : dims to 1%
- DMX : high resolution dims to 0.1% (Supports ANSI E1.20 RDM protocol)
- TRC : Line-voltage phase control, dims to 1% (120V only)

Housing

- Diameter : Ø8.26"
- Height : 9.25"
- Material : High Pressure Die-Cast Aluminum, PC Lens
- Weight : 11.02 lbs

Mounting

- Surface Mount
- Stem 2ft or 4ft; 37° Swivel Canopy Included
- Adjustable Cable 10ft
- Wall Mount
- Yoke Mount
- Sloped Adjustable Aircraft Cable 10ft

Warranty

- 5-year limited warranty

Listing

- ETL Dry Location Listed
- CE
- UKCA

PERFORMANCE SUMMARY*

Delivered Lumens					
CCT/WATTAGE	2700K	3000K	3500K	4000K	5000K
45W	3,230lm	3,350lm	3,490lm	3,770lm	4,220lm

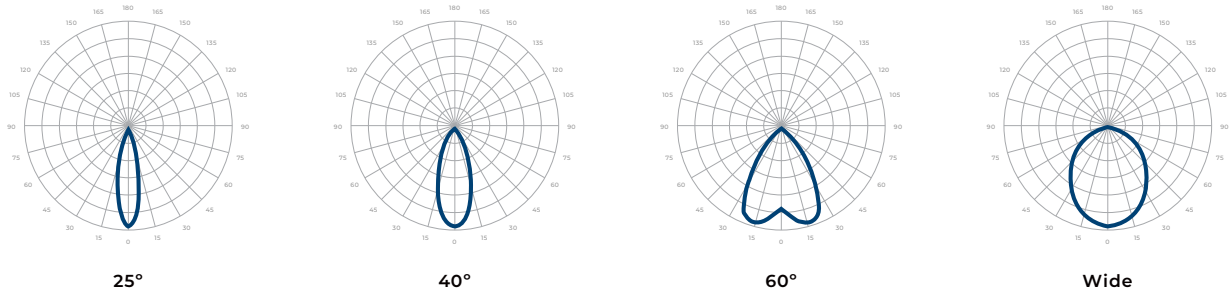
Current Consumption		
WATTAGE / VOLT	120V	277V
45W	0.47A	0.2A

*Beam Angle: 25° * Tolerance ±8%

Emergency Pack Lumen Output Table				
CCT	2700K	3000K	4000K	5000K
LUMEN	1,640lm	1,760lm	1,890lm	1,950lm

PHOTOMETRICS

Below is a typical photometric representation of the Signum 8 fixture. Please download IES files to ensure exact photometric value.

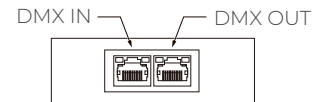


DMX REQUIREMENTS

The Signum 8 fixture with DMX is a **single channel dmx** unit. When placing an order, please indicate DMX address. (The DMX address will be listed on the back of the fixture). Do not connect more than 32 fixtures per DMX daisy chain.

The fixture can be connected with RJ45 or XLR sockets. DMX cables **are not** included; please refer to compatible DMX cabling list for more information. The final fixture on each daisy chain should be terminated by the use of a DMX terminator purchased from a 3rd party or from Meteor.

CONNECTION	RJ45 (CAT5e)	5-PIN XLR
Common	WHITE/BROWN(PIN7) & BROWN (PIN 8)	PIN 1
Signal -	ORANGE (PIN 2)	PIN 2
Signal +	WHITE/ORANGE (PIN 1)	PIN 3
Spare	-	PIN 4
Spare	-	PIN 5



RJ45 Sockets



DMX IN DMX OUT

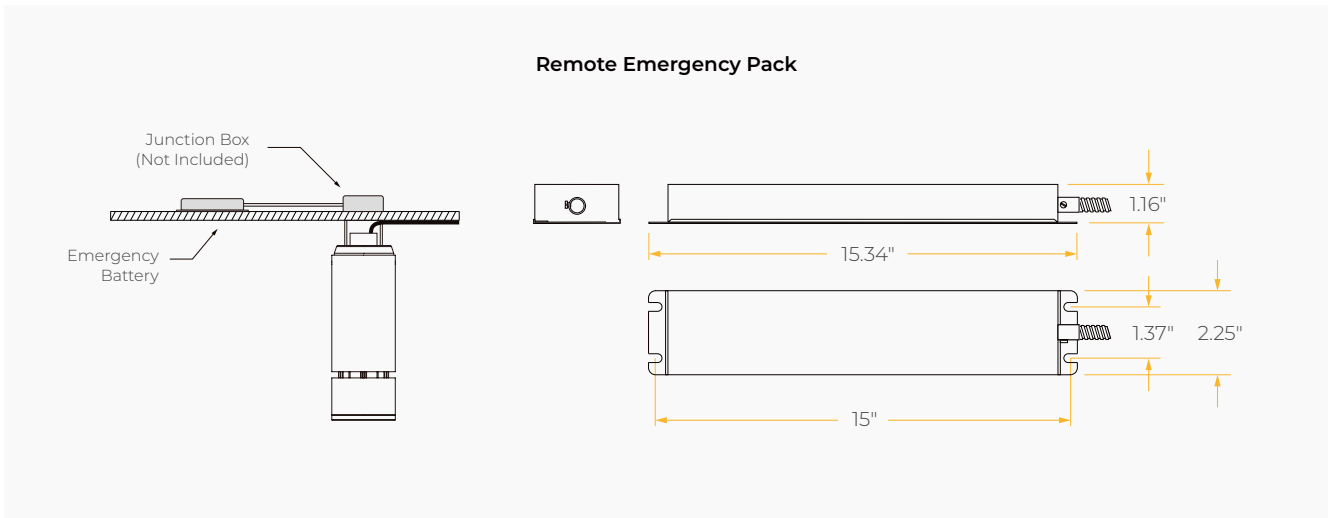
XLR Sockets

COMPATIBLE DMX CABLING LIST

DMX uses a cable consisting of two twisted pairs plus a shield to carry data. The cable must be specifically impedance matched for the digital DMX signal, meaning that microphone cable or other non-rated cable **must not be used to carry DMX**. Network cable (Cat5, 5e or 6 cable) may be used to carry DMX in an installation; however special consideration must be given to shielding and termination. Under no circumstances should solid core cable like Cat5 be terminated into a screw down connector.

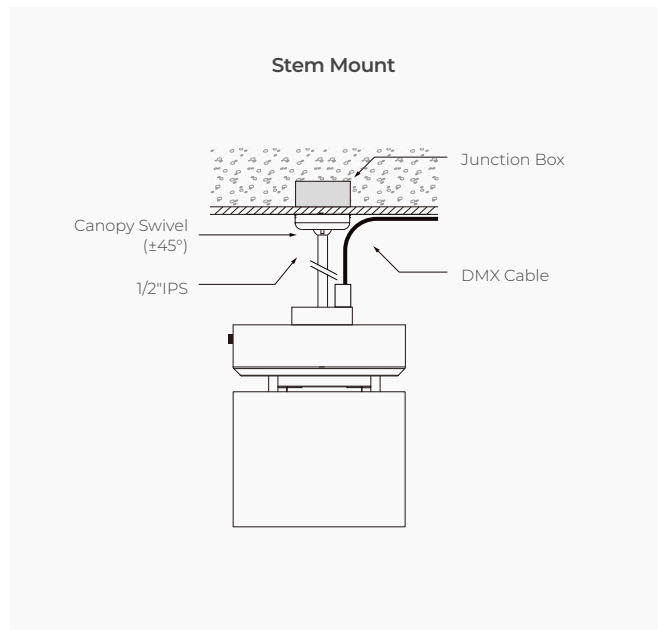
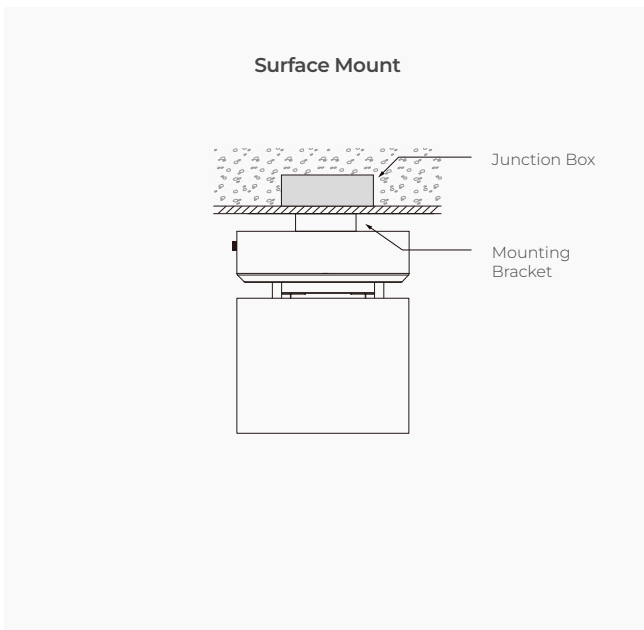
Meteor recommends the use of Belden 9729 or Belden 9841 for DMX installation. Belden 9729/9841 is a two pair cable, which allows for a spare pair for 'out and back' type terminations if needed. Below is a list of other compatible Belden cables.

DIMENSIONS



MOUNTING OPTIONS*

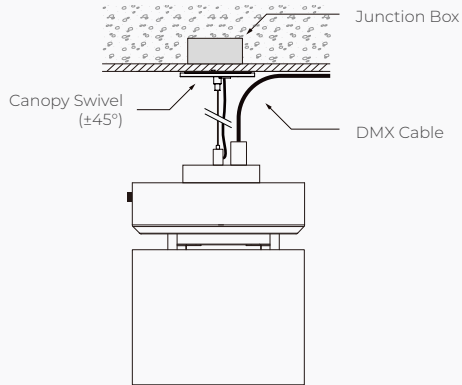
*Junction Box not included



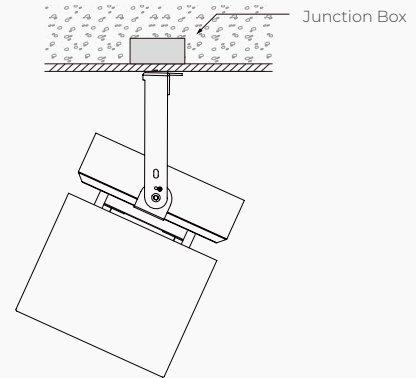
MOUNTING OPTIONS*

*Junction Box not included

Adjustable Cable



Yoke Mount



Wall Mount

