

# DEXT MINI 12

SPECIFICATION SHEET  
STATIC WHITE OUTDOOR

POWERFUL HIGH BAY LUMINAIRE  
UP TO 32,620 LUMEN PACKAGE

## Housing

Diameter : Ø13.4" | Height : 8.7" | Weight : 8.37 lbs

## Material

Housing : High Pressure Die-Cast Aluminum  
Lens : Clear Polycarbonate

## Power Input

150W, 200W, 240W | 120-277V

## Lumen Output

19,750 lm (150W), 26,350 lm (200W), 32,620 lm (240W)

## Dimming

Standard 0-10V : Dims to 10% with automatic shut-off when dimmed below 10%.

DALI : Dims to 10%

## Color Quality

CRI 70, CRI 85

## Rated Life

> 100,000 Hours (L70)

## Finish



Black



White

## Color Temperature



3000K



3500K



4000K



5000K

## Optics



60°



90°



Wide

## Mounting



Stem Mount



Adjustable Cable



Bracket Mount

## Warranty

5 Year limited warranty

## Listing

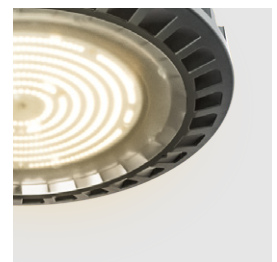


## High Efficacy Led Luminaire For General Illumination And High Ceilings

High performance durable luminaire for high ceiling applications up to 30 ft.

Delivering exceptional light levels at high operating temperatures with a delivered lumen package range of 19,750 lm to 32,620 lm.

Outdoor, wet location listed.



METEOR

[meteor-lighting.com](http://meteor-lighting.com)

**SPECIFICATION**

PROJECT NAME

DATE

CATALOG #

QUANTITY

The product configurator function on this page works only with the latest version of Chrome or Adobe Acrobat Reader.

<input type="text" value="DSM12"/>	MODEL	<b>DEXT MINI 12</b>		
<input type="text"/>	WATTAGE	<b>150</b> 150W	<b>200</b> 200W	<b>240<sup>1</sup></b> 240W
<input type="text"/>	CCT / CRI	<b>308</b> 3000K / CRI 85 <b>507</b> 5000K / CRI 70	<b>358</b> 3500K / CRI 85	<b>408</b> 4000K / CRI 85
<input type="text" value="UNV"/>	VOLTAGE	<b>UNV</b> 120 – 277V		
<input type="text"/>	DIMMING	<b>NOD</b> Non-Dimming	<b>STV</b> Standard 0-10V dims to 10%	<b>DALI</b> DALI dims to 10%
<input type="text"/>	BEAM ANGLE	<b>60</b> 60°	<b>90</b> 90°	<b>WD</b> Wide
<input type="text"/>	FINISH	<b>BLK</b> Black	<b>WHT</b> White	
<input type="text"/>	MOUNTING	<b>BRK</b> Bracket <b>AD10</b> Adjustable Cable 10ft	<b>ST2</b> Stem 2ft <b>SAD10</b> Sloped Adjustable Cable 10ft	<b>ST4</b> Stem 4ft
<input type="text"/>	RATING	<b>OUT<sup>2</sup></b> Outdoor Rating	<b>NAT<sup>3</sup></b> Natatorium Rating	
<input type="text"/>	ACCESSORIES	<b>SPD<sup>4</sup></b> Surge Protector <b>CON<sup>6</sup></b> Conical Lens	<b>ALS15<sup>5</sup></b> 15" Aluminum Shroud <b>WG<sup>5,7</sup></b> Wire Guard (IK10 Rating)	<b>PCS16<sup>5</sup></b> 16" PC Shroud <b>FCS<sup>8</sup></b> Field Cut Stem Adapter Kit

CLEAR FORM

<sup>1</sup> The 240W option features a different power box configuration (Page 5) and does not support DALI dimming  
<sup>2</sup> Surge protector for up to 10KV. Applicable for unstable mains or facilities using high power machineries  
<sup>3</sup> Only one option within this group can be specified  
<sup>4</sup> CON option reduces delivered lumens by ~15%, and CON is not compatible with ALS15, WG  
<sup>5</sup> WG option reduces delivered lumens by ~14%  
<sup>6</sup> FCS is not compatible with BRK, AD10, SAD10, OUT, NAT  
<sup>7</sup> Outdoor Rating: Coating and wiring will be changed to high UV resistant and corrosion resistant materials for long-term operation in outdoor environments  
<sup>8</sup> Natatorium Rating: Utilizes high corrosion-resistant materials for both coatings and sealants to prevent damage from long-term exposure to chlorine vapors

## TECHNICAL DETAILS

### Electrical

- 19,750 lm (150W), 26,350 lm (200W), 32,620 lm (240W)
- Power Input : Universal (120-277V)
- Operating Temperature : -22°F~113°F
- Surge Protection : Built-in is 4KV

### LED Features

- Color Temperature : 3000K, 3500K, 4000K, 5000K
- CRI 70, CRI 85
- Long lasting LED luminaire tested under TM21 lumen maintenance L70 @ 100,000 Hrs

### Optics

- Precision molded high transmittance clear PC lens
- Beam Angle : 60°, 90°, Wide

### Advanced Dimming

- Proprietary VX Driver™ is integrated across all dimming options, delivering video flicker-free performance and full compliance with IEEE 1789.
- Standard 0-10V : Dims to 10% with automatic shut-off when dimmed below 10%.
- DALI : Dims to 10%

### Housing

- Diameter : Ø13.4"
- Height : 8.7"
- Material : High Pressure Die-Cast Aluminum, PC Lens
- Weight : 8.37 lbs

### Mounting

- Stem 2ft or 4ft; 45° Swivel Canopy Included
- Adjustable Cable 10ft
- Bracket Mount

### Warranty

- 5-year limited warranty

### Listing

- ETL Wet Location Listed
- CE
- FCC
- IP65
- IK10

## PERFORMANCE SUMMARY\*

STD (Standard)				
CCT/WATTAGE	3000K	3500K	4000K	5000K
<b>150W</b>	18,200lm	18,880lm	19,400lm	19,750lm
<b>200W</b>	24,300lm	25,050lm	25,850lm	26,350lm
<b>240W</b>	30,070lm	31,000lm	32,000lm	32,620lm

\*Beam Angle: 90° \*Tolerance ±8%

PCS (PC Shroud)				
CCT/WATTAGE	3000K	3500K	4000K	5000K
<b>150W</b>	17,300lm	17,850lm	18,400lm	18,800lm
<b>200W</b>	23,050lm	23,800lm	24,550lm	25,050lm
<b>240W</b>	27,660lm	28,560lm	29,460lm	30,060lm

\*Beam Angle: 90° \*Tolerance ±8%

Current Consumption		
WATTAGE / VOLT	120V	277V
<b>150W</b>	1.25A	0.54A
<b>200W</b>	1.67A	0.72A
<b>240W</b>	2A	0.86A

SPECIFICATION SHEET / STATIC WHITE OUTDOOR  
**DEXT MINI 12** POWERFUL HIGH BAY LUMINAIRE  
 UP TO 32,620 LUMEN PACKAGE



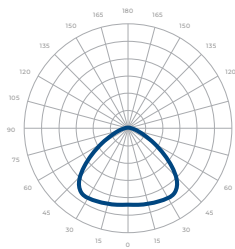
**PERFORMANCE SUMMARY\***

ALS (Aluminum Shroud)				
CCT/WATTAGE	3000K	3500K	4000K	5000K
<b>150W</b>	18,500lm	19,100lm	19,700lm	20,100lm
<b>200W</b>	24,650lm	25,500lm	26,250lm	26,800lm
<b>240W</b>	29,580lm	30,600lm	31,500lm	32,160lm

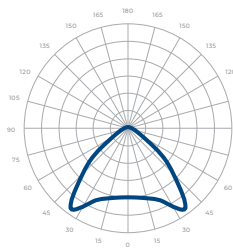
\*Beam Angle: 90° \*Tolerance ±8%

**PHOTOMETRICS**

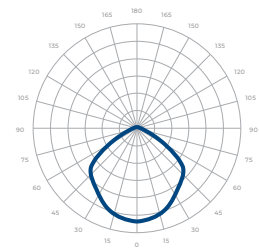
Below is a typical photometric representation of the Dext Mini fixture. Please download IES files to ensure exact photometric value.



STANDARD 90°



PC SHROUD 90°



ALUMINUM SHROUD 90°

**ACCESSORIES**

15" Aluminum Shroud



16" PC Shroud

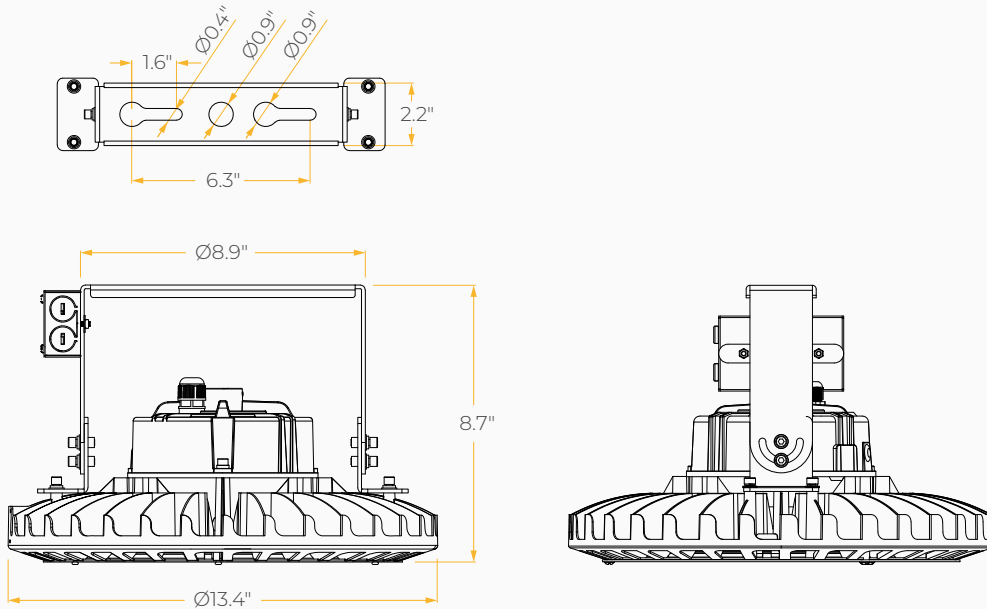


16" PC Shroud + Conical Lens

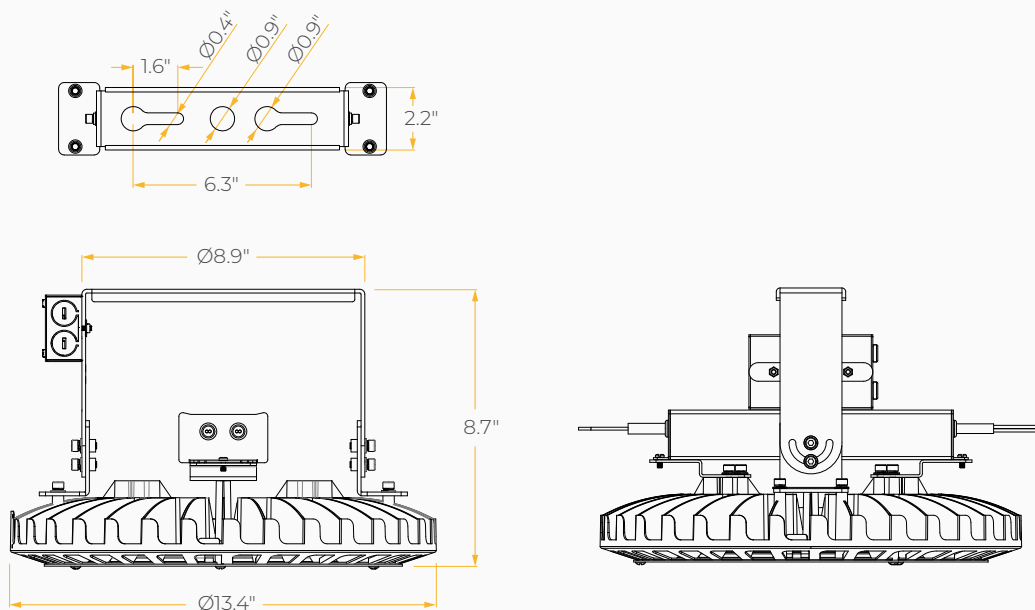


**DIMENSIONS**

150W / 200W

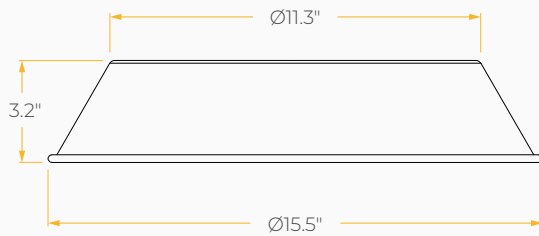


240W

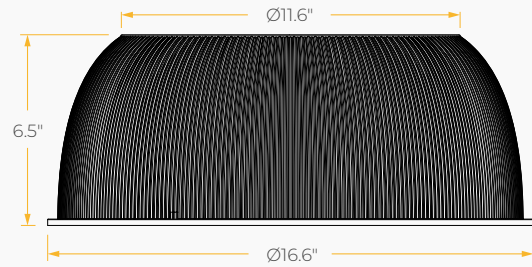


**DIMENSIONS**

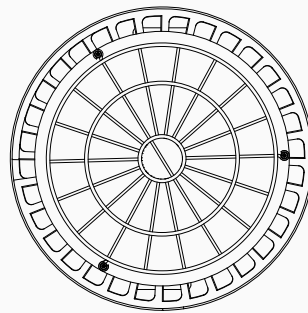
15" Aluminum Shroud



16" PC Shroud



Wire Guard



**MOUNTING OPTIONS\***

\*Junction box not included

