

RIO 4

BI-DIRECTIONAL CYLINDER

Housing

Diameter : Ø4.8" | Height : 11.8" | Weight : 10.6 lbs

Material

Housing : Extruded Aluminum
Optics : Aluminum Reflector

Power Input

Downlight : 15W, 25W, 45W | 120-277V
Uplight : 15W, 25W | 120-277V

Lumen Output

Downlight : 1,935 lm (15W), 3,225 lm (25W), 5,810 lm (45W)
Uplight : 2,060 lm (15W), 3,435 lm (25W)

Dimming

Standard 0-10V : Dims to 10%
DALI : Dims to 10%

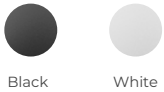
Color Quality

CRI 85, CRI 93 | UGR ≤ 19

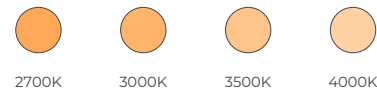
Rated Life

> 100,000 Hours (L70)

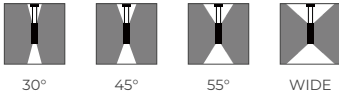
Finish



Color Temperature



Optics



Mounting



Cord Mount

Warranty

5 Year limited warranty

Listing



SPECIFICATION SHEET STATIC WHITE OUTDOOR

Power and Balance

The Rio Series is a clean, architectural bi-directional cylinder offered in 4" and 6" apertures, designed for spaces where form and performance carry equal weight. Selectable wattage options allow designers to balance uplight and downlight or bias the output downward, with separate dimming control for each channel to fine-tune comfort and visual hierarchy.

With efficacies exceeding 140 lm/W, Rio delivers high output with minimal energy demand. An integrated suspension and power cable keeps the profile uncluttered and installation straightforward. An outdoor-rated option is available for cohesive indoor-to-outdoor design continuity.



SPECIFICATION SHEET / STATIC WHITE OUTDOOR

RIO 4 BI-DIRECTIONAL CYLINDER



SPECIFICATION

PROJECT NAME

DATE

CATALOG #

QUANTITY

The product configurator function on this page works only with the latest version of Chrome or Adobe Acrobat Reader.

<input type="text" value="RIO4"/>	MODEL	RIO 4		
<input type="text"/>	WATTAGE	30 Downlight: 15W Uplight: 15W	50 Downlight: 25W Uplight: 25W	70 Downlight: 45W Uplight: 25W
<input type="text"/>	CCT / CRI	278 2700K / CRI 85 309 3000K / CRI 93 408 4000K / CRI 85	279 2700K / CRI 93 358 3500K / CRI 85	308 3000K / CRI 85 359 3500K / CRI 93
<input type="text" value="UNV"/>	VOLTAGE	UNV 120 – 277V		
<input type="text"/>	DIMMING	NOD Non-Dimming DALID DALI dims to 10% Dual (Up/Down Separately)	STVS ¹ Standard 0-10V dims to 10% Single (Up/Down Together)	STVD Standard 0-10V dims to 10% Dual (Up/Down Separately)
<input type="text"/>	BEAM ANGLE	Downlight		
		30 30° WD ² Wide	45 45°	55 55°
<input type="text"/>	BEAM ANGLE	Uplight		
		30 30° WD ² Wide	45 45°	55 55°
<input type="text"/>	FINISH	BLK Black	WHT White	
<input type="text"/>	MOUNTING	CM#(2/4/6/8/10) ³ Thin Cord Mount (2, 4, 6, 8, 10 ft.)		
<input type="text"/>	RATING	OUT ⁴ Outdoor Rating	NAT ⁵ Natatorium Rating	

CLEAR FORM

¹ STVS is not compatible with 50W, 70W
² WD option reduces delivered lumens by ~20%
³ Replace “#” with the required length designation. ex: CM2, CM4
⁴ Outing Rating: Coating and wiring will be changed to high UV resistant and corrosion resistant materials for long term operation in outdoor environments
⁵ Natatorium rating: Coating and sealant will be changed to high corrosion resistant materials to prevent damage from long term exposure to chlorine vapors

TECHNICAL DETAILS

Electrical

- Downlight : 1,935 lm (15W), 3,225 lm (25W), 5,810 lm (45W)
- Uplight : 2,060 lm (15W), 3,435 lm (25W)
- Power Input : Universal (120-277V)
- Operating Temperature : -13°F~104°F
- Surge Protection : Built-in is 2.5KV
- Power Factor Greater than 0.9
- Remote Emergency Pack : Bodine BSL20B2UEK55C1II

LED Features

- Color Temperature : 2700K, 3000K, 3500K, 4000K
- CRI 85, CRI 93
- UGR ≤ 19
- Long lasting LED luminaire tested under TM21 lumen maintenance L70 @ 100,000 Hrs

Optics

- Aluminum Reflector
- Beam Angle : 30°, 45°, 55°, WD

Advanced Dimming

- Proprietary VX Driver™ is integrated across all dimming options, delivering video flicker-free performance and full compliance with IEEE 1789.
- Standard 0-10V : Dims to 10%
Single Dimming (Controls Up/Down Together)
Dual Dimming (Controls Up/Down Separately)
- DALI : Dims to 10%
Dual Dimming (Controls Up/Down Separately)

Housing

- Diameter : Ø4.8"
- Height : 11.8"
- Canopy : 6.5" x 3.56"
- Material : Extruded Aluminum
- Weight : 10.6 lbs

Mounting

- Thin Cord Mount 2ft, 4ft, 6ft, 8ft, 10ft

Warranty

- 5-year limited warranty

Listing

- ETL Wet Location Listed
- CE
- FCC
- IP65 Rated

PERFORMANCE SUMMARY*

Delivered Lumens						
TOTAL WATTAGE	Uplight Wattage	Downlight Wattage	2700K	3000K	3500K	4000K
30W	15W	15W	1,885 / 1,775lm	2,005 / 1,880lm	2,045 / 1,925lm	2,060 / 1,935lm
50W	25W	25W	3,145 / 2,955lm	3,340 / 3,135lm	3,415 / 3,210lm	3,435 / 3,225lm
70W	25W	45W	3,145 / 5,325lm	3,340 / 5,645lm	3,415 / 5,780lm	3,435 / 5,810lm

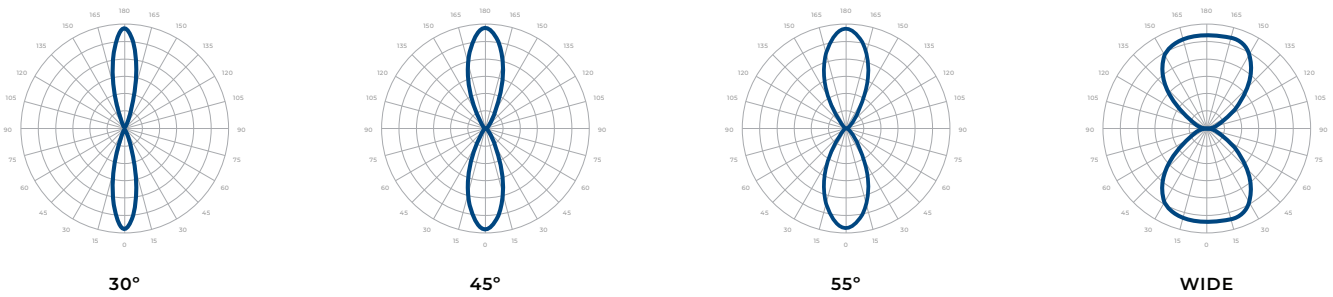
*Tolerance ±8%

*For specifications requiring a CRI of 93, apply a 0.75 multiplier to the lumen output values listed.

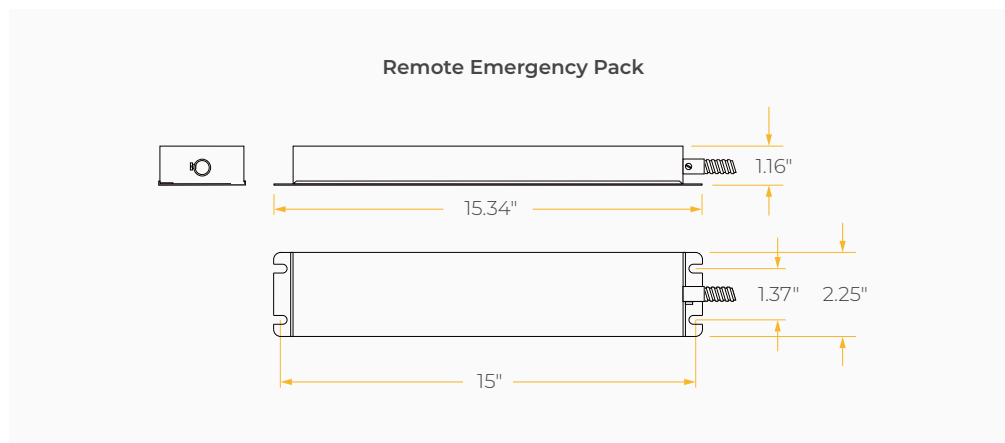
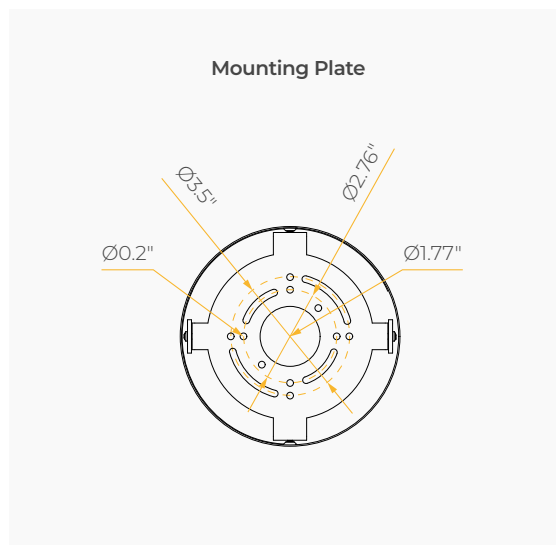
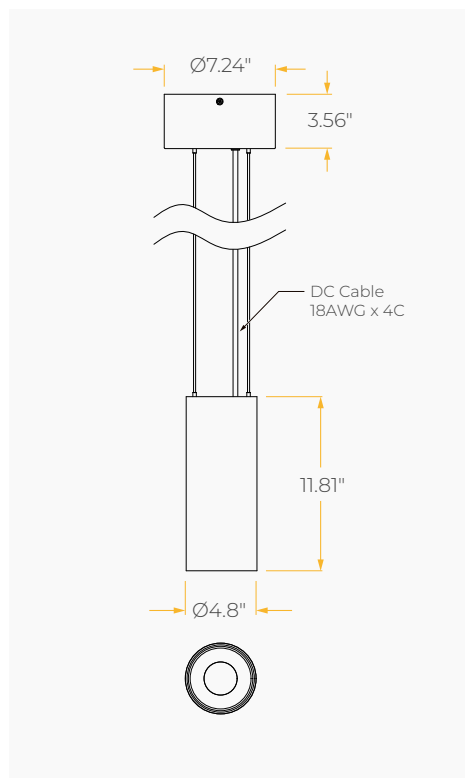
Current Consumption		
WATTAGE / VOLT	120V	277V
30W	0.28A	0.12A
50W	0.46A	0.20A
70W	0.64A	0.28A

PHOTOMETRICS

Below is a typical photometric representation of the Rio 4 fixture. Please download IES files to ensure exact photometric value.



DIMENSIONS



MOUNTING OPTIONS*

**Junction box not included*

