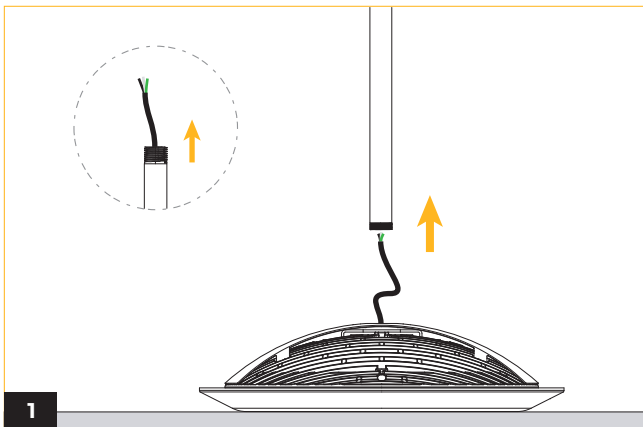
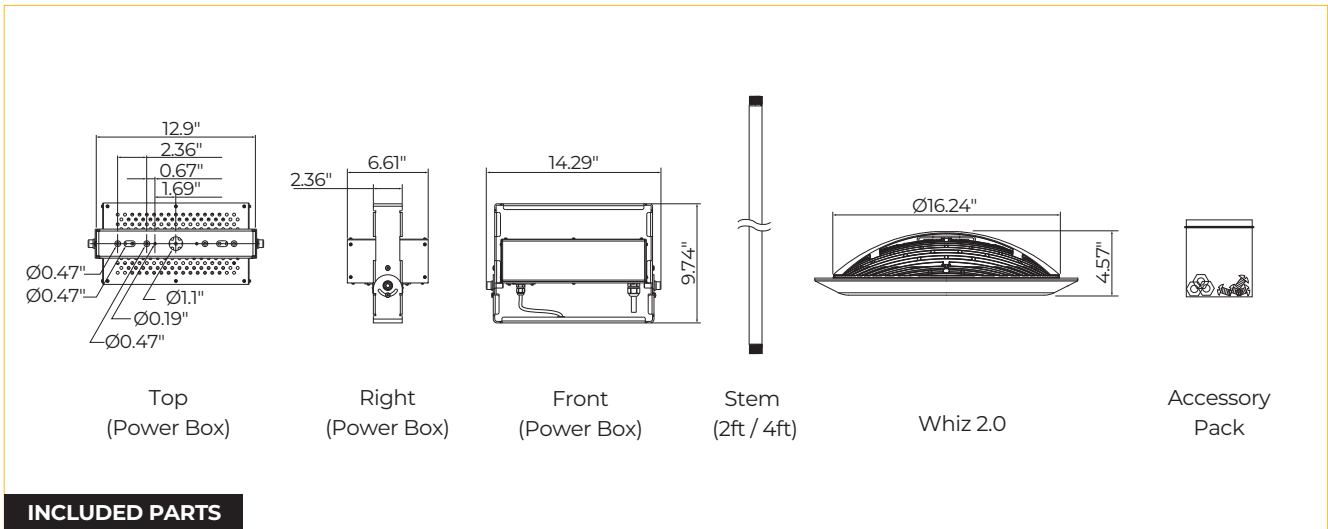


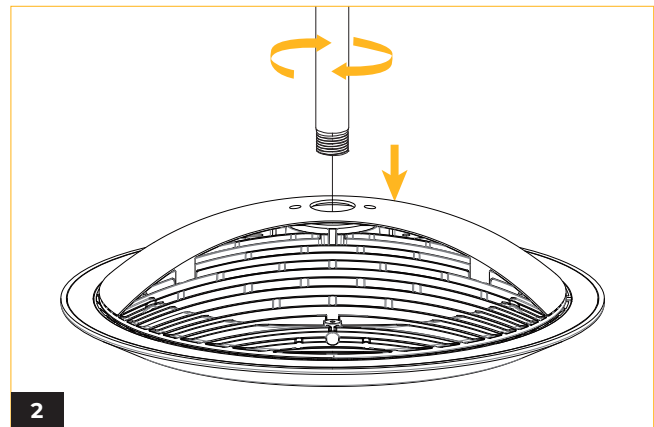
IMPORTANT SAFETY INFORMATION READ AND FOLLOW ALL SAFETY INSTRUCTIONS

- Before wiring to power supply and during servicing or relamping, turn off power at fuse or circuit breaker.
- All servicing or relamping must be performed by qualified service personnel.
- Product must be grounded to avoid potential electric shock or other potential hazard.
- Product must be installed at locations and heights, in a manner consistent with its intended use, and in compliance with Electrical Code and local codes.

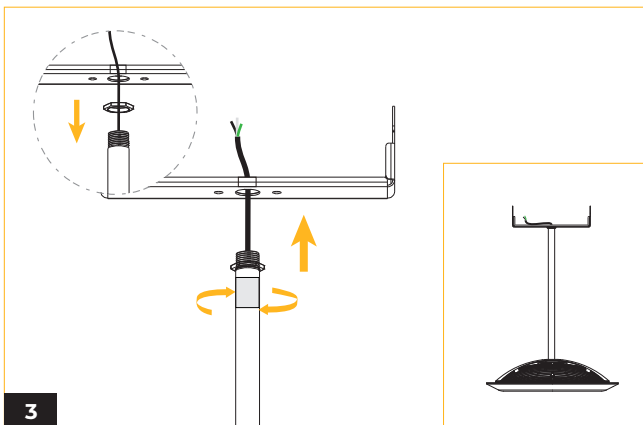
SAVE THESE INSTRUCTIONS FOR FUTURE REFERENCE



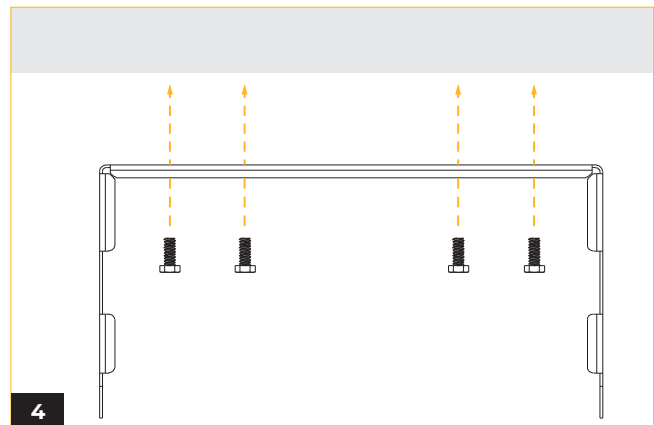
Fixture cables go through the stem and all the way through.



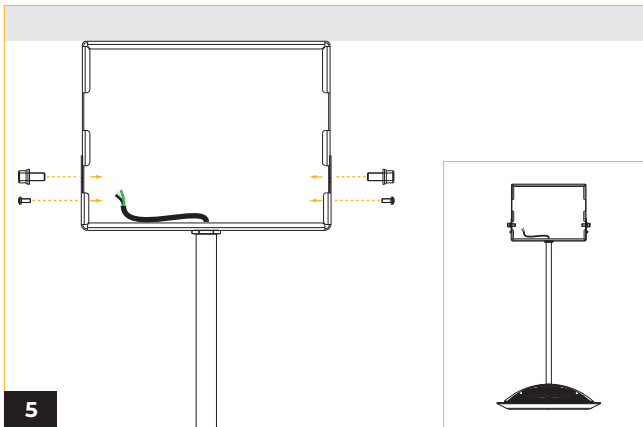
Screw stem in place.



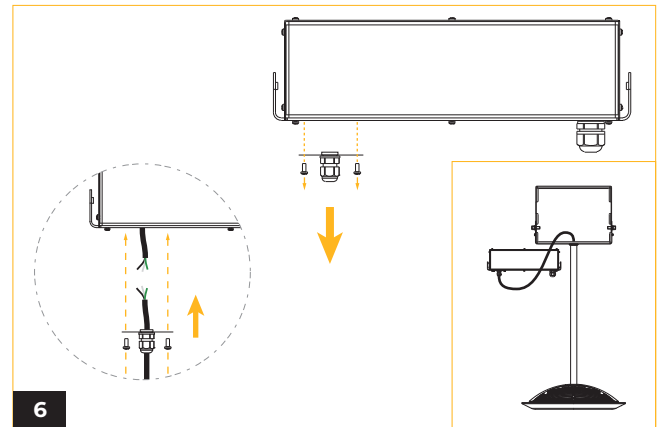
First, push the cables through a Hex screw and tighten on stem grooves. Second, fasten the stem onto the lower bracket.



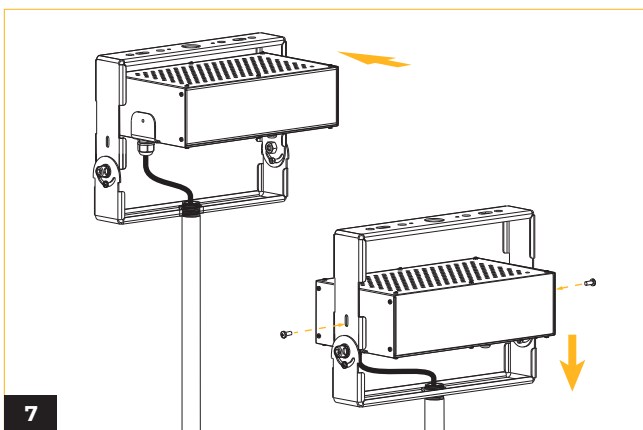
Fasten the top bracket on the desired location on the ceiling.



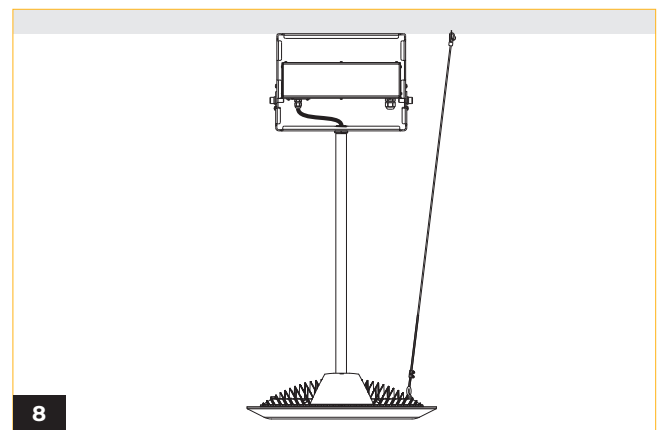
5 Align both lower and upper brackets and fasten in place.



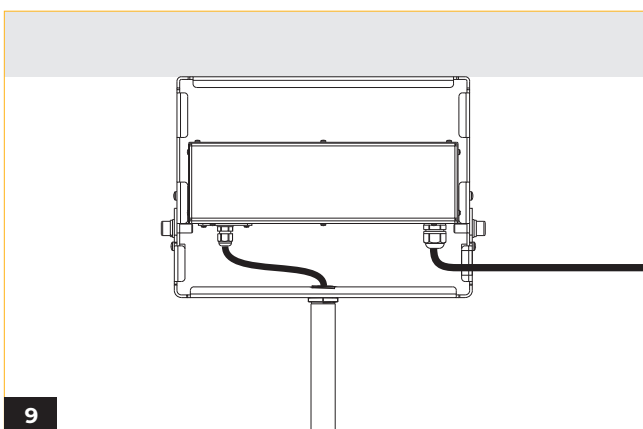
6 Unscrew the DC junction box and loosen the cable clamp. Insert the FC wire through the cable clamp and connect them to the wires in the junction box. Refer to wiring diagram for detailed explanation of wiring diagram.



7 Slip the power box hook fastener over the lock-in grooves allocated and fasten screws on either side to keep the power box in place.



8 Hook the safety cable.



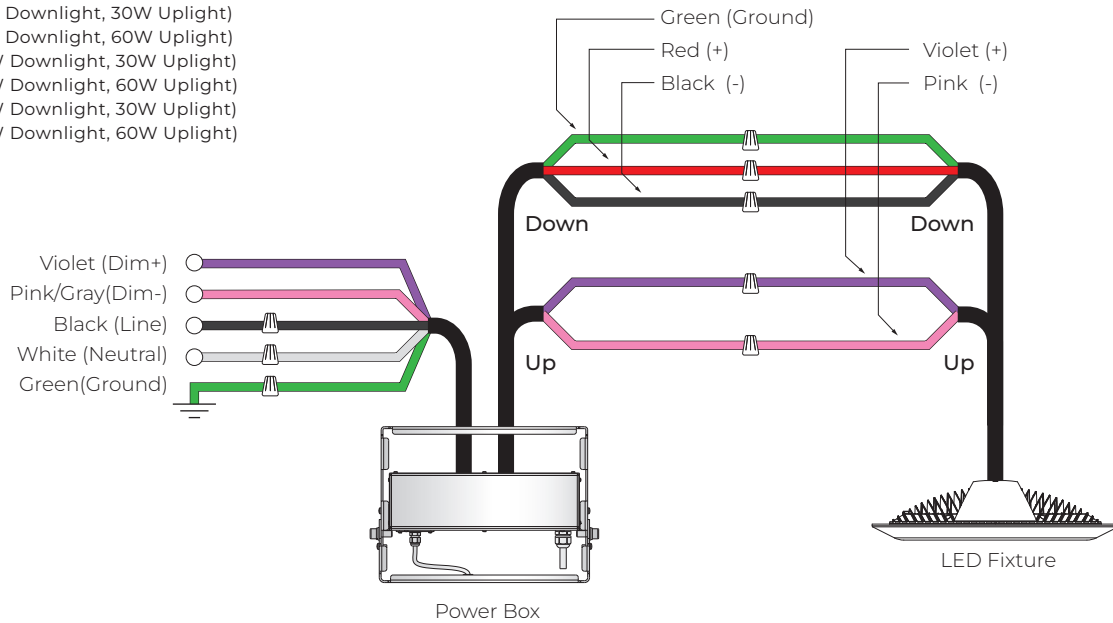
9 Connect AC Cable to Junction Box.

WIRING DIAGRAM

SPV / STV 0-10V

*Not to scale

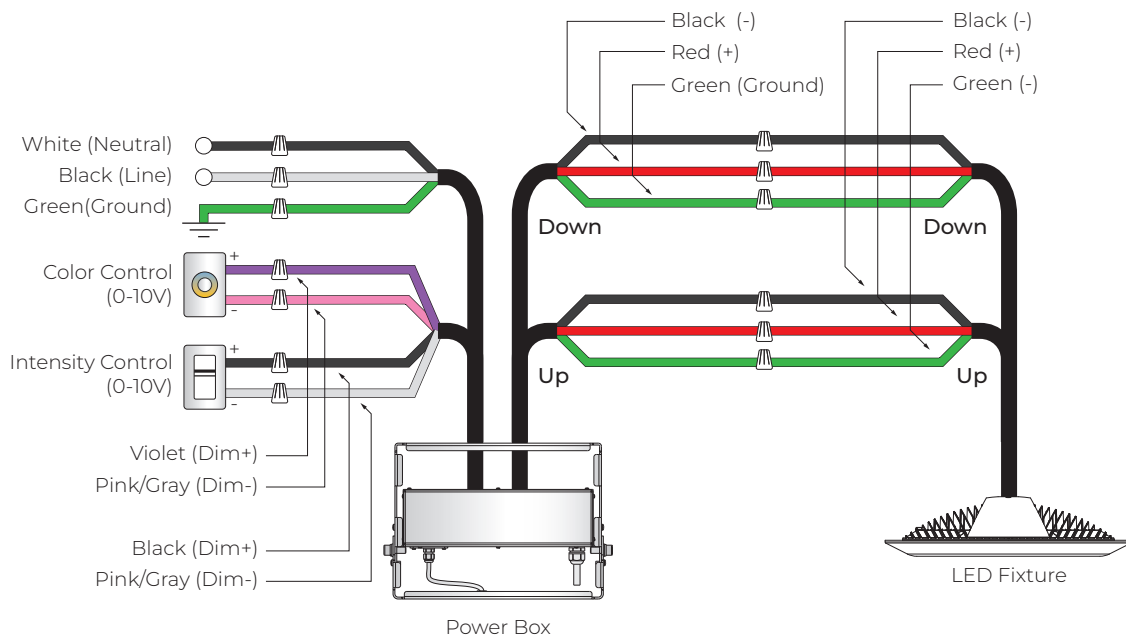
- 150 (120W Downlight, 30W Uplight)
- 180 (120W Downlight, 60W Uplight)
- 200 (170W Downlight, 30W Uplight)
- 230 (170W Downlight, 60W Uplight)
- 270 (240W Downlight, 30W Uplight)
- 300 (240W Downlight, 60W Uplight)
- 310 (280W Downlight, 30W Uplight)
- 340 (280W Downlight, 60W Uplight)



SPV 0-10V (Tunable White)

*Not to scale

- 300 (240W Downlight, 60W Uplight)

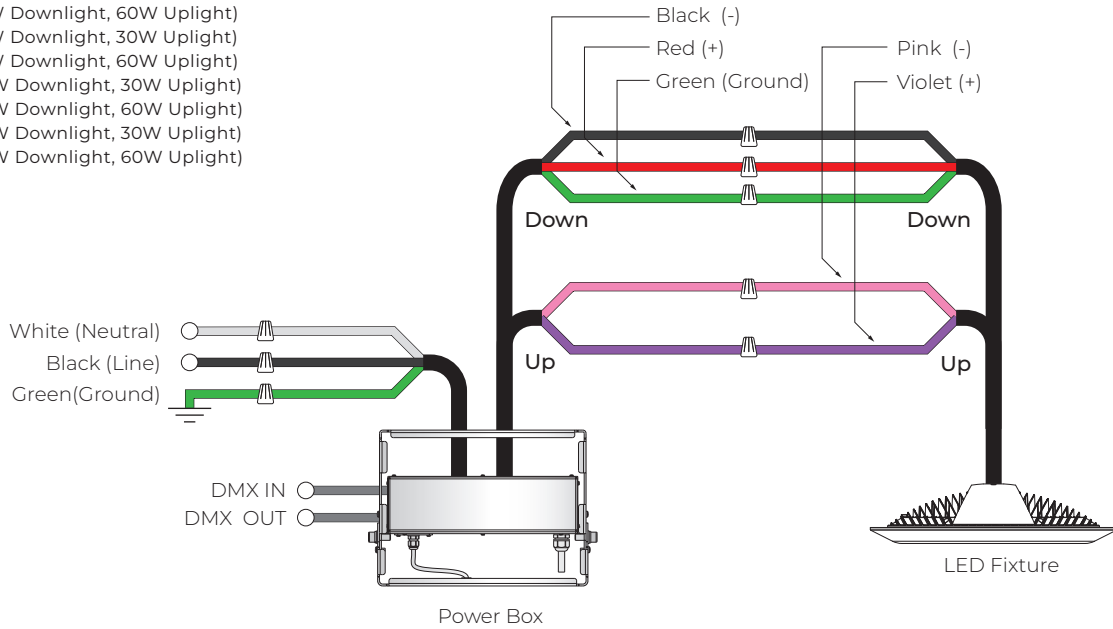


WIRING DIAGRAM

DMX

*Not to scale

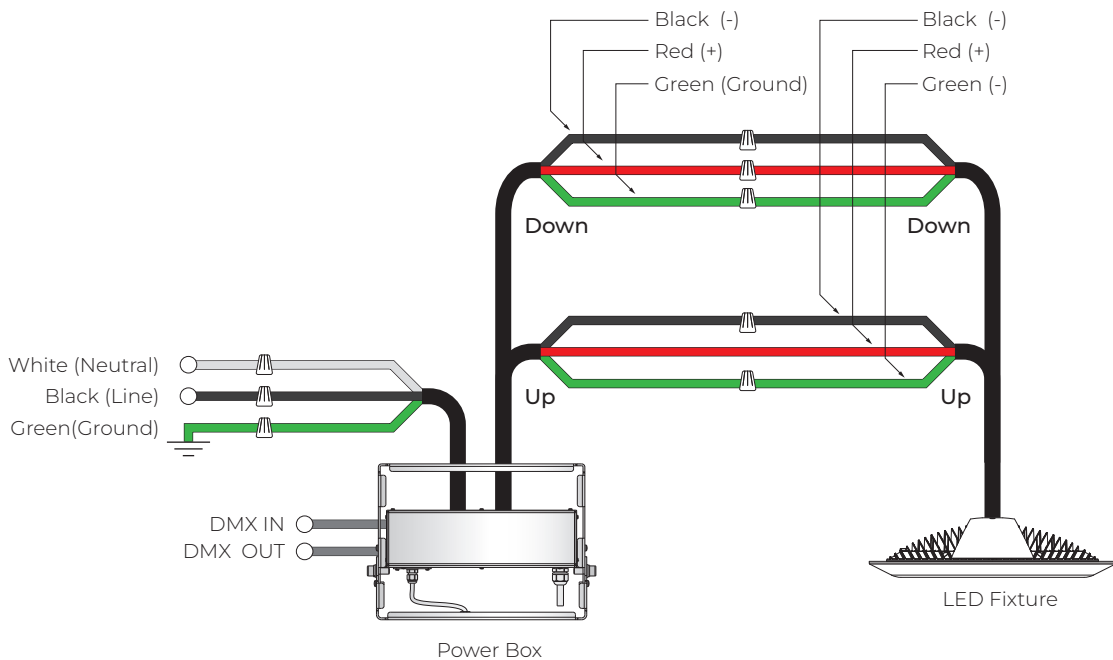
- 150 (120W Downlight, 30W Uplight)
- 180 (120W Downlight, 60W Uplight)
- 200 (170W Downlight, 30W Uplight)
- 230 (170W Downlight, 60W Uplight)
- 270 (240W Downlight, 30W Uplight)
- 300 (240W Downlight, 60W Uplight)
- 310 (280W Downlight, 30W Uplight)
- 340 (280W Downlight, 60W Uplight)



DMX / DMX (Tunable White)

*Not to scale

- 300 (240W Downlight, 60W Uplight)

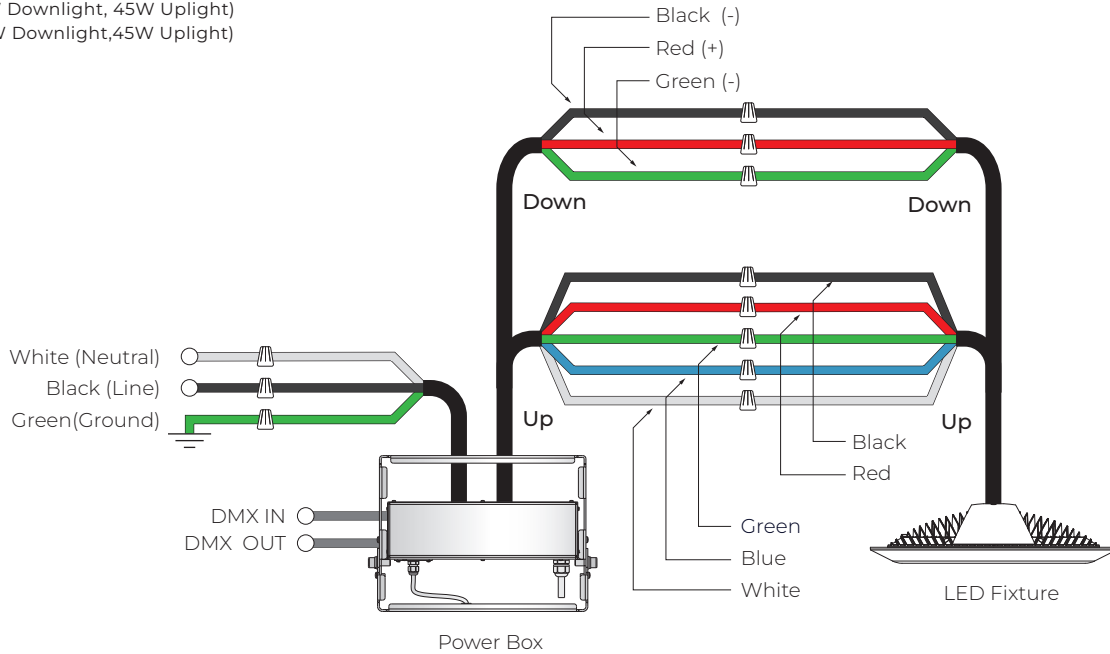


WIRING DIAGRAM

DMX White Downlight RGB Uplight

*Not to scale

- 165 (120W Downlight, 45W Uplight)
- 215 (170W Downlight, 45W Uplight)
- 285 (240W Downlight, 45W Uplight)



DMX (W+RGB)

*Not to scale

- 300 (240W Downlight, 60W Uplight)

