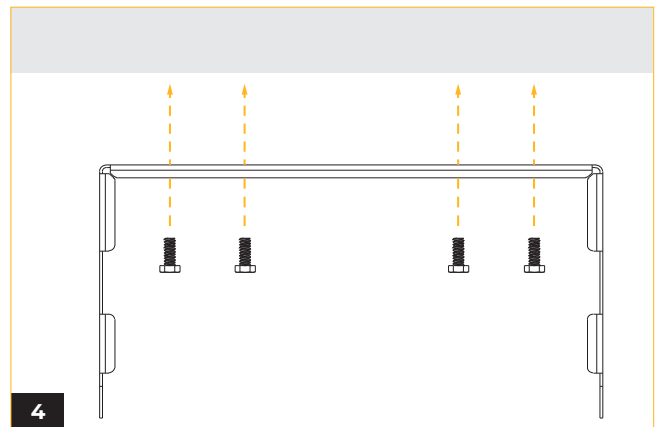
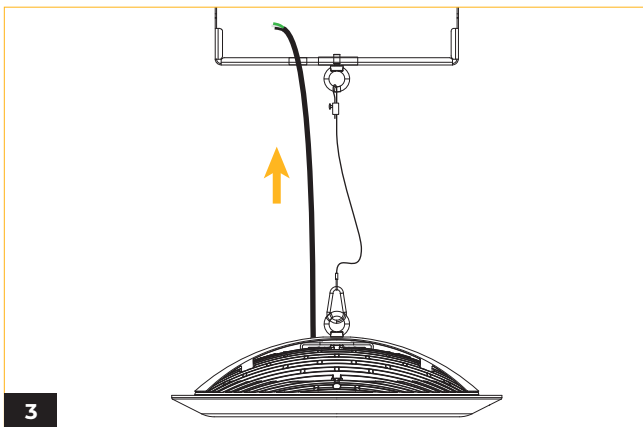
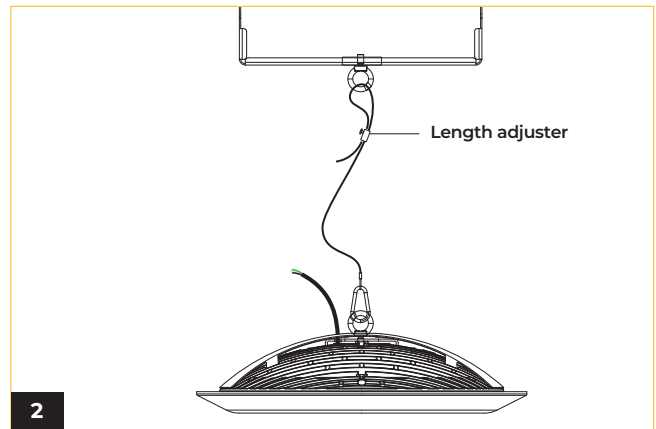
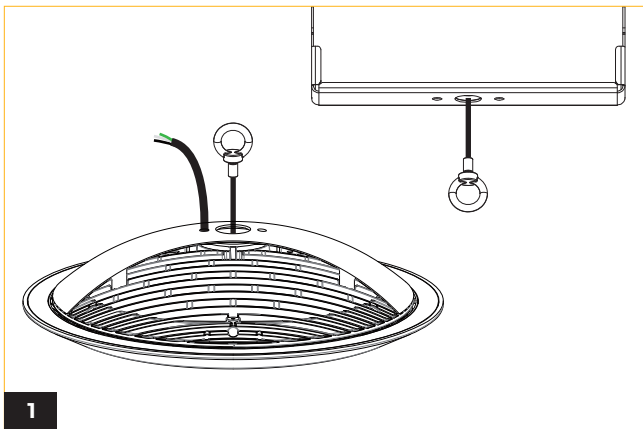
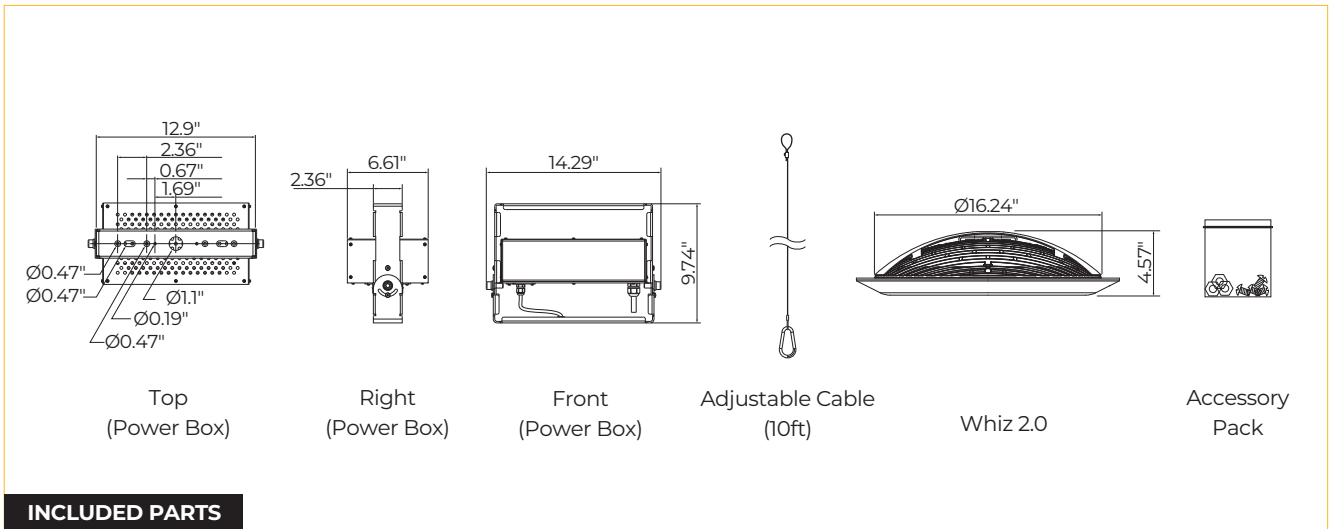
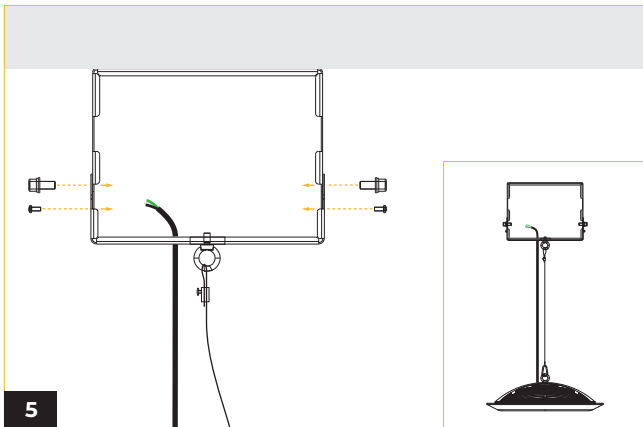


IMPORTANT SAFETY INFORMATION READ AND FOLLOW ALL SAFETY INSTRUCTIONS

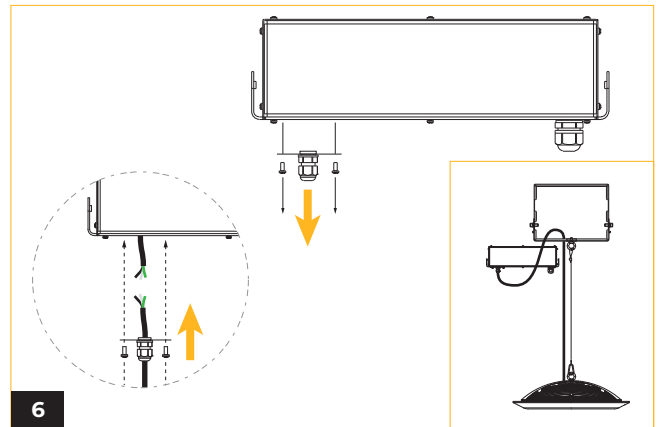
- Before wiring to power supply and during servicing or relamping, turn off power at fuse or circuit breaker.
- All servicing or relamping must be performed by qualified service personnel.
- Product must be grounded to avoid potential electric shock or other potential hazard.
- Product must be installed at locations and heights, in a manner consistent with its intended use, and in compliance with Electrical Code and local codes.

SAVE THESE INSTRUCTIONS FOR FUTURE REFERENCE

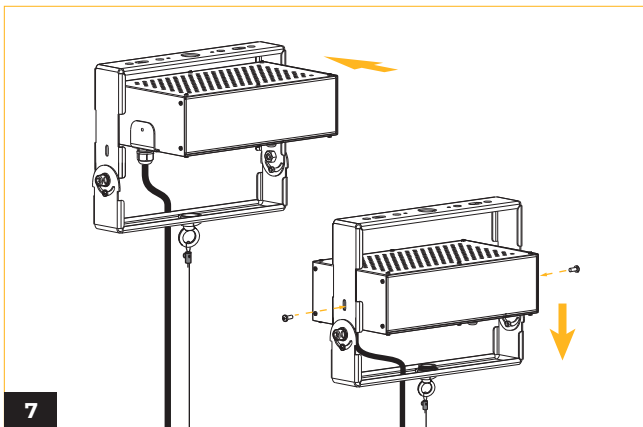




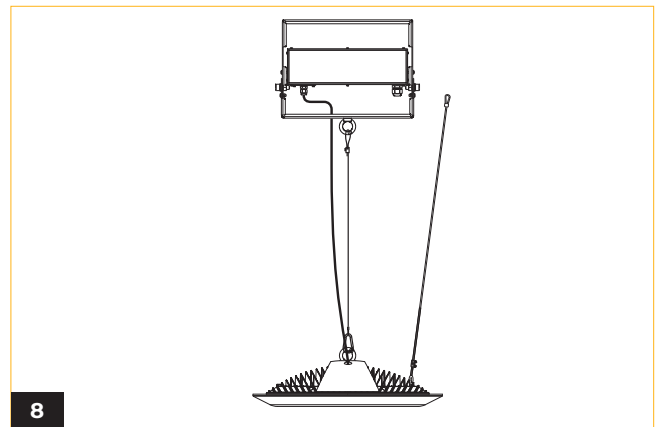
5 Align both lower and upper brackets and fasten in place.



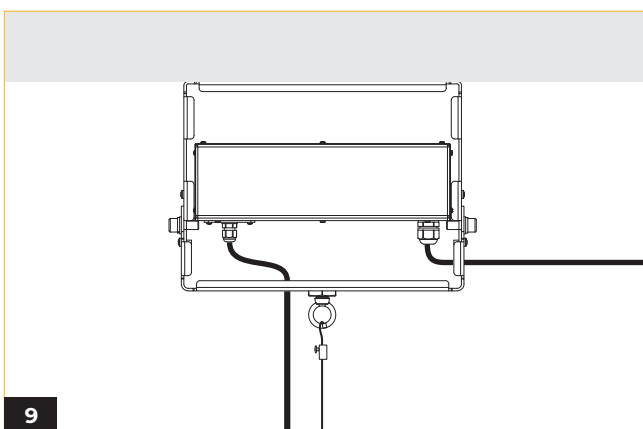
6 Open the DC Junction box and connect cables. Refer to wiring diagram section.



7 Slip the power box hook fastener over the lock-in grooves allocated and fasten screws on either side to keep the power box in place.



8 Hook the safety cable.



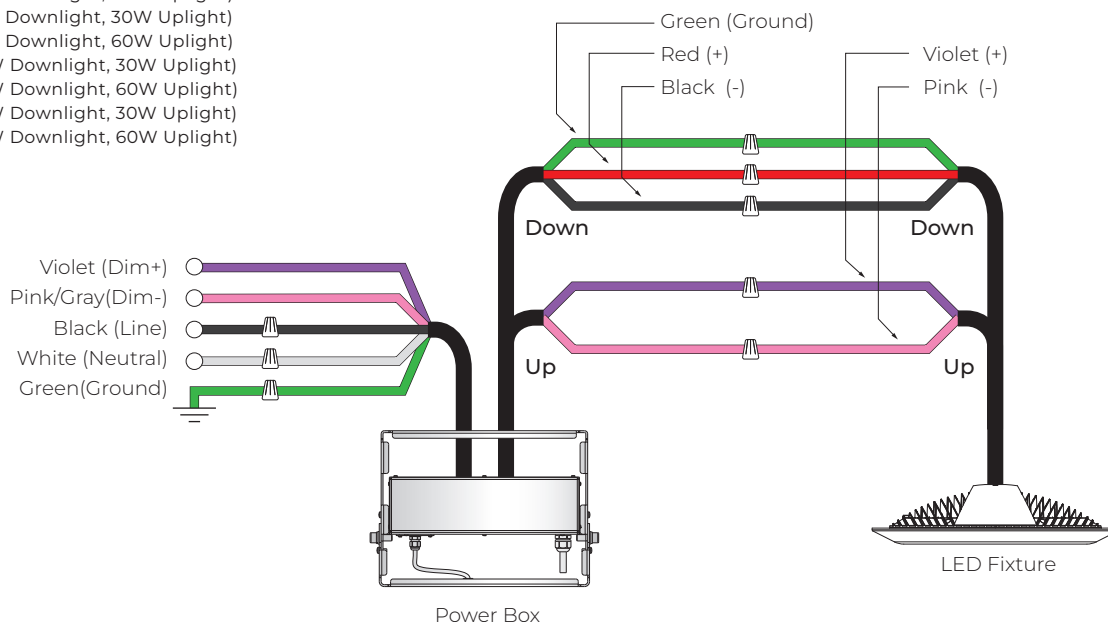
9 Connect AC Cable to Junction Box.

WIRING DIAGRAM

SPV / STV 0-10V

*Not to scale

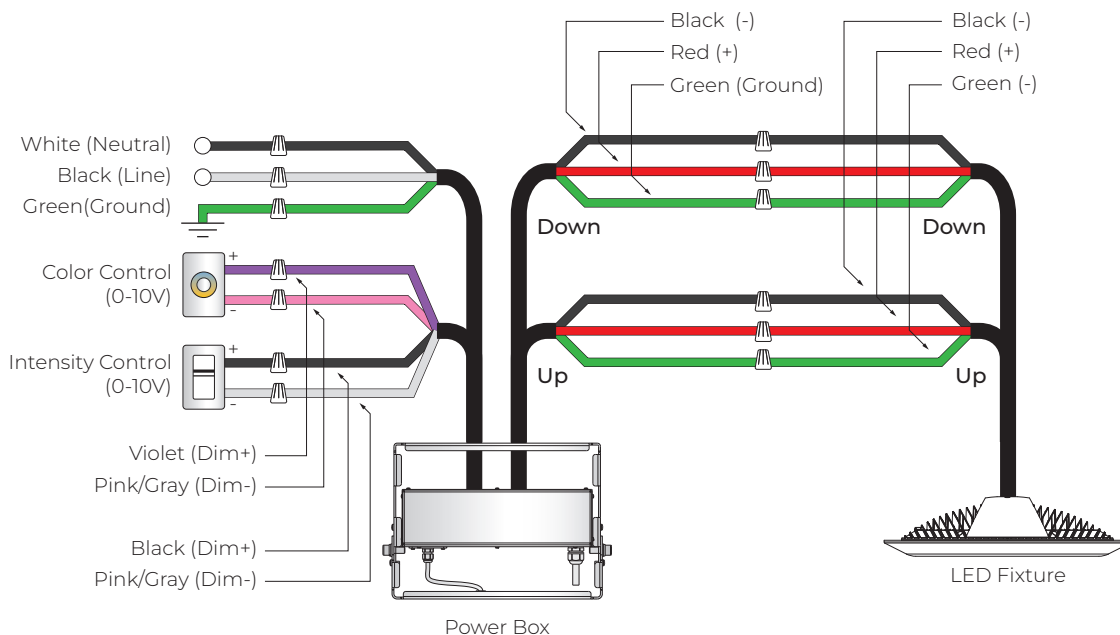
- 150 (120W Downlight, 30W Uplight)
- 180 (120W Downlight, 60W Uplight)
- 200 (170W Downlight, 30W Uplight)
- 230 (170W Downlight, 60W Uplight)
- 270 (240W Downlight, 30W Uplight)
- 300 (240W Downlight, 60W Uplight)
- 310 (280W Downlight, 30W Uplight)
- 340 (280W Downlight, 60W Uplight)



SPV 0-10V (Tunable White)

*Not to scale

- 300 (240W Downlight, 60W Uplight)

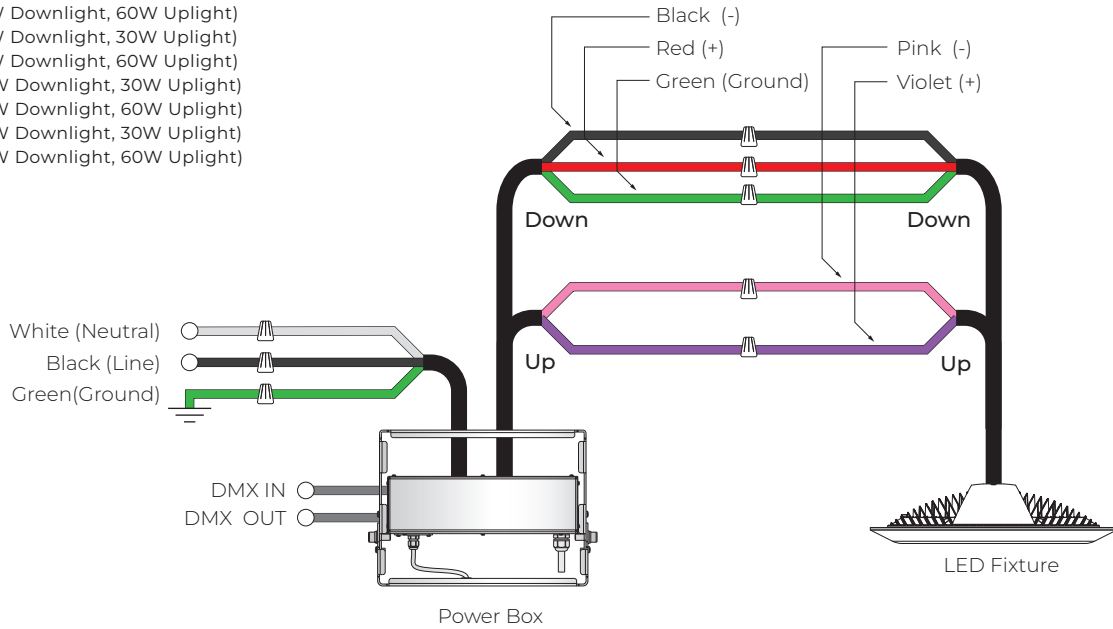


WIRING DIAGRAM

DMX

*Not to scale

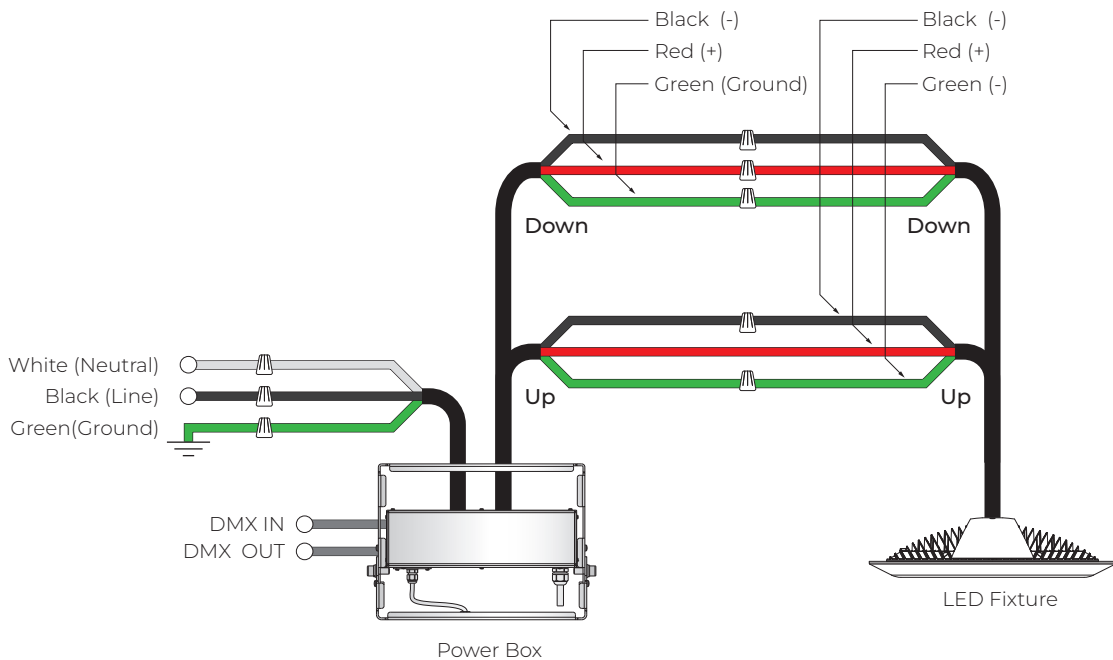
- 150 (120W Downlight, 30W Uplight)
- 180 (120W Downlight, 60W Uplight)
- 200 (170W Downlight, 30W Uplight)
- 230 (170W Downlight, 60W Uplight)
- 270 (240W Downlight, 30W Uplight)
- 300 (240W Downlight, 60W Uplight)
- 310 (280W Downlight, 30W Uplight)
- 340 (280W Downlight, 60W Uplight)



DMX / DMX (Tunable White)

*Not to scale

- 300 (240W Downlight, 60W Uplight)

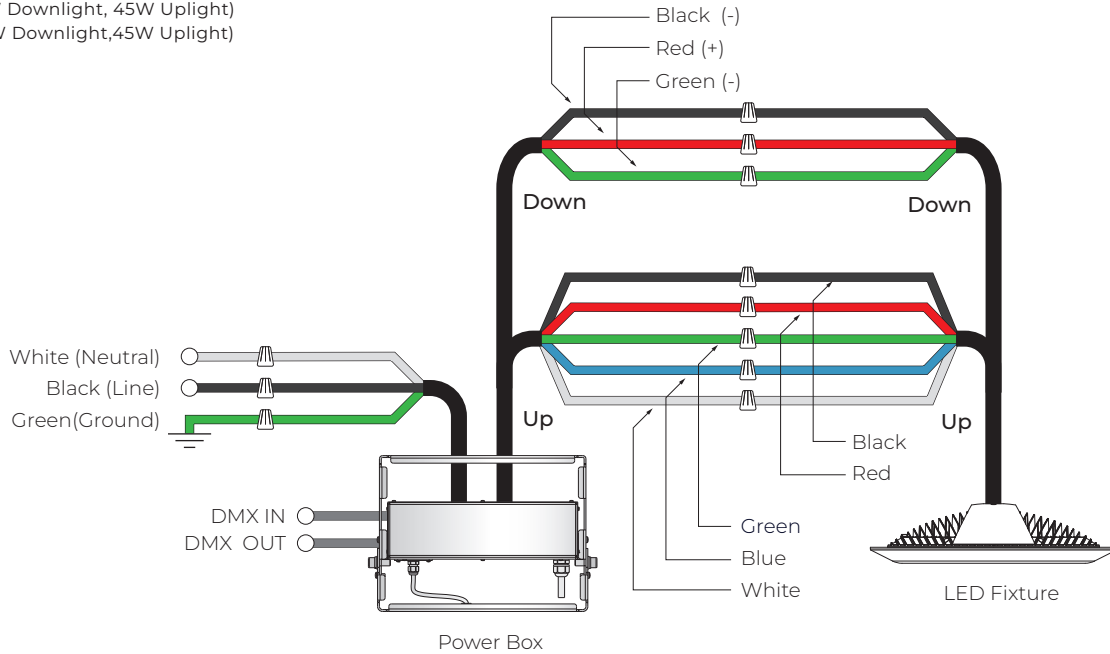


WIRING DIAGRAM

DMX White Downlight RGB Uplight

*Not to scale

- 165 (120W Downlight, 45W Uplight)
- 215 (170W Downlight, 45W Uplight)
- 285 (240W Downlight, 45W Uplight)



DMX (W+RGB)

*Not to scale

- 300 (240W Downlight, 60W Uplight)

