

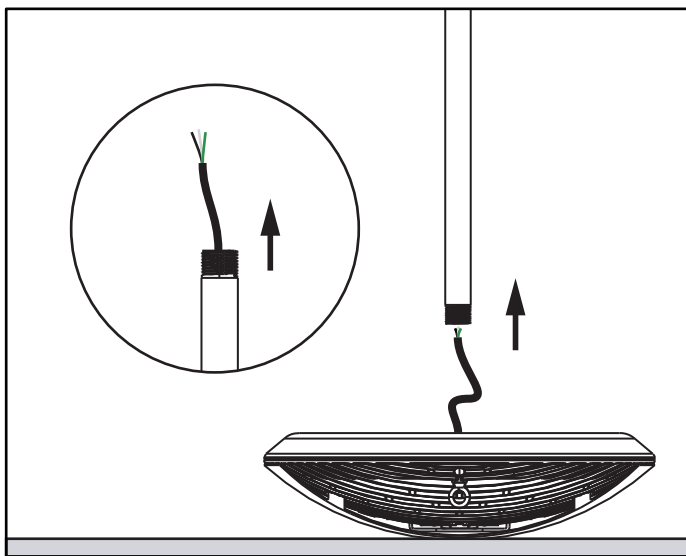
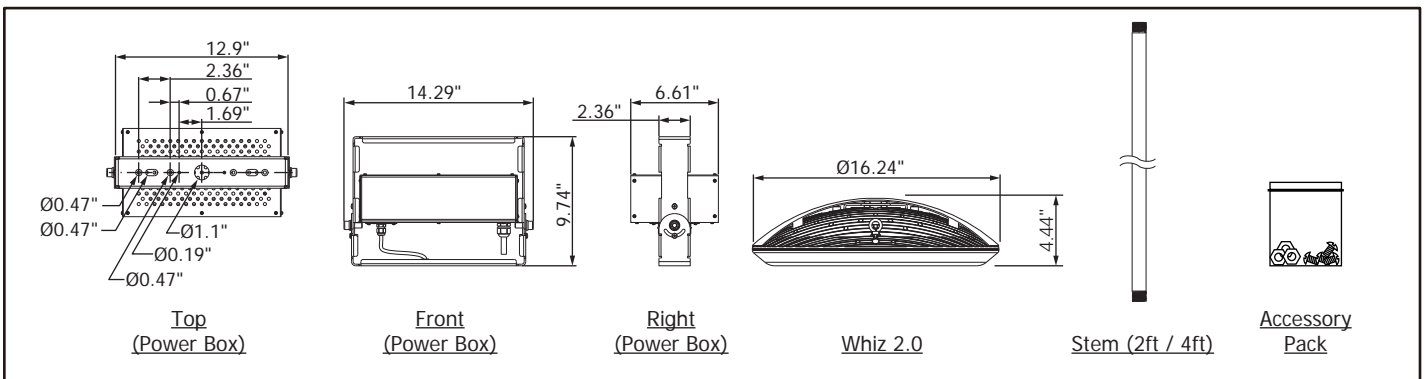
ADVANCED HIGH CEILING Whiz 2.0 - Uplight



IMPORTANT SAFETY INFORMATION. READ AND FOLLOW ALL SAFETY INSTRUCTIONS

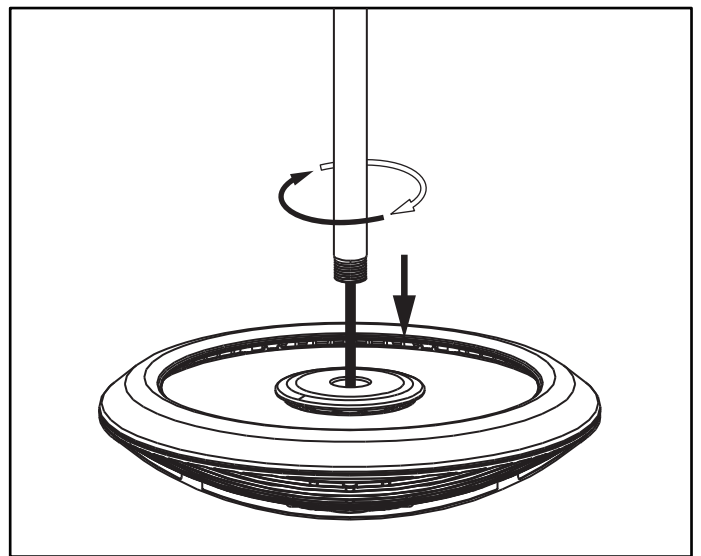
IMPORTANT SAFETY INFORMATION. READ AND FOLLOW ALL SAFETY INSTRUCTIONS. Before wiring to power supply and during servicing or relamping, turn off power at fuse or circuit breaker. All servicing or relamping must be performed by qualified service personnel. Product must be grounded to avoid potential electric shock or other potential hazard. Product must be at locations and at heights and in a manner consistent with its intended use, and in compliance with Electrical Code and local codes.

SAVE THESE INSTRUCTIONS FOR FUTURE REFERENCE.



Step 1

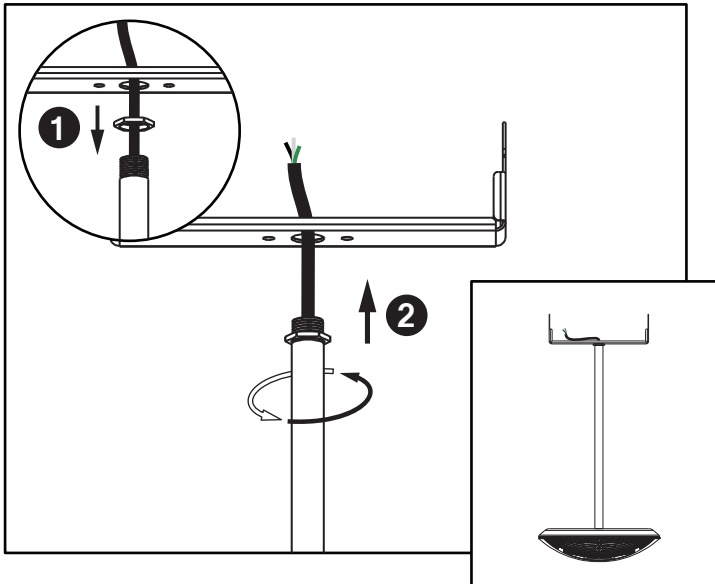
Fixture cables go through the stem and all the way through.



Step 2

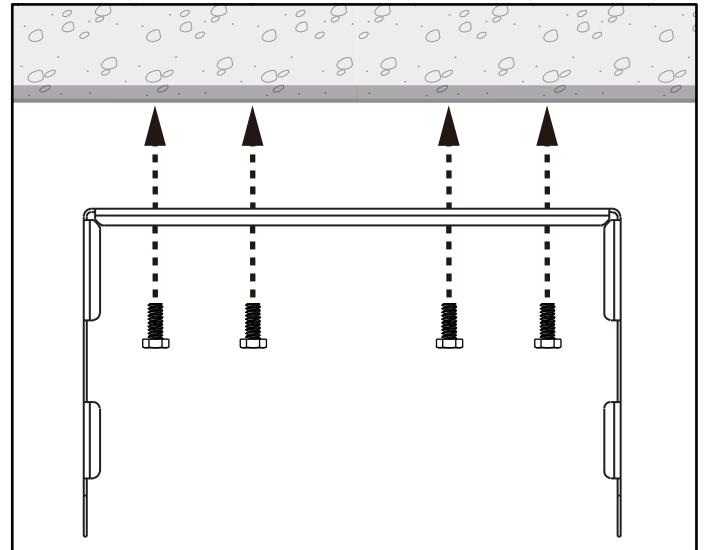
Screw stem in place.

ADVANCED HIGH CEILING Whiz 2.0 - Uplight



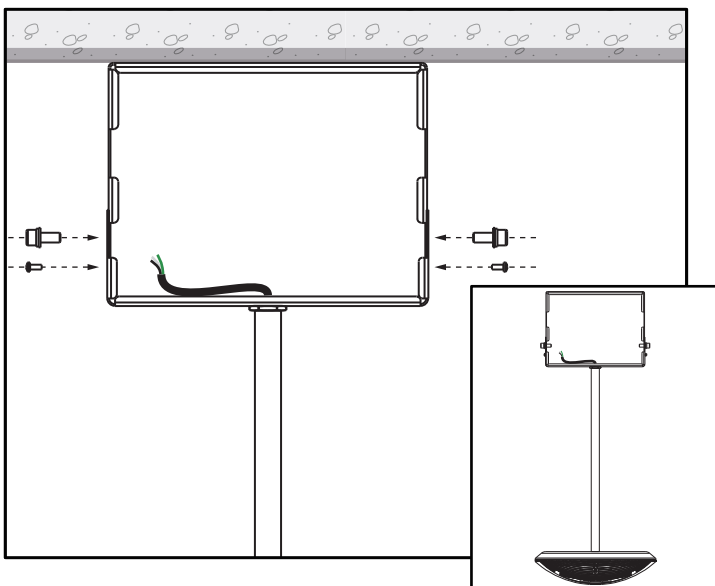
Step 3

First, push the cables through a Hex screw and tighten on stem grooves. Second, fasten the stem onto the lower bracket.



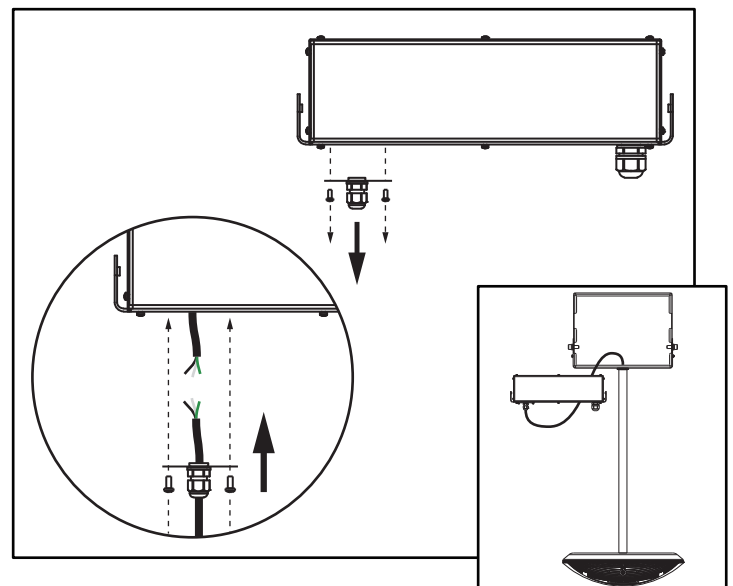
Step 4

Fasten the top bracket on the desired location on the ceiling.



Step 5

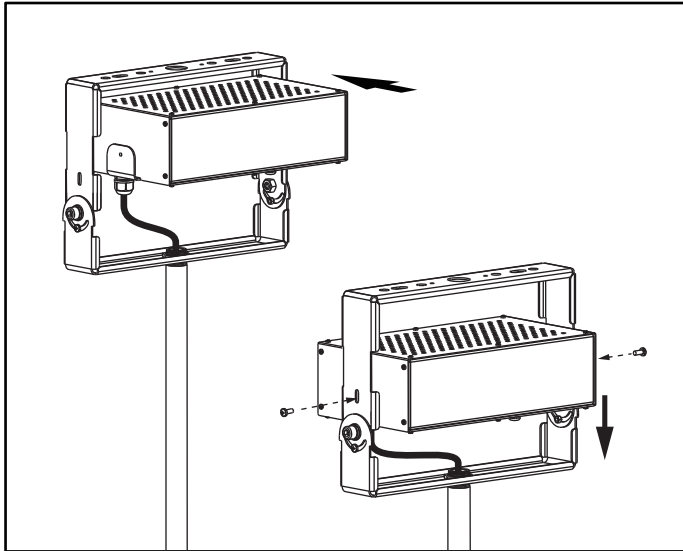
Align both lower and upper brackets and fasten in place.



Step 6

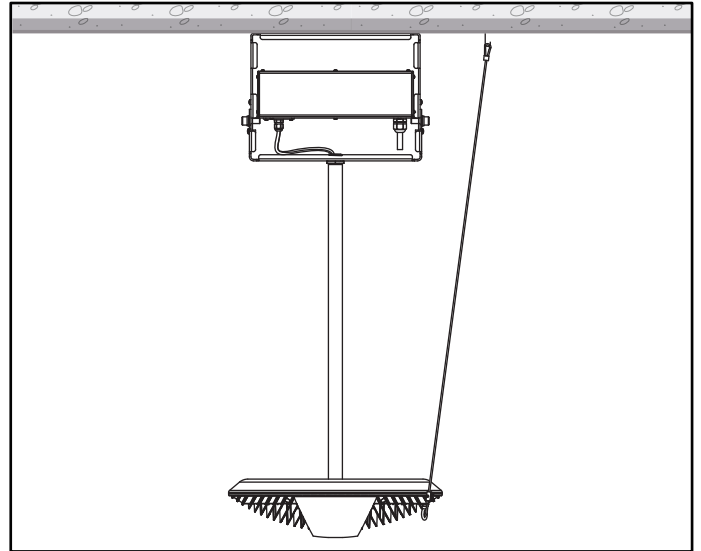
Open the DC Junction box and connect cables. Refer to wiring diagram section.

ADVANCED HIGH CEILING Whiz 2.0 - Uplight



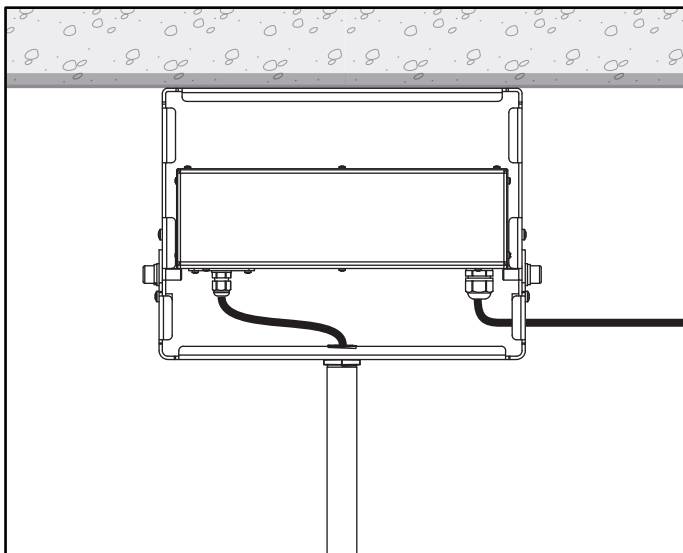
Step 7

Slip the power box hook fastener over the lock-in grooves allocated and fasten screws on either side to keep the power box in place.



Step 8

Hook the safety cable.



Step 9

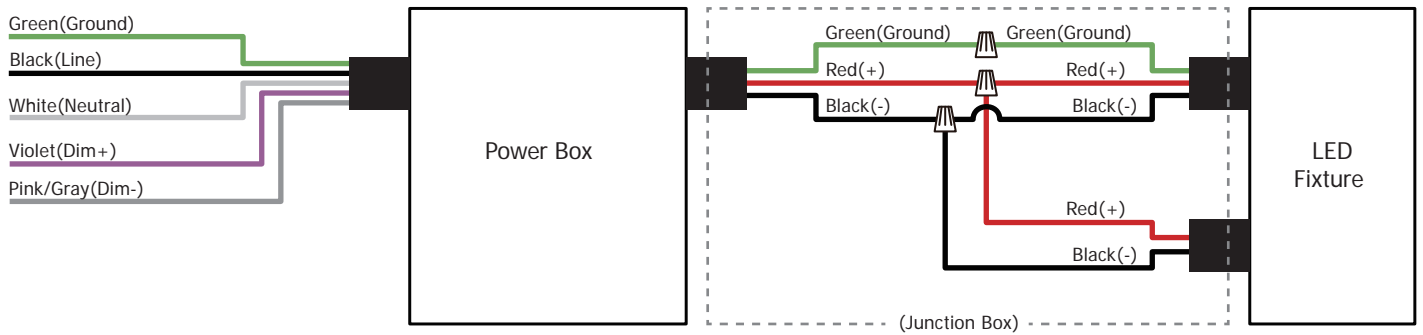
Connect AC Cable to Junction Box.

ADVANCED HIGH CEILING Whiz 2.0 - Uplight

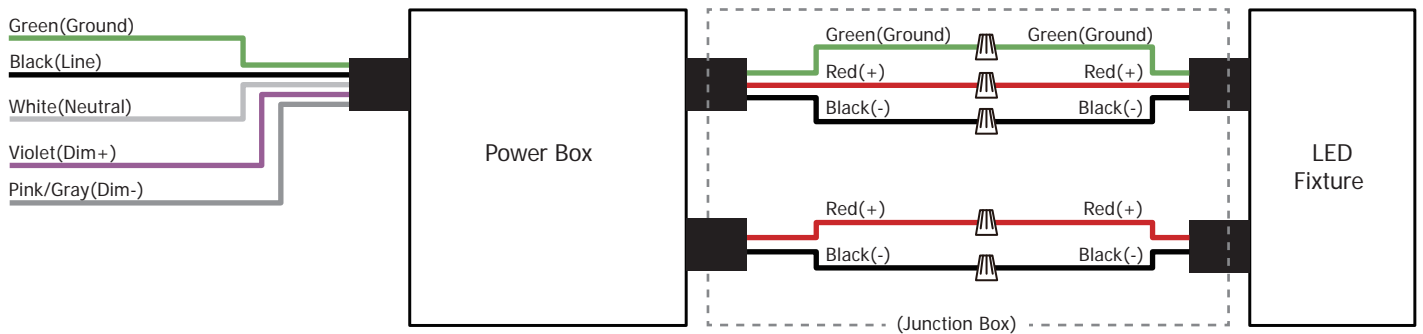


Wiring Diagram

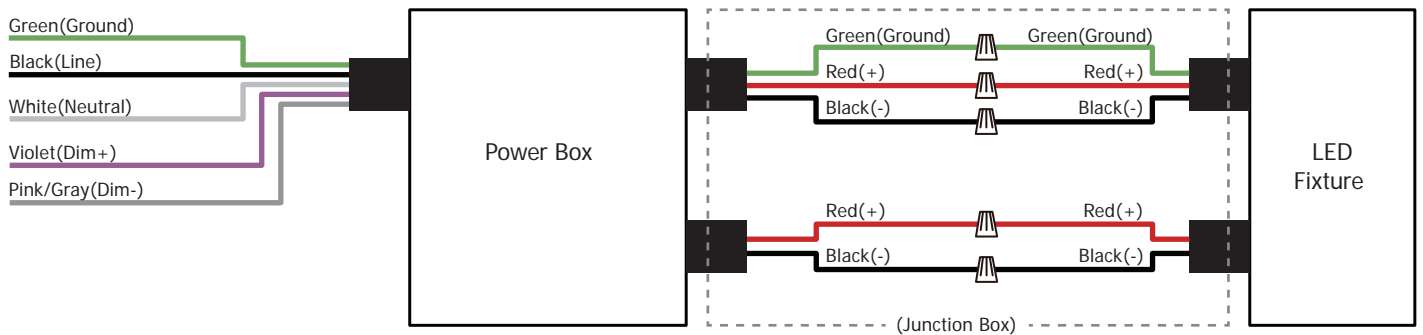
Standard0-10V (WS2.0-120 / WS2.0-170 / WS2.0-240)



Standard0-10V (WS2.0-300)



Superior0-10V

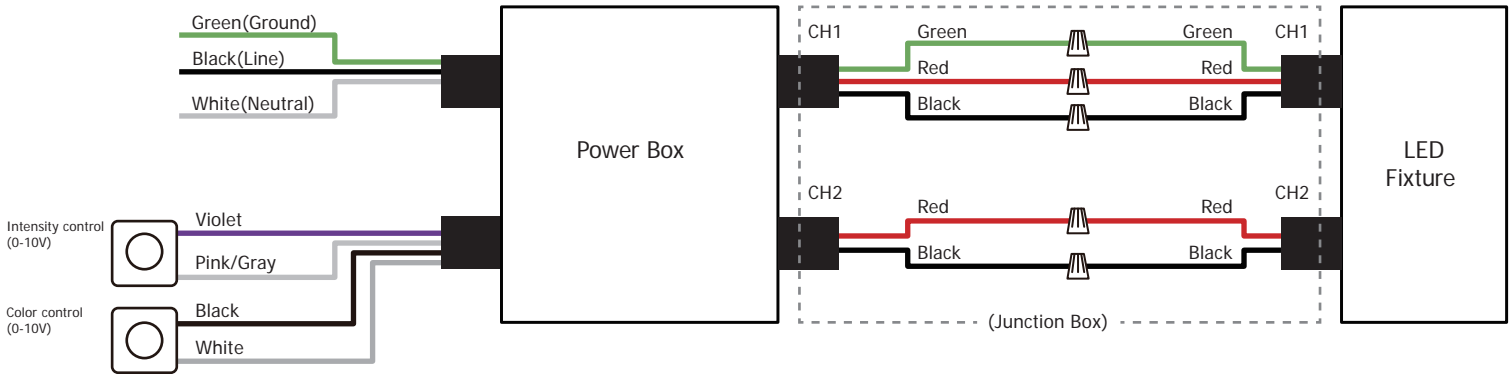


ADVANCED HIGH CEILING Whiz 2.0 - Uplight

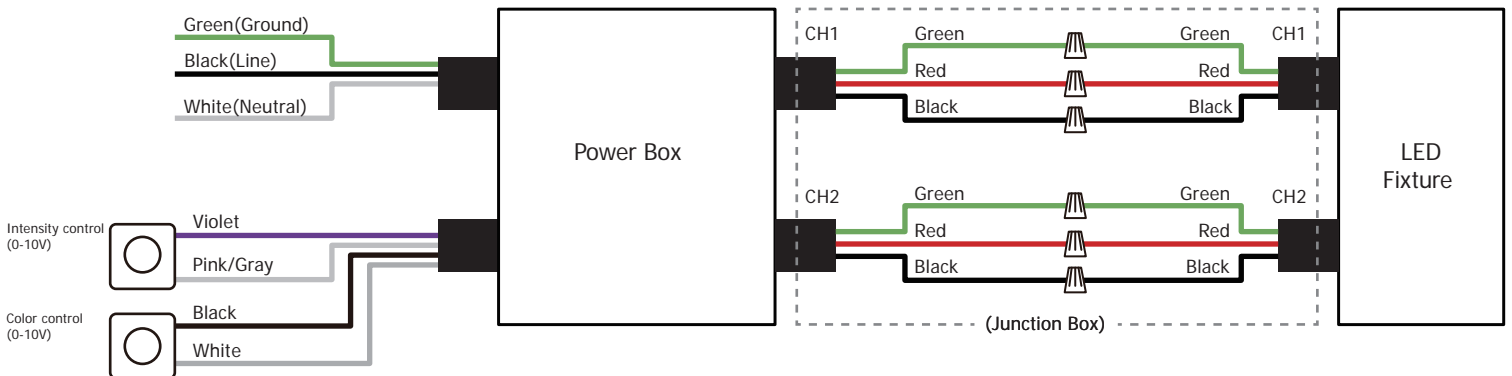


Wiring Diagram

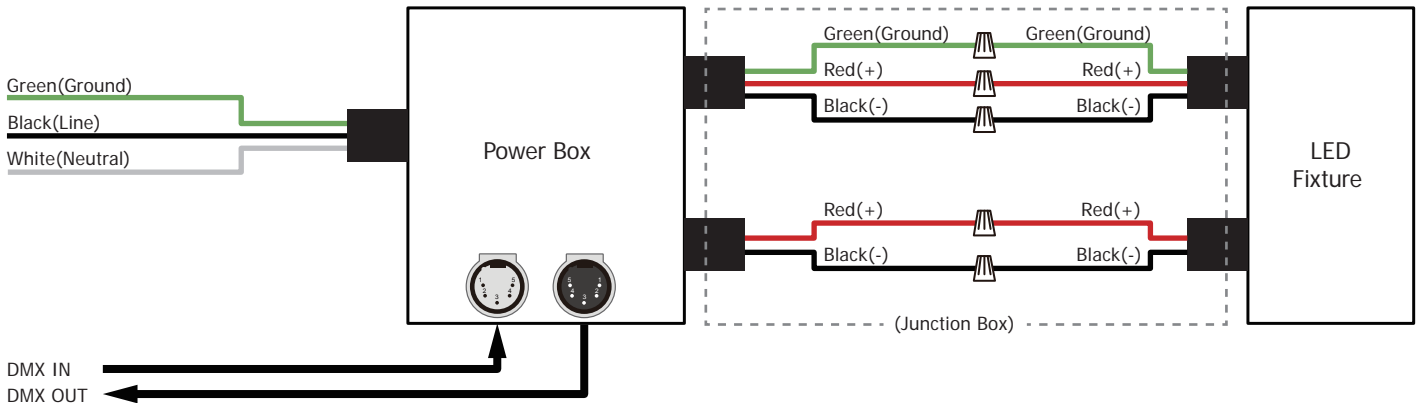
Superior0-10V Tunable White (WS2.0-150)



Superior0-10V Tunable White (WS2.0-300)



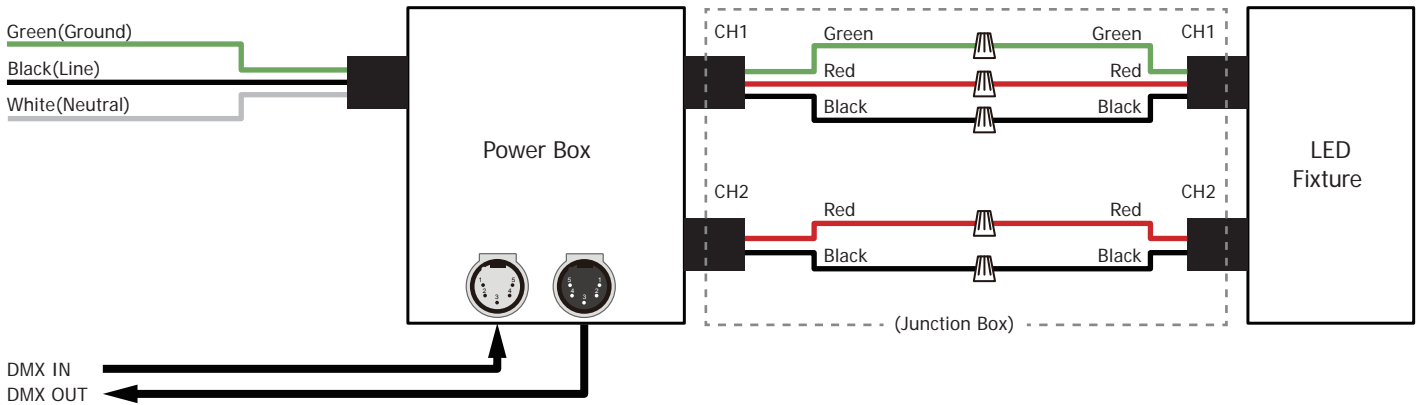
DMX



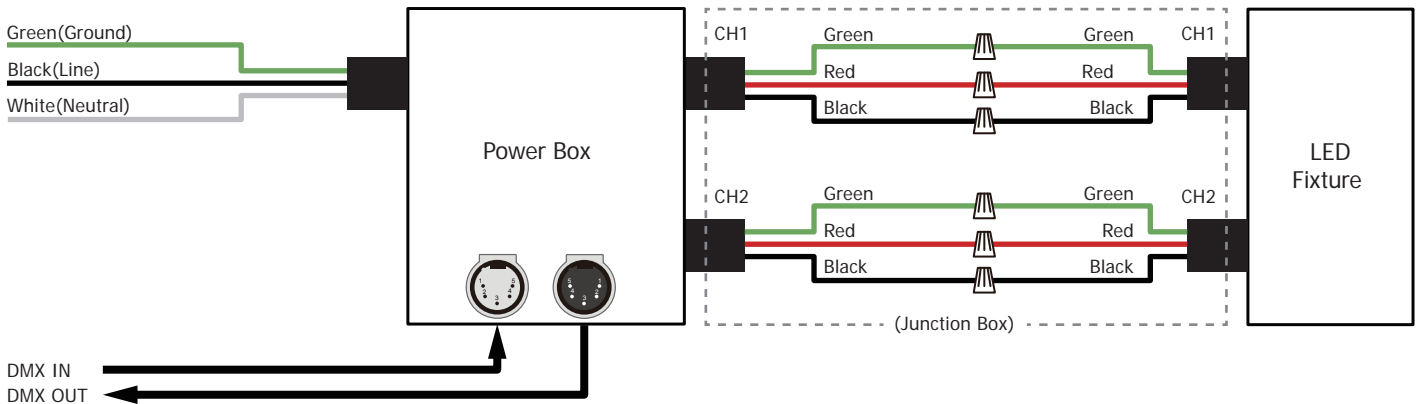
ADVANCED HIGH CEILING Whiz 2.0 - Uplight



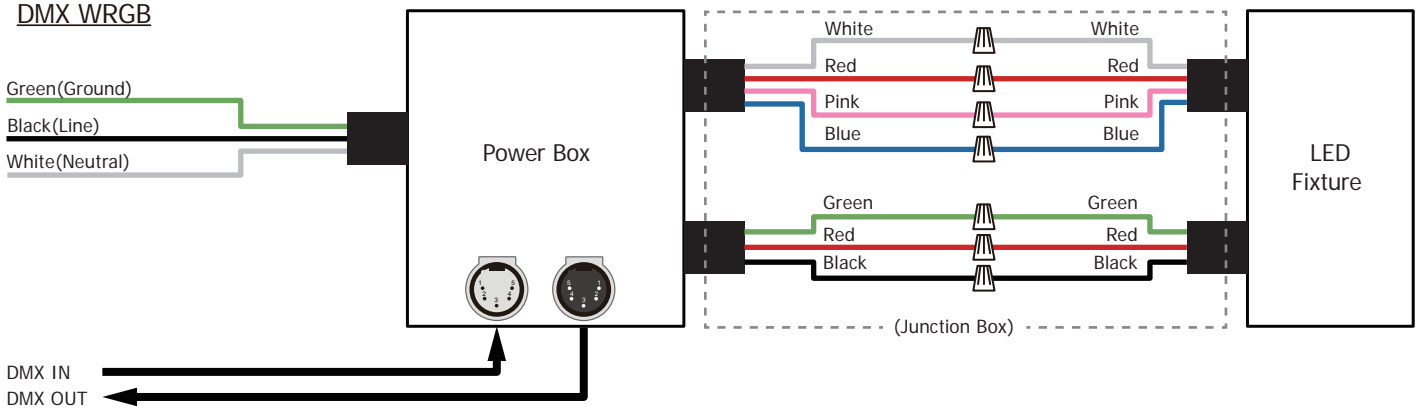
DMX Tunable White (WS2.0-150)



DMX Tunable White (WS2.0-300)



DMX WRGB

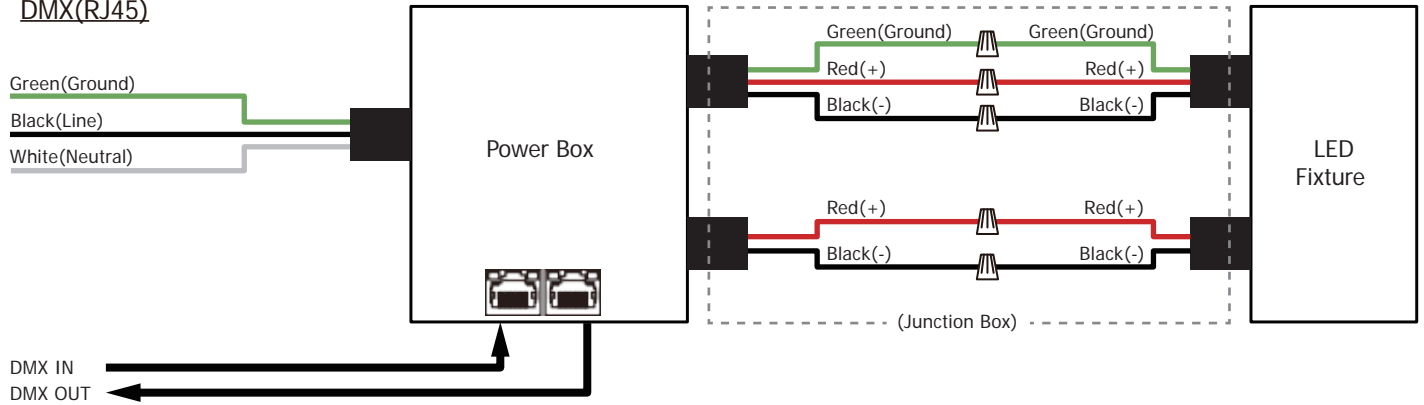


ADVANCED HIGH CEILING Whiz 2.0 - Uplight

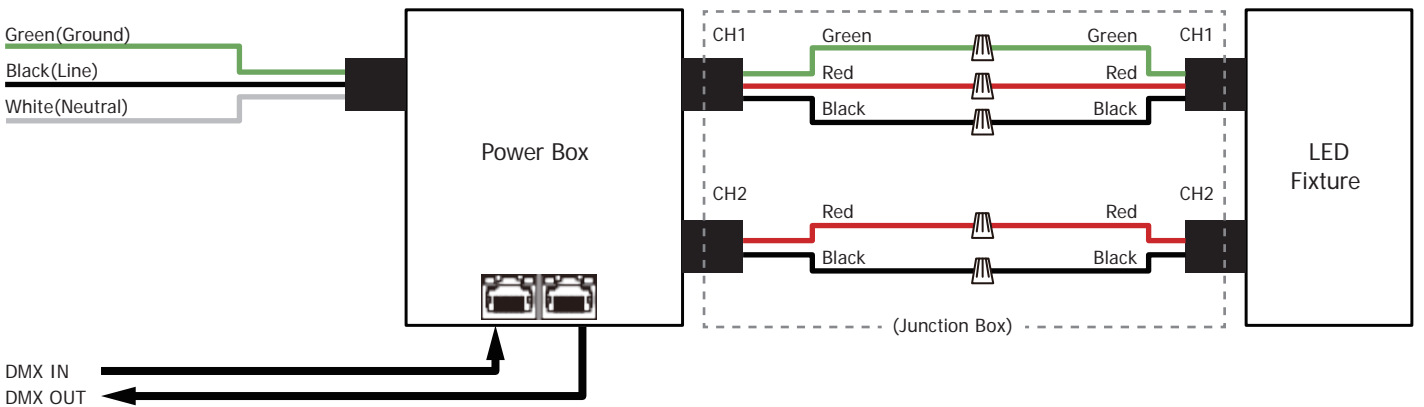


Wiring Diagram

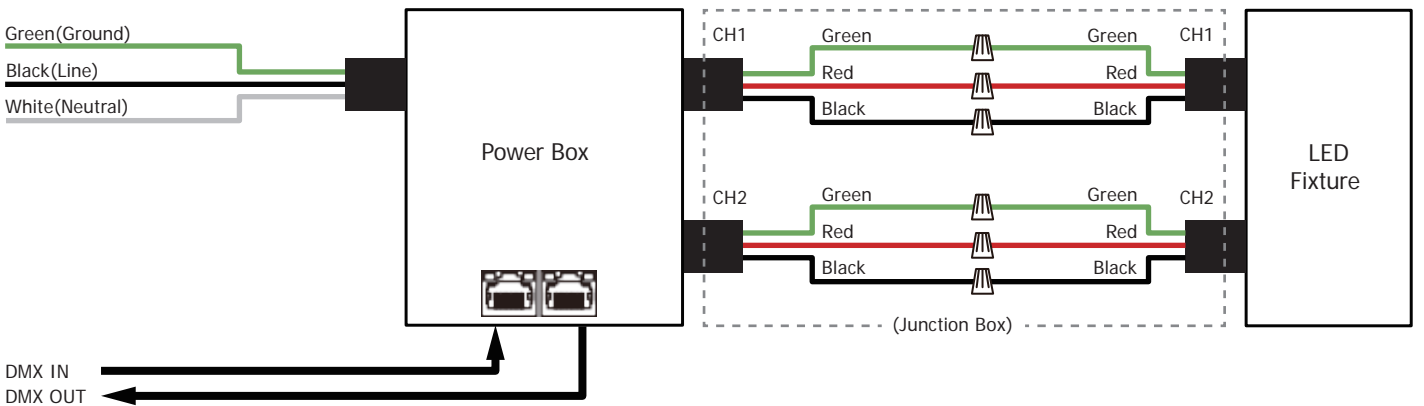
DMX(RJ45)



DMX(RJ45) Tunable White (WS2.0-150)



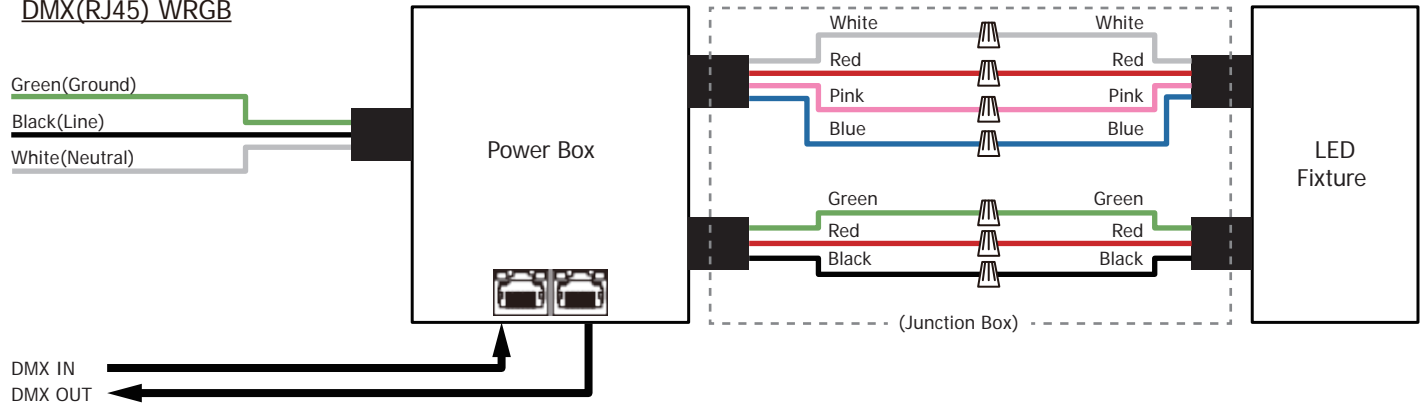
DMX(RJ45) Tunable White (WS2.0-300)



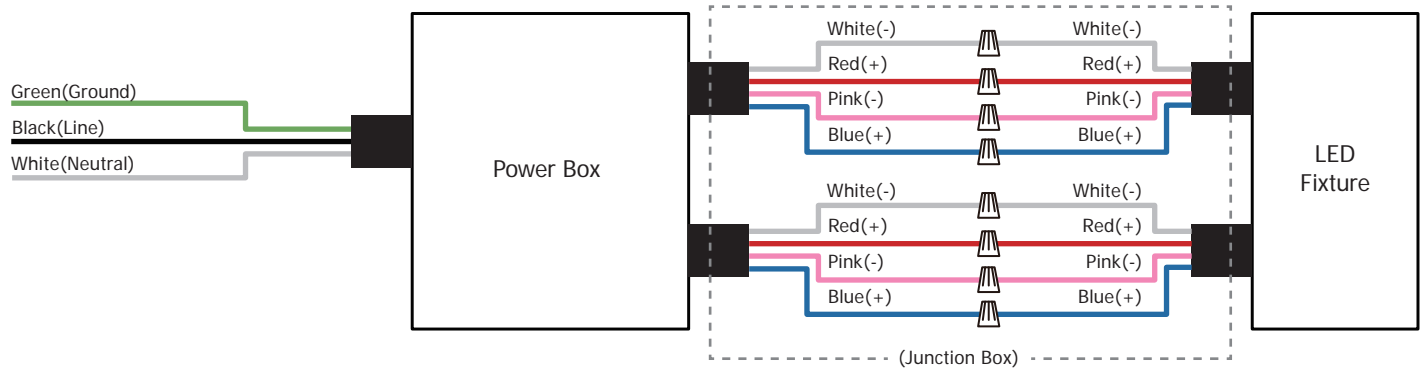
ADVANCED HIGH CEILING Whiz 2.0 - Uplight



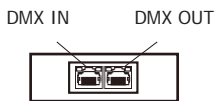
DMX(RJ45) WRGB



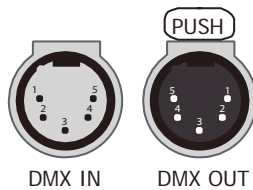
TRC (WS 2.0-120W)



RJ45 Sockets



XLR Sockets



CONNECTION	RJ45 (CAT5e)	5-PIN XLR
Common	WHITE/BROWN(PIN7) & BROWN(PIN 8)	PIN 1
Signal -	ORANGE(PIN 2)	PIN 2
Signal+	WHITE/ORANGE(PIN 1)	PIN 3
Spare	-	PIN 4
Spare	-	PIN 5

*The last fixture has to be terminated with a DMX Terminator (by others).

DMX512 is connected using a daisy-chain methodology where the source connects to the input of the first device, the output of the first device connects to the input of the next device, and so on.