

# WHIZ 2.0

SPECIFICATION SHEET  
TUNABLE WHITE

SLEEK AND ARCHITECTURAL  
HIGH CEILING SOLUTION

## Housing

Diameter : Ø16.24" | Height : 4.4" | Weight : 33 lbs

## Material

Housing : High Pressure Die-Cast Aluminum  
Lens : High transmittance clear tempered glass

## Power Input

150W, 300W | 120-277V, 347-480V

## Lumen Output

20,980 lm (150W), 29,555 lm (300W)

## Dimming

Superior 0-10V : Dims to 1%  
DMX : High resolution dims to 0.1%

## Color Quality

CRI 75, CRI 85

## Rated Life

> 100,000 Hours (L70)

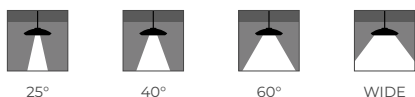
## Finish



## Color Temperature



## Optics



## Warranty

5 Year limited warranty

## Listing



## Designed For The Ones Who Expect The Extraordinary.

The Whiz 2.0 redefines high ceiling design, with a High Bay look that is unlike any other. This architectural fixture is suitable for mounting heights of 30ft and above and delivers high performance as well as clean aesthetics.

The Whiz 2.0 can be configured for both direct and indirect lighting, is available in Wet Location listed ratings, as well as Colorflip™ color-changing technologies.



METEOR

meteor-lighting.com

**SPECIFICATION**

<b>PROJECT NAME</b>	<b>DATE</b>
<input type="text"/>	<input type="text"/>
<b>CATALOG #</b>	<b>QUANTITY</b>
<input type="text"/>	<input type="text"/>

<b>WS2</b>	<b>MODEL</b>	<b>WHIZ 2.0 TUNABLE WHITE</b>		
<input type="text"/>	<b>WATTAGE</b>	<b>150</b> 150W	<b>300</b> 300W	
<b>TNW</b>	<b>CCT / CRI</b>	<b>TNW</b> 3000K-5000K		
<input type="text"/>	<b>VOLTAGE</b>	<b>UNV</b> 120-277V	<b>HVT</b> 347-480V	
<input type="text"/>	<b>DIMMING</b>	<b>SPV</b> Superior 0-10V dims to 1%	<b>DMX</b> DMX dims to 0.1% (XLR Sockets)	<b>DMXR(RJ45)</b> DMX dims to 0.1% (RJ45 Sockets)
<input type="text"/>	<b>BEAM ANGLE</b>	<b>25</b> 25° <b>WD<sup>1</sup></b> Wide (With Diffuser)	<b>40</b> 40°	<b>60</b> 60°
<input type="text"/>	<b>FINISH</b>	<b>BLK</b> Black	<b>WHT</b> White	
<input type="text"/>	<b>MOUNTING</b>	<b>ST2</b> Stem 2ft <b>UP2</b> Uplight Stem 2ft <b>AUP4</b> Adjustable Uplight 4ft	<b>ST4</b> Stem 4ft <b>UP4</b> Uplight Stem 4ft	<b>AD10</b> Adjustable Cable 10ft <b>AUP2</b> Adjustable Uplight 2ft
<input type="text"/>	<b>ACCESSORIES</b>	<b>NO</b> No Accessories <b>WG<sup>4</sup></b> Wire Guard	<b>EMP<sup>2</sup></b> Remote Emergency Pack <b>SNT<sup>5</sup></b> Snoot	<b>DF<sup>3</sup></b> Diffuser <b>GSV<sup>6</sup></b> Glare Shield Visor

<sup>1</sup> Please factor in change in lumen output with WD -20%  
<sup>2</sup> EMP option is not compatible with 300W version or HVT voltage  
<sup>3</sup> Please factor in change in lumen output with diffuser (-20% with WD; -12% with other degrees)  
<sup>4</sup> Please factor in change in lumen output of -14%  
<sup>5</sup> Please factor in change in lumen output of -30%  
<sup>6</sup> Please factor in change in lumen output of -25%

**TECHNICAL DETAILS**

**Electrical**

- 20,980 lm (150W)
- 29,555 lm (300W)
- Power Input: 120-277V, 347-480V
- Operating Temperature: -40°F~112°F
- Surge Protection: Built-in is 4KV
- Emergency Pack with Mounting Plate: Philips Bodine BSL20B2UEK55C111
- Power Factor Greater than 0.9

**LED Features**

- ColorFlip™ Tunable White 3000K ↔ 5000K
- CRI 75, CRI 85
- Long lasting LED luminaire tested under TM21 lumen maintenance L70 @ 100,000 Hrs
- Lumen Maintenance > 0.90 at 60,000 hours

**Optics**

- Beam Angle : 25°, 40°, 60°, WD (With diffuser)

**Advanced Dimming**

- Proprietary VX Driver™ is incorporated to all dimming options for video flicker-free lighting
- Superior 0-10V : Two channel 0-10V, dimming to 1% (1 controls intensity, 1 controls CCT)
- DMX : High resolution dims to 0.1% (Supports ANSI E1.20 RDM protocol)

**Housing**

- Diameter : Ø16.24"
- Height : 4.4"
- Weight : 33 lbs
- Material : High Pressure Die-Cast Aluminum, Tempered Glass

**Mounting**

- Stem Mount 2ft or 4ft
- Adjustable Cable 10ft
- Uplight Mount 2ft, 4ft
- Adjustable Uplight Mount 2ft, 4ft

**Warranty**

- 5-year limited warranty

**Listing**

- ETL Damp Location Listed
- CE
- UKCA
- FCC

**PERFORMANCE SUMMARY\***

ColorFlip™	3000K	3500K	4000K	4500K	5000K
<b>DMX</b> CCT Signal (%)	0%	25%	45%	60%	100%
<b>0-10V</b> CCT Voltage	0	2.5	4.5	6	10
<b>150W</b>	17,165lm	19,070lm	20,980lm	20,805lm	20,630lm
<b>300W</b>	24,100lm	26,830lm	29,555lm	29,545lm	29,540lm
<b>CRI</b>	85	83	82	80	75

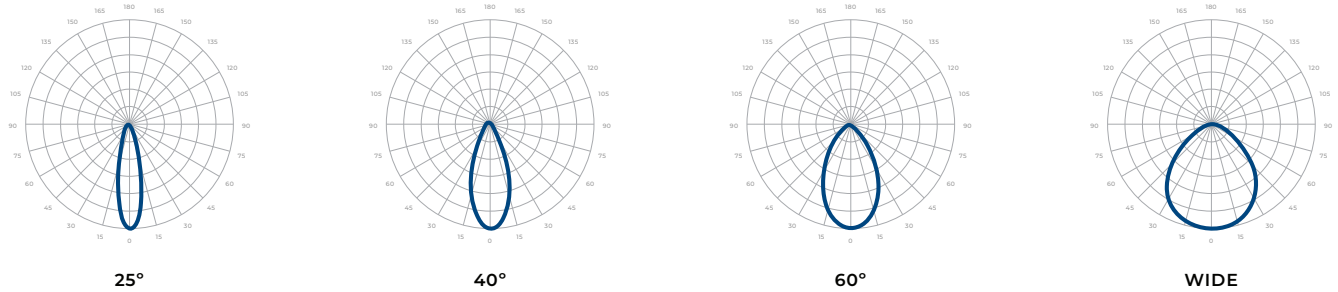
\*Tolerance±8%

Emergency Pack Lumen Output Table	
<b>CCT</b>	4000K
<b>LUMEN</b>	1,980lm

Current Consumption				
WATTAGE / VOLT	120V	277V	347V	480V
<b>150W</b>	1.34A	0.60A	0.48A	0.34A
<b>300W</b>	2.75A	1.19A	0.95A	0.69A

## PHOTOMETRICS

Below is a typical photometric representation of the Whiz 2.0 fixture. Please download IES files to ensure exact photometric value.



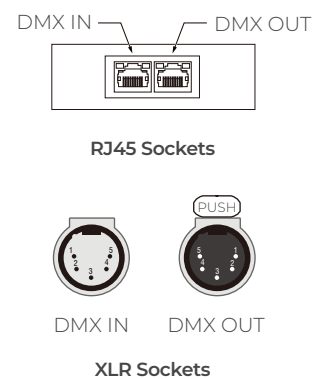
## DMX REQUIREMENTS

The Whiz 2.0 Tunable White fixture with DMX unit has **two channels** per fixture (1 to control intensity, 1 to control color). When placing an order, please indicate DMX address. (The DMX address will be listed on the back of the fixture). Do not connect more than 32 fixtures per DMX daisy chain.

DMX Address		
Fixture	Intensity Control (ex. X)	Color Control (ex. X+1)
#1	1	2
#2	3	4
#3	5	6

The fixture can be connected with RJ45 or XLR sockets. DMX cables **are not** included; please refer to compatible DMX cabling list for more information. The final fixture on each daisy chain should be terminated by the use of a DMX terminator purchased from a 3rd party or from Meteor.

CONNECTION	RJ45 (CAT5e)	5-PIN XLR
Common	WHITE/BROWN(PIN7) & BROWN (PIN 8)	PIN 1
Signal -	ORANGE (PIN 2)	PIN 2
Signal +	WHITE/ORANGE (PIN 1)	PIN 3
Spare	-	PIN 4
Spare	-	PIN 5

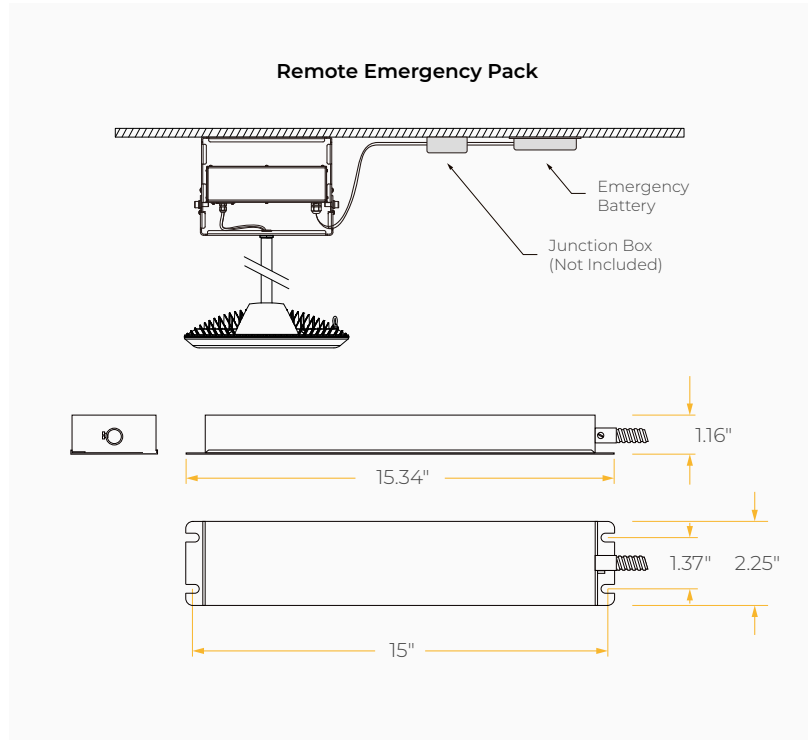
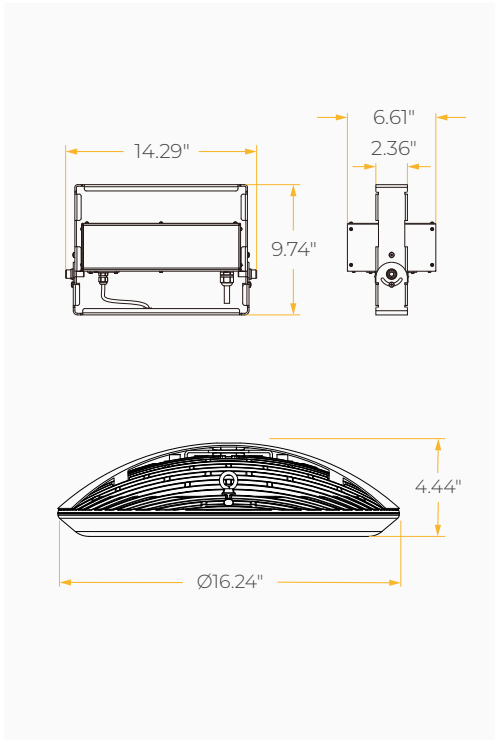


## COMPATIBLE DMX CABLING LIST

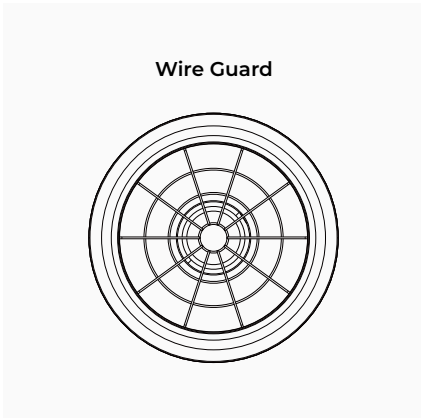
DMX uses a cable consisting of two twisted pairs plus a shield to carry data. The cable must be specifically impedance matched for the digital DMX signal, meaning that microphone cable or other non-rated cable **must not be used to carry DMX**. Network cable (Cat5, 5e or 6 cable) may be used to carry DMX in an installation; however special consideration must be given to shielding and termination. Under no circumstances should solid core cable like Cat5 be terminated into a screw down connector.

Meteor recommends the use of Belden 9729 or Belden 9841 for DMX installation. Belden 9729/9841 is a two pair cable, which allows for a spare pair for 'out and back' type terminations if needed.

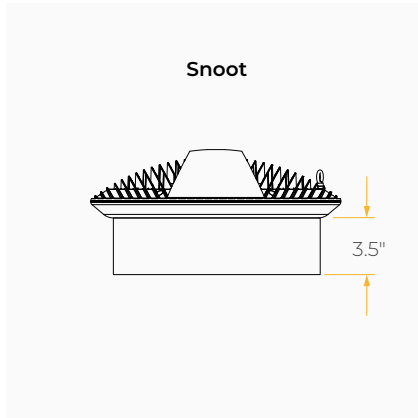
**DIMENSIONS**



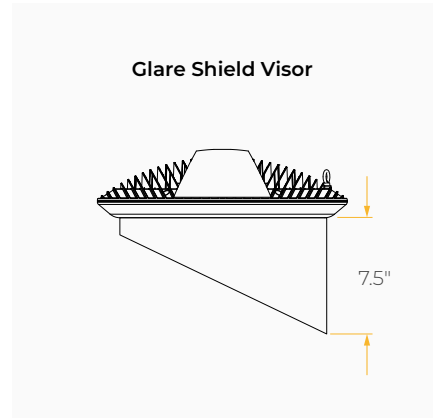
**ACCESSORY**



Wire Guard



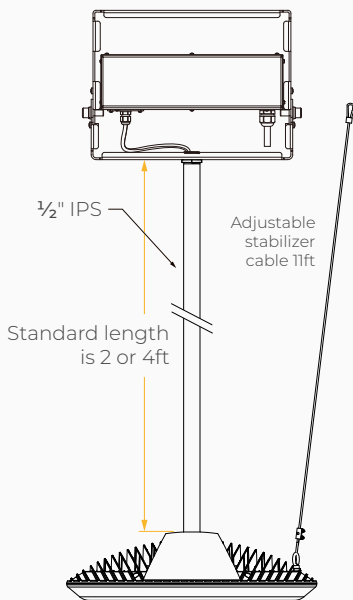
Snoot



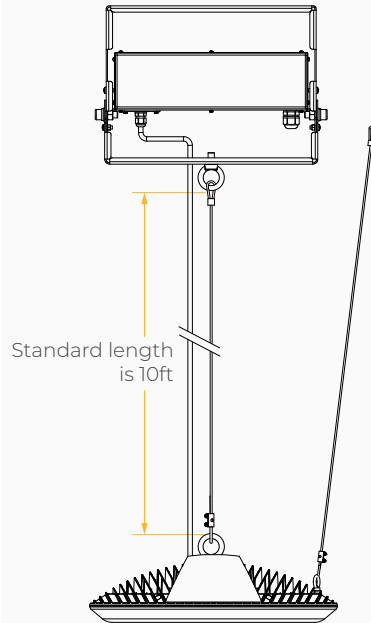
Glare Shield Visor

**MOUNTING OPTIONS**

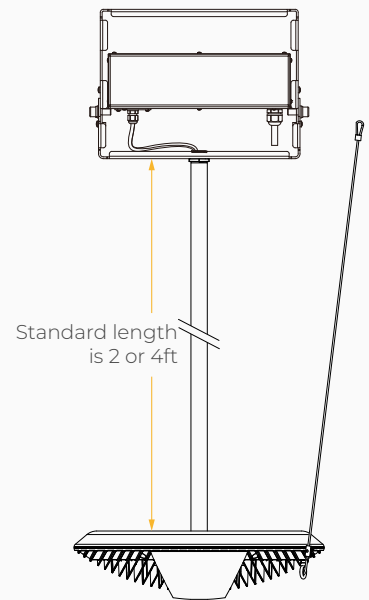
**Stem Mount**



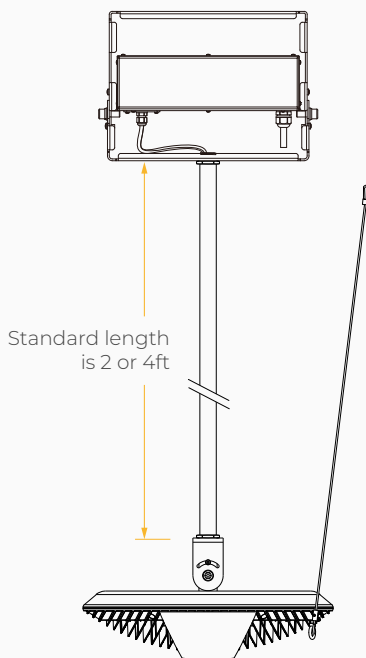
**Adjustable Aircraft Cable**



**Uplight Mount**



**Adjustable Uplight  
(45° Tilt on each side)**



**LED DISTRIBUTION**

---

