

# WHIZ 2.0

SLEEK AND ARCHITECTURAL  
HIGH CEILING SOLUTION

## Housing

Diameter : Ø18.9" | Height : 4.57" | Weight : 36 lbs

## Material

Housing : High Pressure Die-Cast Aluminum  
Lens : High Transmittance Clear Tempered Glass

## Power Input

Downlight : W=150W, RGB=90W | 240W | 120-277V  
Uplight : W=30W, RGB=30W | 60W | 120-277V

## Lumen Output

20,515 lm (300W)

## Dimming

DMX : High resolution dims to 0.1%

## Color Quality

CRI 85

## Rated Life

> 100,000 Hours (L70)

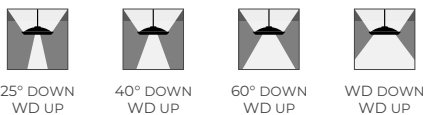
## Finish



## Color Temperature



## Optics



## Warranty

5 Year limited warranty

## Listing



SPECIFICATION SHEET  
BI-DIRECTIONAL - ARCHI-COLOR™ W+RGB

## Redefining High Ceiling Design One More Time

A next leap from our flagship luminaire, the Whiz 2.0. Building on its architectural excellence and high-performance heritage, our latest variation adds an expressive indirect uplight, breathing new life into this award-winning series.

Configure both the uplight and downlight with dynamic color-changing options or white light combinations—all conveniently packaged into a single, integrated solution.



METEOR

[meteor-lighting.com](http://meteor-lighting.com)

**WHIZ 2.0** SLEEK AND ARCHITECTURAL  
HIGH CEILING SOLUTION

**SPECIFICATION**

<b>PROJECT NAME</b>	<b>DATE</b>
<input type="text"/>	<input type="text"/>
<b>CATALOG #</b>	<b>QUANTITY</b>
<input type="text"/>	<input type="text"/>

<input type="text" value="WS2B"/>	<b>MODEL</b>	<b>WHIZ 2.0 BI-DIRECTIONAL</b>		
<input type="text" value="300"/>	<b>WATTAGE</b>	<b>300</b> Downlight: 240W Uplight: 60W		
<input type="text" value="308C"/>	<b>CCT / CRI</b>	<b>308C</b> 3000K / CRI 85 Archi-Color™ W+RGB		
<input type="text" value="UNV"/>	<b>VOLTAGE</b>	<b>UNV</b> 120-277V		
<input type="text"/>	<b>DIMMING</b>	<b>DMX</b> DMX dims to 0.1% (XLR Sockets)	<b>DMXR</b> DMX dims to 0.1% (RJ45 Sockets)	
<input type="text"/>	<b>BEAM ANGLE</b>	<i>Downlight</i>		
		<b>25</b> 25° <b>WD<sup>1</sup></b> Wide (With diffuser)	<b>40</b> 40°	<b>60</b> 60°
<input type="text" value="WD"/>		<i>Uplight</i>		
		<b>WD<sup>1</sup></b> Wide (With diffuser)		
<input type="text"/>	<b>FINISH</b>	<b>BLK</b> Black	<b>WHT</b> White	
<input type="text"/>	<b>MOUNTING</b>	<b>ST2</b> Stem 2ft	<b>ST4</b> Stem 4ft	<b>AD10</b> Adjustable Cable 10ft
<input type="text"/>	<b>ACCESSORIES</b>	<b>NO</b> No Accessories <b>WG<sup>3</sup></b> Wire Guard	<b>EMP</b> Remote Emergency Pack	<b>DF<sup>2</sup></b> Diffuser

<sup>1</sup> Please factor in change in lumen output of -20% with WD.  
<sup>2</sup> Please factor in change in lumen output of -12% with diffuser.  
<sup>3</sup> Please factor in change in lumen output of -14%.

**WHIZ 2.0** SLEEK AND ARCHITECTURAL  
HIGH CEILING SOLUTION

**TECHNICAL DETAILS**

**Electrical**

- 20,515 lm (300W)
- Power Input: 120-277V
- Operating Temperature: -40°F~112°F
- Surge Protection: Built-in is 4KV
- Emergency Pack with Mounting Plate: Philips Bodine BSL20B2UEK55C111
- Power Factor Greater than 0.9

**LED Features**

- Color Temperature: 3000K + Archi-Color™ W+RGB
- CRI 85
- Long lasting LED luminaire tested under TM21 lumen maintenance L70 @ 100,000 Hrs

**Optics**

- Beam Angle Down : 25°, 40°, 60°, WD (With diffuser)  
Beam Angle Up : WD (With diffuser)

**Advanced Dimming**

- Proprietary VX Driver™ is incorporated to all dimming options for video flicker-free lighting
- DMX : High resolution dims to 0.1% (Supports ANSI E1.20 RDM protocol)

**Housing**

- Diameter : Ø18.9"
- Height : 4.57"
- Weight : 36 lbs
- Material : High Pressure Die-Cast Aluminum, Tempered Glass

**Mounting**

- Stem Mount 2ft or 4ft
- Adjustable Cable 10ft

**Warranty**

- 5-year limited warranty

**Listing**

- ETL Damp Location Listed
- CE
- FCC
- UKCA
- IP64

**PERFORMANCE SUMMARY\***

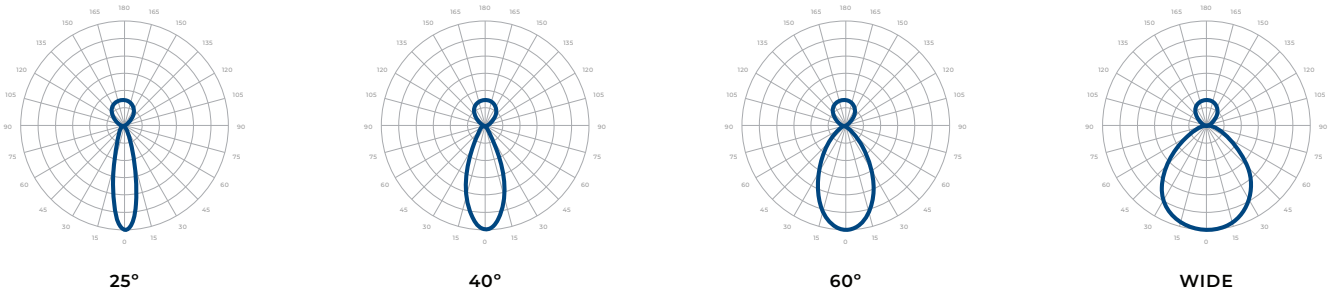
Delivered Lumens				
CCT/WATTAGE	R	G	B	W
<b>240W</b> DOWN	30W	30W	30W	150W
	380lm	3,000lm	365lm	13,765lm
<b>60W</b> UP	10W	10W	10W	30W
	125lm	1,000lm	120lm	2,750lm

Current Consumption		
WATTAGE / VOLT	120V	277V
<b>300W</b>	2.88A	1.26A

\*Beam Angle: 60° \*Tolerance ±8%

## PHOTOMETRICS

Below is a typical photometric representation of the Whiz 2.0 Bi-Directional fixture. Please download IES files to ensure exact photometric value.



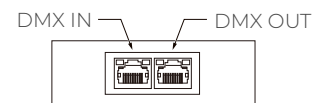
## DMX REQUIREMENTS

The Whiz 2.0 Bi-Directional Archi-Color™ W+RGB fixture with DMX is a **four channel dmx** unit. The downlight and uplight are controlled **together**. When placing an order, please indicate DMX address. (The DMX address will be listed on the back of the fixture). Do not connect more than 32 fixtures per DMX daisy chain.

Fixture	DMX Address			
	Red Control (ex. X)	Green Control (ex. X+1)	Blue Control (ex. X+2)	White Control (ex. X+3)
#1	1	2	3	4
#2	5	6	7	8
#3	9	10	11	12

The fixture can be connected with RJ45 or XLR sockets. DMX cables **are not** included; please refer to compatible DMX cabling list for more information. The final fixture on each daisy chain should be terminated by the use of a DMX terminator purchased from a 3rd party or from Meteor.

CONNECTION	RJ45 (CAT5e)	5-PIN XLR
Common	WHITE/BROWN(PIN7) & BROWN (PIN 8)	PIN 1
Signal -	ORANGE (PIN 2)	PIN 2
Signal +	WHITE/ORANGE (PIN 1)	PIN 3
Spare	-	PIN 4
Spare	-	PIN 5



RJ45 Sockets



DMX IN DMX OUT

XLR Sockets

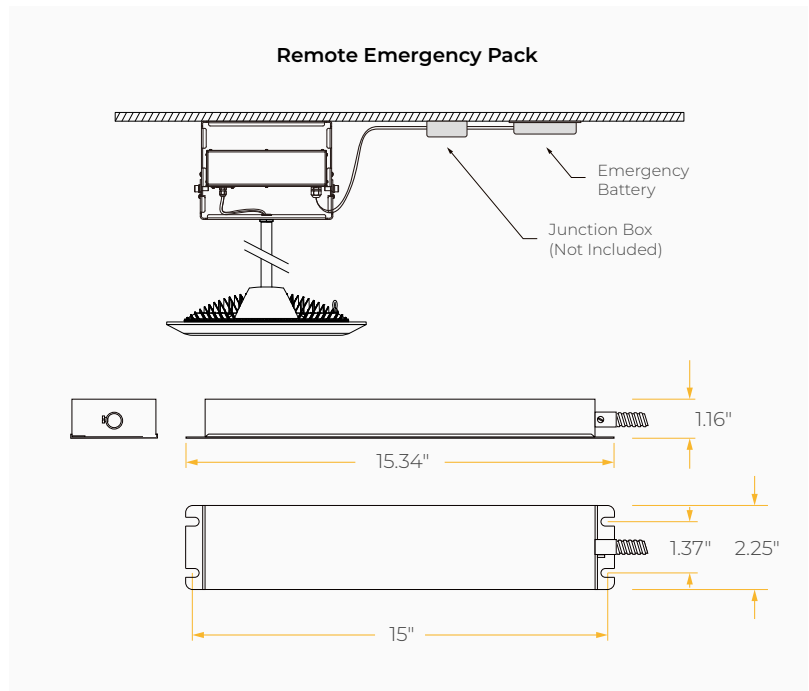
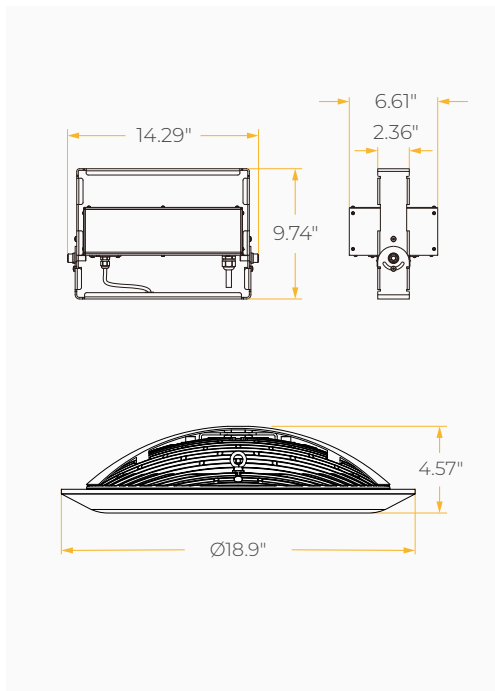
**WHIZ 2.0** SLEEK AND ARCHITECTURAL  
HIGH CEILING SOLUTION

**COMPATIBLE DMX CABLING LIST**

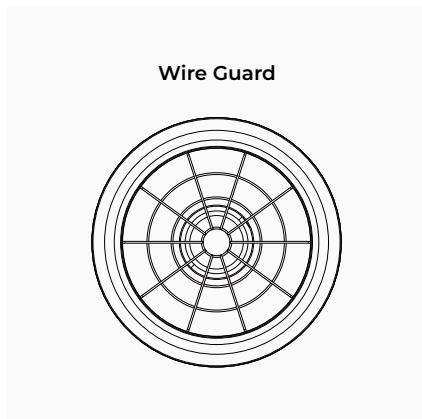
DMX uses a cable consisting of two twisted pairs plus a shield to carry data. The cable must be specifically impedance matched for the digital DMX signal, meaning that microphone cable or other non-rated cable **must not be used to carry DMX**. Network cable (Cat5, 5e or 6 cable) may be used to carry DMX in an installation; however special consideration must be given to shielding and termination. Under no circumstances should solid core cable like Cat5 be terminated into a screw down connector.

Meteor recommends the use of Belden 9729 or Belden 9841 for DMX installation. Belden 9729/9841 is a two pair cable, which allows for a spare pair for 'out and back' type terminations if needed.

**DIMENSIONS**



**ACCESSORY**



**WHIZ 2.0** SLEEK AND ARCHITECTURAL  
HIGH CEILING SOLUTION

**MOUNTING OPTIONS**

