

IMPORTANT SAFETY INFORMATION READ AND FOLLOW ALL SAFETY INSTRUCTIONS

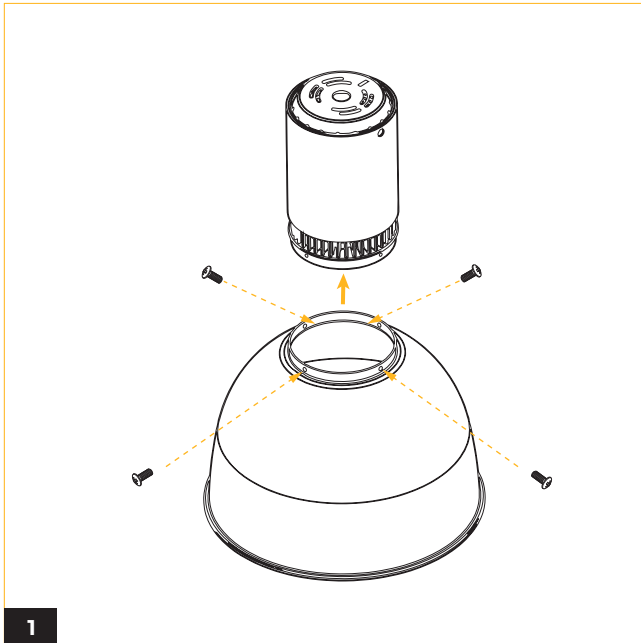
- Before wiring to power supply and during servicing or relamping, turn off power at fuse or circuit breaker.
- All servicing or relamping must be performed by qualified service personnel.
- Product must be grounded to avoid potential electric shock or other potential hazard.
- Product must be installed at locations and heights, in a manner consistent with its intended use, and in compliance with Electrical Code and local codes.

SAVE THESE INSTRUCTIONS FOR FUTURE REFERENCE

INSTALLATION GUIDE

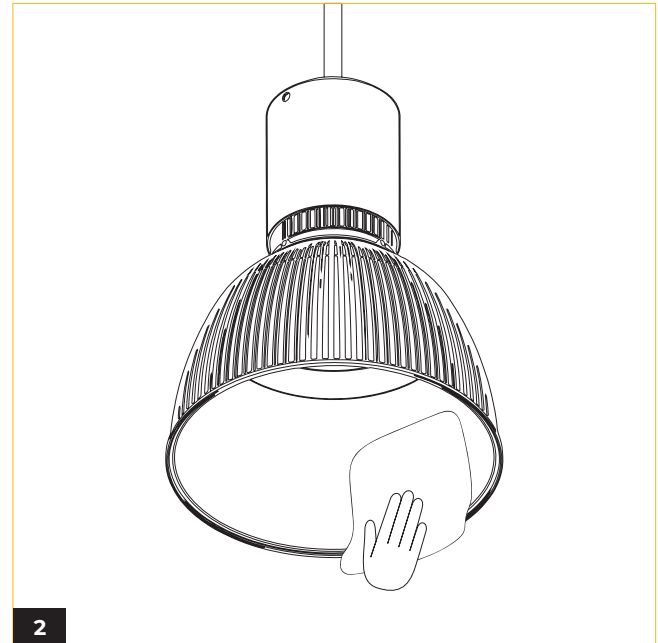
VELA 6 ALUMINUM SHROUD 16", 19", 22"

METEOR



1 Bring up the aluminum shroud to the fixture and align it to the indicated openings and fasten in place with 4 thumb screws.

**Clean gloves must be worn to avoid dirt and fingerprints when installing the shroud and diffuser.*

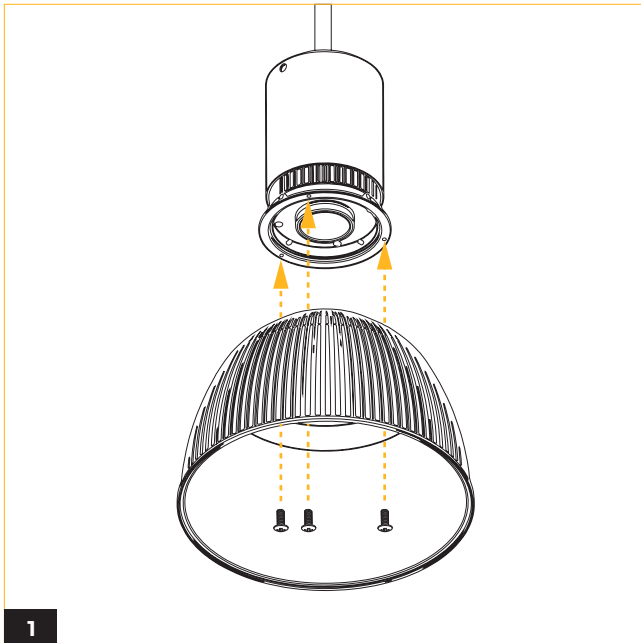


2 Clean the interior and exterior surface using a soft rag with water.

INSTALLATION GUIDE

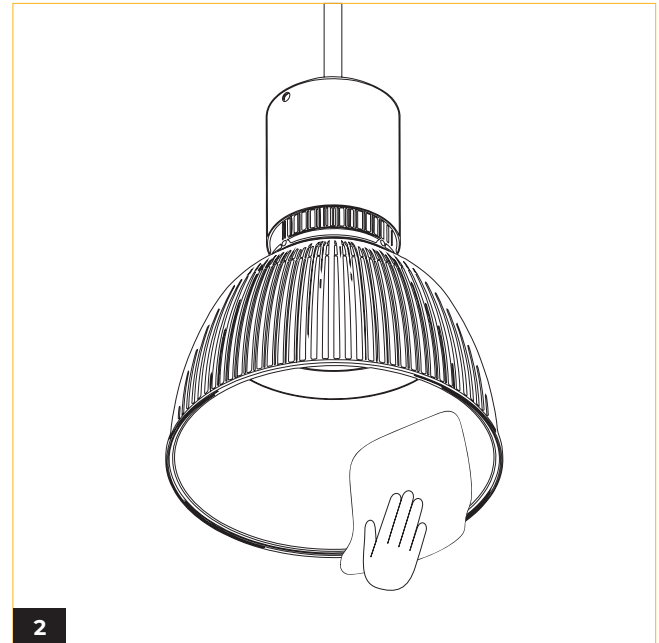
VELA 6 POLYCARBONATE SHROUD 16", 19", 22"

METEOR



Fasten the PC shroud to the fixture by fastening 3 screws from inside the shroud.

**Clean gloves must be worn to avoid dirt and fingerprints when installing the shroud and diffuser.*

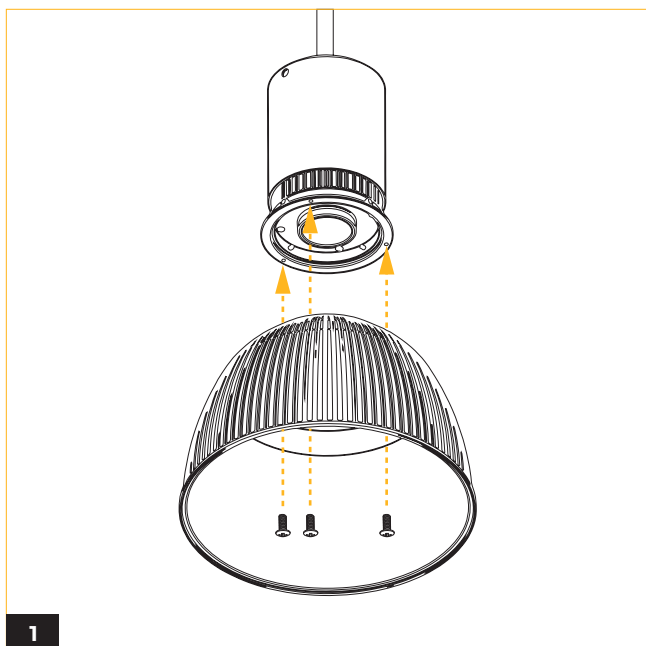


Clean the interior and exterior surface using a soft rag with water.

INSTALLATION GUIDE

VELA 6 OUTDOOR POLYCARBONATE SHROUD 16", 19", 22"

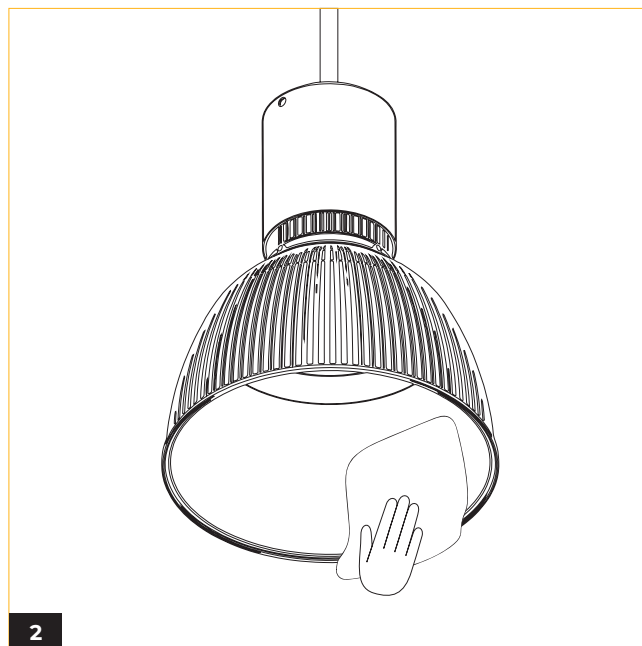
METEOR



1

Fasten the PC shroud to the fixture by fastening 3 screws from inside the shroud.

**Clean gloves must be worn to avoid dirt and fingerprints when installing the shroud and diffuser.*



2

Clean the interior and exterior surface using a soft rag with water.



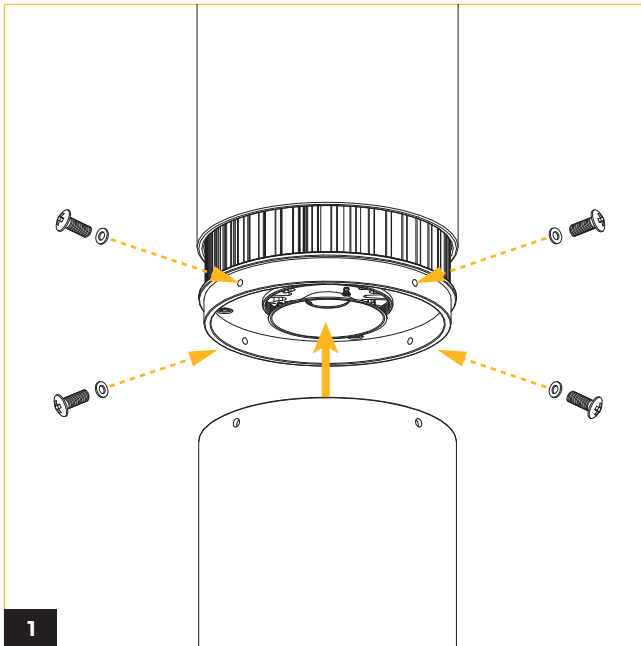
3

Cover the shroud with the conical lens plate and fasten it in place.

INSTALLATION GUIDE

VELA 6 POLYCARBONATE DIFFUSER TRANSLUCENT, CLEAR

METEOR



Bring up the diffuser to the fixture and align it to the indicated openings and fasten in place with 4 thumb screws.

**Clean gloves must be worn to avoid dirt and fingerprints when installing the shroud and diffuser.*



Clean the surface using a soft rag with water.