

VELA 6

SPECIFICATION SHEET
OUTDOOR

HIGH PERFORMING CYLINDER
WITH SHROUD & DIFFUSER OPTIONS

Housing

Diameter : Ø6.4" | Height : 13.6" | Weight : 11.2 lbs

Material

Housing: High Pressure Die-Cast Aluminum Body, PC Shroud

Power Input

50W, 75W, 100W | 120-277V

Lumen Output

4,030 lm (50W), 6,045 lm (75W), 7,655 lm (100W)

Dimming

Standard 0-10V: Dims to 10%

Color Quality

CRI 85

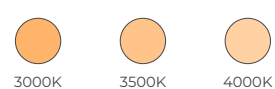
Rated Life

> 100,000 Hours (L70)

Finish



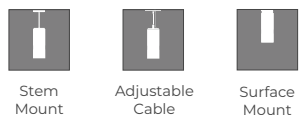
Color Temperature



Optics



Mounting



Warranty

5 Year limited warranty

Listing



All The Performance You Need In One Family

New high performing 6-inch aperture cylinder with lumen output of 3,800 – 7,655 lm.

Available in Aluminum Shrouds, Polycarbonate Shrouds, Translucent Polycarbonate Diffuser or Clear Polycarbonate Diffuser options.

Suitable for general illumination in a wide variety of project applications.



METEOR

meteor-lighting.com

SPECIFICATION

PROJECT NAME	DATE
<input type="text"/>	<input type="text"/>
CATALOG #	QUANTITY
<input type="text"/>	<input type="text"/>

VA6	MODEL	VELA 6		
<input type="text"/>	WATTAGE	50 50W	75 75W	100 100W
<input type="text"/>	CCT / CRI	308 3000K / CRI 85	358 3500K / CRI 85	408 4000K / CRI 85
UNV	VOLTAGE	UNV 120 – 277V		
STV	DIMMING	STV 0-10V dims to 10%		
<input type="text"/>	TYPE	STD Standard Cylinder ALS22 Aluminum Shroud 22" PCS22 Polycarbonate Shroud 22"	ALS16 Aluminum Shroud 16" PCS16 Polycarbonate Shroud 16" TPD Translucent Polycarbonate Diffuser	ALS19 Aluminum Shroud 19" PCS19 Polycarbonate Shroud 19" CPD Clear Polycarbonate Diffuser
<input type="text"/>	FINISH¹	BLK Black	WHT White	
<input type="text"/>	MOUNTING	SUM Surface Mount AD10 Adjustable Cable 10ft	ST2 Stem 2ft SAD10 Sloped Adjustable Cable 10ft	ST4 Stem 4ft
<input type="text"/>	ACCESSORIES	NO No Accessories ADB⁵ Aluminum Diffuser Band	SPD² Surge Protector CT⁶ Conduit Mount	CON^{3,4} Conical Lens
<input type="text"/>	RATING	OUT⁷ Outdoor Rating	NAT⁸ Natatorium Rating	

¹ For image reference, see page 5. For special color requests, please contact your Meteor representative.
² Surge protector for up to 10KV. Applicable for unstable mains or facilities using high-power machineries
³ CON can only be paired with ALS, PCS Types
⁴ Please factor in -15% change in lumen output with conical lens
⁵ Diffuser band comes in the same color as the luminaire and is only available with PCS16
⁶ CT only compatible with ST and AD mounting types
⁷ Outdoor Rating: Coating and wiring will be changed to high UV resistant and corrosion resistant materials for long-term operation in outdoor environments
⁸ Natatorium Rating: Coating and sealant will be changed to high corrosion resistant materials to prevent damage from long-term exposure to chlorine vapors

TECHNICAL DETAILS

Electrical

- 4,030lm (50W), 6,045 lm (75W), 7,655 lm (100W)
- Power Input: Universal (120-277V)
- Operating Temperature: -13°F~112°F
- Surge Protection: Built-in is 4KV

LED Features

- Color Temperature: 3000K, 3500K, 4000K
- CRI ≥ 85
- Long lasting LED luminaire tested under TM21 lumen maintenance L70 @ 100,000 Hrs

Optics

- Beam Angle: 80°

Advanced Dimming

- Proprietary VX Driver™ is incorporated to all dimming options for video flicker-free lighting
- Standard 0-10V dims to 10%

Housing

- Diameter: Ø6.4"
- Material: High Pressure Die-Cast Aluminum, PC Shroud
- Height:
 - Standard - 13.6", Diffuser - 23.1"
 - Shroud 16" - 22.6"
 - Shroud 19" - 23.9"
 - Shroud 22" - 25.4"
- Weight:
 - Standard - 11.2 lbs, Diffuser - 12.6" lbs
 - Aluminum Shroud 16" - 14.1 lbs
 - Aluminum Shroud 19" - 18.1 lbs
 - Aluminum Shroud 22" - 21.4 lbs
 - Polycarbonate Shroud 16" - 13.2 lbs
 - Polycarbonate Shroud 19" - 16.3 lbs
 - Polycarbonate Shroud 22" - 18.3 lbs

Mounting

- Stem Mount 2ft or 4ft
- Adjustable Cable Mount 10ft
- Surface Mount
- Sloped Adjustable Cable Mount 10ft

Warranty

- 5-year limited warranty

Listing

- ETL Damp Location Listed
- FCC
- CE
- IP 65

DELIVERED LUMENS*

STD (Standard)			
CCT/WATTAGE	3000K	3500K	4000K
50W	3,800lm	3,910lm	4,030lm
75W	5,700lm	5,860lm	6,045lm
100W	7,215lm	7,425lm	7,655lm

*Tolerance ±8%

PCS (PC Shroud)			
CCT/WATTAGE	3000K	3500K	4000K
50W	4,445lm	4,570lm	4,715lm
75W	6,665lm	6,860lm	7,070lm
100W	8,440lm	8,685lm	8,955lm

*Tolerance ±8%

DELIVERED LUMENS*

ALS (Aluminum Shroud)			
CCT/WATTAGE	3000K	3500K	4000K
50W	3,910lm	4,030lm	4,165lm
75W	5,865lm	6,045lm	6,250lm
100W	7,430lm	7,655lm	7,915lm

* Tolerance ±8%

TPD (Translucent Polycarbonate Diffuser)			
CCT/WATTAGE	3000K	3500K	4000K
50W	2,330lm	2,400lm	2,480lm
75W	3,500lm	3,600lm	3,720lm
100W	4,440lm	4,570lm	4,710lm

* Tolerance ±8%

CPD (Clear Polycarbonate Diffuser)			
CCT/WATTAGE	3000K	3500K	4000K
50W	3,000lm	3,100lm	3,200lm
75W	4,520lm	4,650lm	4,800lm
100W	5,700lm	5,900lm	6,080lm

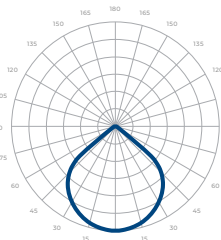
* Tolerance ±8%

Current Consumption		
WATTAGE / VOLT	120V	277V
50W	0.46A	0.20A
75W	0.68A	0.30A
100W	0.92A	0.40A

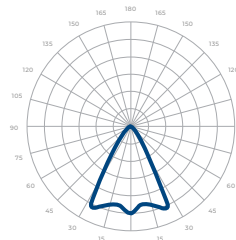
* Tolerance ±8%

PHOTOMETRICS

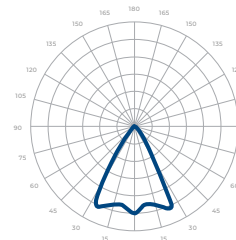
Below is a typical photometric representation of the Vela 6 fixture. Please download IES files to ensure exact photometric value.



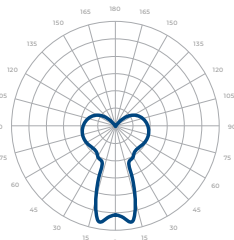
STD (STANDARD)



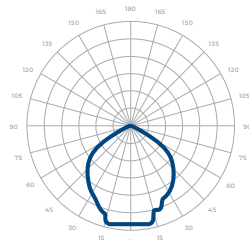
PCS (POLYCARBONATE SHROUD)



ALS (ALUMINUM SHROUD)



TPD (TRANSLUCENT POLYCARBONATE DIFFUSER)



CPD (CLEAR POLYCARBONATE DIFFUSER)

COLOR FINISH

Black Finish



White Finish



ACCESSORIES

Polycarbonate Shroud



Aluminum Shroud



Aluminum Diffuser Band



Aluminum Shroud
With Conical Lens



Clear Polycarbonate Diffuser

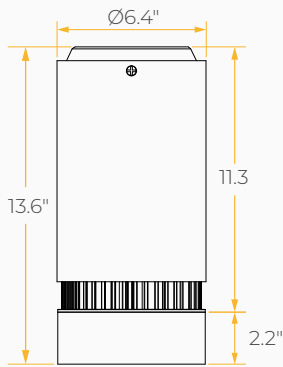


Translucent Polycarbonate Diffuser

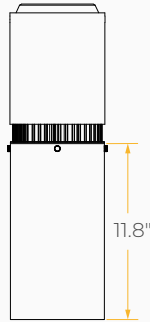


DIMENSIONS

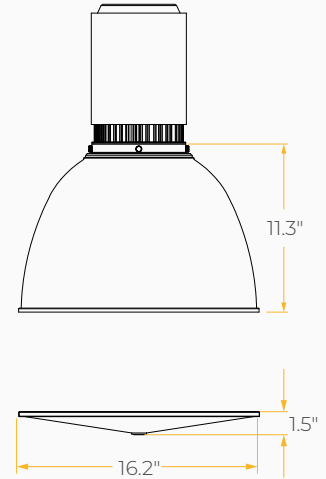
Standard Cylinder



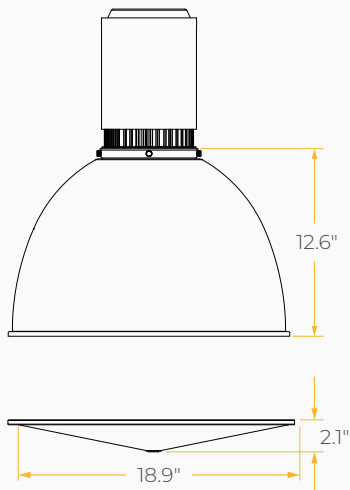
Clear Polycarbonate Diffuser /
Translucent Polycarbonate Diffuser



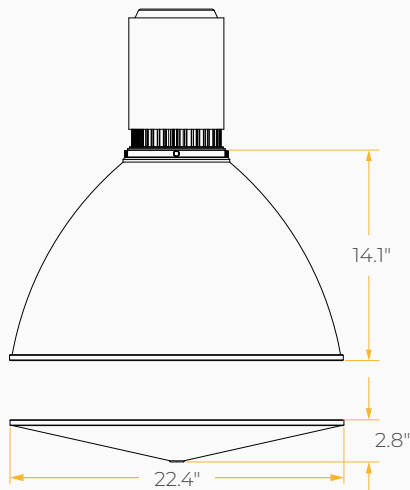
Aluminum Shroud /
Polycarbonate Shroud 16"



Aluminum Shroud /
Polycarbonate Shroud 19"



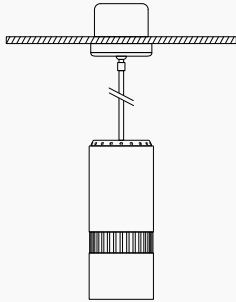
Aluminum Shroud /
Polycarbonate Shroud 22"



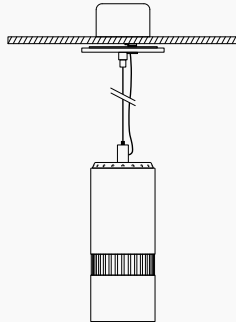
MOUNTING OPTIONS*

**Junction Box not included*

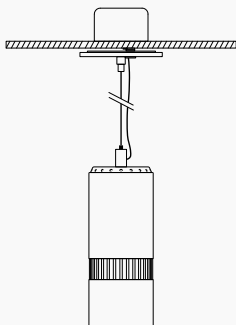
Stem Mount



Adjustable Cable Mount



Sloped Adjustable
Cable Mount



Surface Mount

